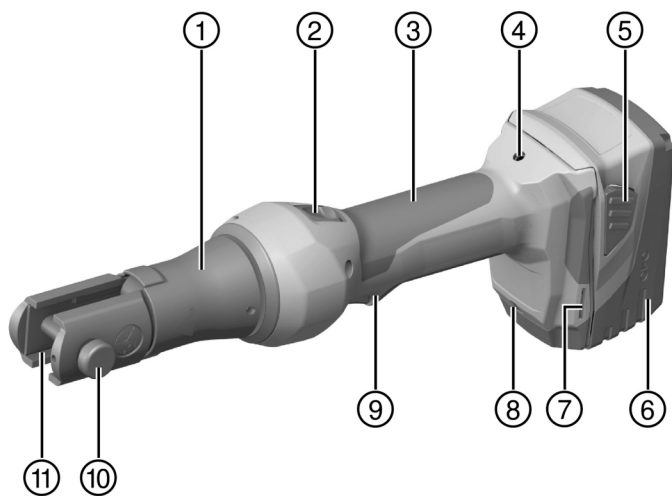
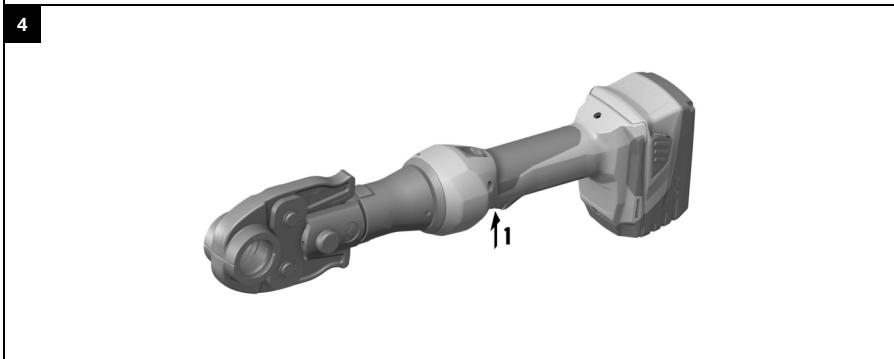
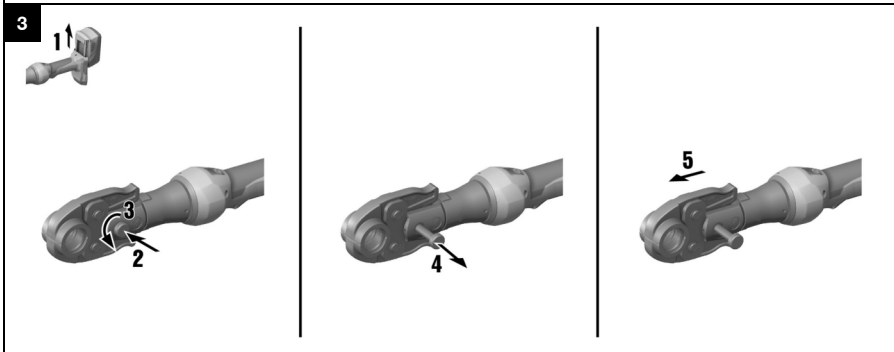
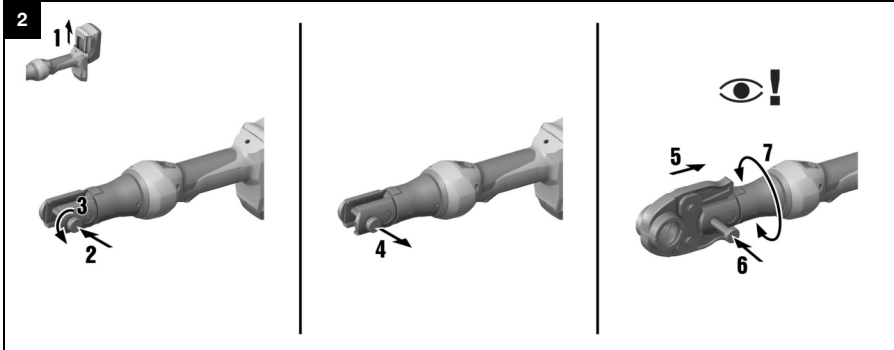




NPR 019 IE-A22 (01)

English	1
Русский	13
日本語	27
한국어	39
繁體中文	50
中文	60





NPR 019 IE-A22

en	Original operating instructions	1
ru	Перевод оригинального руководства по эксплуатации	13
ja	オリジナル取扱説明書	27
ko	오리지널 사용 설명서	39
zh	原始操作說明	50
cn	原版操作说明	60

Original operating instructions

1 Information about the operating instructions

1.1 About these operating instructions

- **Warning!** Read and understand all accompanying documentation, including but not limited to instructions, safety warnings, illustrations, and specifications provided with this product. Familiarize yourself with all the instructions, safety warnings, illustrations, specifications, components, and functions of the product before use. Failure to do so may result in electric shock, fire, and/or serious injury. Save all warnings and instructions for future reference.
- products are designed for professional users and only trained, authorized personnel are permitted to operate, service and maintain the products. This personnel must be specifically informed about the possible hazards. The product and its ancillary equipment can present hazards if used incorrectly by untrained personnel or if used not in accordance with the intended use.
- The accompanying documentation corresponds to the current state of the art at the time of printing. Please always check for the latest version on the product's page on Hilti's website. To do this, follow the link or scan the QR code in this documentation, marked with the symbol
- Ensure that these operating instructions are with the product when it is given to other persons.

1.2 Explanation of symbols

1.2.1 Warnings

Warnings alert persons to hazards that occur when handling or using the product. The following signal words are used:

DANGER

DANGER !

- ▶ Draws attention to imminent danger that will lead to serious personal injury or fatality.

WARNING

WARNING !

- ▶ Draws attention to a potential threat of danger that can lead to serious injury or fatality.

CAUTION

CAUTION !

- ▶ Draws attention to a potentially dangerous situation that could lead to personal injury or damage to the equipment or other property.

1.2.2 Symbols in the operating instructions

The following symbols are used in these operating instructions:

	Comply with the operating instructions
	Instructions for use and other useful information
	Dealing with recyclable materials
	Do not dispose of electric equipment and batteries as household waste
	Hilti Li-ion battery
	Hilti charger

1.2.3 Symbols in illustrations

The following symbols are used in illustrations:

2	These numbers refer to the illustrations at the beginning of these operating instructions.
----------	--



3	The numbering reflects the sequence of operations shown in the illustrations and may deviate from the steps described in the text.
⑪	Item reference numbers are used in the overview illustration and refer to the numbers used in the key in the product overview section.
	These characters are intended to specifically draw your attention to certain points when handling the product.

1.3 Symbols on the product

1.3.1 Product-dependent symbols

The following symbols can be used on the product:

	Risk of crushing injury!
	Direct current (DC)
	The power tool supports near-field communication (NFC) technology, which is compatible with iOS and Android platforms.
Li-ion	Li-ion battery
	Hilti Li-ion battery type series used. Observe the information given in the section headed Intended use .
	Never use the battery as a striking tool.
	Do not drop the battery. Never use a battery that has suffered an impact or is damaged in any other way.
	If applied on the product, the product has been certified by this certification body for the US and Canadian markets according to the applicable standards.

1.4 Product information

HILTI products are designed for professional users and only trained, authorized personnel are permitted to operate, service and maintain the products. This personnel must be specifically informed about the possible hazards. The product and its ancillary equipment can present hazards if used incorrectly by untrained personnel or if used not in accordance with the intended use.

The type designation and serial number are printed on the rating plate.

- ▶ Write down the serial number in the table below. You will be required to state the product details when contacting Hilti Service or your local Hilti organization to inquire about the product.

Product information

Crimping / pressing tool	NPR 019 IE-A22
Generation	01
Serial no.	

1.5 Declaration of conformity

The manufacturer declares, on his sole responsibility, that the product described here complies with the applicable legislation and standards. A copy of the declaration of conformity can be found at the end of this documentation.

The technical documentation is filed here:

Hilti Entwicklungsgesellschaft mbH | Tool Certification | Hiltistrasse 6 | D-86916 Kaufering, Germany

2 Safety

2.1 General power tool safety warnings

⚠ WARNING Read all safety warnings, instructions, illustrations and specifications provided with this power tool. Failure to follow all instructions listed below may result in electric shock, fire and/or serious injury. **Save all warnings and instructions for future reference.**



The term "power tool" in the warnings refers to your mains-operated (corded) power tool or battery-operated (cordless) power tool.

Work area safety

- ▶ **Keep work area clean and well lit.** Cluttered or dark areas invite accidents.
- ▶ **Do not operate power tools in explosive atmospheres, such as in the presence of flammable liquids, gases or dust.** Power tools create sparks which may ignite the dust or fumes.
- ▶ **Keep children and bystanders away while operating a power tool.** Distractions can cause you to lose control.

Electrical safety

- ▶ **Power tool plugs must match the outlet. Never modify the plug in any way. Do not use any adapter plugs with earthed (grounded) power tools.** Unmodified plugs and matching outlets will reduce risk of electric shock.
- ▶ **Avoid body contact with earthed or grounded surfaces, such as pipes, radiators, ranges and refrigerators.** There is an increased risk of electric shock if your body is earthed or grounded.
- ▶ **Do not expose power tools to rain or wet conditions.** Water entering a power tool will increase the risk of electric shock.
- ▶ **Do not abuse the cord. Never use the cord for carrying, pulling or unplugging the power tool. Keep cord away from heat, oil, sharp edges or moving parts.** Damaged or entangled cords increase the risk of electric shock.
- ▶ **When operating a power tool outdoors, use an extension cord suitable for outdoor use.** Use of a cord suitable for outdoor use reduces the risk of electric shock.
- ▶ **If operating a power tool in a damp location is unavoidable, use a residual current device (RCD) protected supply.** Use of an RCD reduces the risk of electric shock.

Personal safety

- ▶ **Stay alert, watch what you are doing and use common sense when operating a power tool. Do not use a power tool while you are tired or under the influence of drugs, alcohol or medication.** A moment of inattention while operating power tools may result in serious personal injury.
- ▶ **Use personal protective equipment. Always wear eye protection.** Protective equipment such as a dust mask, non-skid safety shoes, hard hat or hearing protection used for appropriate conditions will reduce personal injuries.
- ▶ **Prevent unintentional starting. Ensure the switch is in the off-position before connecting to power source and/or battery pack, picking up or carrying the tool.** Carrying power tools with your finger on the switch or energising power tools that have the switch on invites accidents.
- ▶ **Remove any adjusting key or wrench before turning the power tool on.** A wrench or a key left attached to a rotating part of the power tool may result in personal injury.
- ▶ **Do not overreach. Keep proper footing and balance at all times.** This enables better control of the power tool in unexpected situations.
- ▶ **Dress properly. Do not wear loose clothing or jewellery. Keep your hair and clothing away from moving parts.** Loose clothes, jewellery or long hair can be caught in moving parts.
- ▶ **If devices are provided for the connection of dust extraction and collection facilities, ensure these are connected and properly used.** Use of dust collection can reduce dust-related hazards.
- ▶ **Do not let familiarity gained from frequent use of tools allow you to become complacent and ignore tool safety principles.** A careless action can cause severe injury within a fraction of a second.

Power tool use and care

- ▶ **Do not force the power tool. Use the correct power tool for your application.** The correct power tool will do the job better and safer at the rate for which it was designed.
- ▶ **Do not use the power tool if the switch does not turn it on and off.** Any power tool that cannot be controlled with the switch is dangerous and must be repaired.
- ▶ **Disconnect the plug from the power source and/or remove the battery pack, if detachable, from the power tool before making any adjustments, changing accessories, or storing power tools.** Such preventive safety measures reduce the risk of starting the power tool accidentally.
- ▶ **Store idle power tools out of the reach of children and do not allow persons unfamiliar with the power tool or these instructions to operate the power tool.** Power tools are dangerous in the hands of untrained users.
- ▶ **Maintain power tools and accessories. Check for misalignment or binding of moving parts, breakage of parts and any other condition that may affect the power tool's operation. If damaged, have the power tool repaired before use.** Many accidents are caused by poorly maintained power tools.



- ▶ **Keep cutting tools sharp and clean.** Properly maintained cutting tools with sharp cutting edges are less likely to bind and are easier to control.
- ▶ **Use the power tool, accessories and tool bits etc. in accordance with these instructions, taking into account the working conditions and the work to be performed.** Use of the power tool for operations different from those intended could result in a hazardous situation.
- ▶ **Keep handles and grasping surfaces dry, clean and free from oil and grease.** Slippery handles and grasping surfaces do not allow for safe handling and control of the tool in unexpected situations.

Battery tool use and care

- ▶ **Recharge only with the charger specified by the manufacturer.** A charger that is suitable for one type of battery pack may create a risk of fire when used with another battery pack.
- ▶ **Use power tools only with specifically designated battery packs.** Use of any other battery packs may create a risk of injury and fire.
- ▶ **When battery pack is not in use, keep it away from other metal objects, like paper clips, coins, keys, nails, screws or other small metal objects, that can make a connection from one terminal to another.** Shorting the battery terminals together may cause burns or a fire.
- ▶ **Under abusive conditions, liquid may be ejected from the battery; avoid contact. If contact accidentally occurs, flush with water. If liquid contacts eyes, additionally seek medical help.** Liquid ejected from the battery may cause irritation or burns.
- ▶ **Do not use a battery pack or tool that is damaged or modified.** Damaged or modified batteries may exhibit unpredictable behaviour resulting in fire, explosion or risk of injury.
- ▶ **Do not expose a battery pack or tool to fire or excessive temperature.** Exposure to fire or temperature above 130° C (265 °F) may cause explosion.
- ▶ **Follow all charging instructions and do not charge the battery pack or tool outside the temperature range specified in the instructions.** Charging improperly or at temperatures outside the specified range may damage the battery and increase the risk of fire.

Service

- ▶ **Have your power tool serviced by a qualified repair person using only identical replacement parts.** This will ensure that the safety of the power tool is maintained.
- ▶ **Never service damaged battery packs.** Service of battery packs should only be performed by the manufacturer or authorized service providers.

2.2 Additional safety instructions for pressing tools

Personal safety

- ▶ Use the product only if it is in perfect working order.
- ▶ Never tamper with or modify the tool in any way.
- ▶ Never carry out crimping / pressing work on parts of a gas supply network unless express approval has been given by the system supplier for use of this tool in conjunction with specially tested and approved fittings.
- ▶ If you notice oil escaping, cease working with the tool and consult **Hilti Service**. Immediately remove the leaked oil.
- ▶ Check that the locking pin is pushed in all the way and securely engaged.
- ▶ Make sure that there are no foreign objects (e.g. plaster, grit particles, metal cuttings, etc.) in the crimping / pressing jaws and no parts are damaged. Do not continue to use damaged or distorted crimping / pressing jaws!
- ▶ Throughout the crimping / pressing operation, take great care to keep your hands and fingers well clear of the crimping / pressing head.
- ▶ Switch the crimping / pressing tool on only after bringing it to the working position.
- ▶ Always hold the crimping / pressing tool firmly with both hands on the grips provided for the purpose.
- ▶ Keep the retaining strap and the tether clean and dry.
- ▶ **Before starting work, check the crimping / pressing tool and the NPR PM crimping / pressing jaws in accordance with the instructions.** Inadequately tested tools and jaws can lead to substandard crimpings / pressings and are a potential safety risk for the operator. Crimping / pressing tools must undergo inspection by **Hilti service** at the latest every 15,000 crimping / pressing operations and at least once a year. Crimping / pressing jaws must undergo servicing by **Hilti service** at least once a year.
- ▶ After crimping / pressing, pressure-test the tubing system to ensure that it is free of leaks (resulting from misuse of the tool, for example).



Electrical safety

- ▶ Before use of the power tool, all live cables or other items carrying electric voltage within the area in which the user is working are to be switched off. If this is not possible, the corresponding safety precautions for working in proximity to live cables or equipment must be implemented and observed.
- ▶ Before using the crimping / pressing tool, make sure there are no concealed electric cables or gas or water pipes in the working area. External, metallic or electrically live parts can give you an electric shock if you inadvertently damage electric cables or gas or water pipes.
- ▶ Do not crimp live parts. The tool must be considered to be uninsulated and must therefore be used in conjunction with personal protective equipment (protective gloves, protective footwear, protective clothing, etc.) of a type suitable to provide protection for yourself and other persons in the vicinity.

Power tool use and care

- ▶ After approx. 50 consecutive crimping / pressing operations, switch the power tool off and allow it to cool down for about 15 minutes. Overheating can lead to damage to the power tool.

2.3 Careful handling and use of batteries

- ▶ **Comply with the following safety instructions for the safe handling and use of Li-ion batteries.** Failure to comply can lead to skin irritation, severe corrosive injury, chemical burns, fire and/or explosion.
- ▶ Use only batteries that are in perfect working order.
- ▶ Treat batteries with care in order to avoid damage and prevent leakage of fluids that are extremely harmful to health!
- ▶ Do not under any circumstances modify or tamper with batteries!
- ▶ Do not disassemble, crush or incinerate batteries and do not subject them to temperatures over 80 °C (176 °F).
- ▶ Never use or charge a battery that has suffered an impact or been damaged in any other way. Check your batteries regularly for signs of damage.
- ▶ Never use recycled or repaired batteries.
- ▶ Never use the battery or a battery-operated power tool as a striking tool.
- ▶ Never expose batteries to the direct rays of the sun, elevated temperature, sparking, or open flame. This can lead to explosions.
- ▶ Do not touch the battery poles with your fingers, tools, jewelry, or other electrically conductive objects. This can damage the battery and also cause material damage and personal injury.
- ▶ Keep batteries away from rain, moisture and liquids. Penetrating moisture can cause short circuits, electric shock, burns, fire and explosions.
- ▶ Use only chargers and power tools approved for the specific battery type. Read and follow the relevant operating instructions.
- ▶ Do not use or store the battery in explosive environments.
- ▶ If the battery is too hot to touch, it may be defective. Put the battery in a place where it is clearly visible and where there is no risk of fire, at an adequate distance from flammable materials. Allow the battery to cool down. If it is still too hot to touch after an hour, the battery is faulty. Consult **Hilti** Service or read the document entitled "Instructions on safety and use for **Hilti** Li-ion batteries".



Observe the special guidelines applicable to the transport, storage and use of lithium-ion batteries.

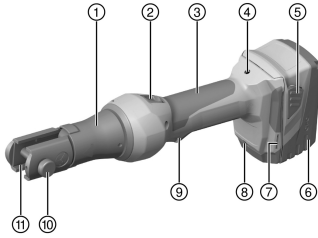


Read the instructions on safety and use of **Hilti** Li-ion batteries that you can access by scanning the QR code at the end of these operating instructions.



3 Description

3.1 Product overview



- ① Crimping / pressing head
- ② Piston return switch to open the crimping / pressing jaws in the event of a fault or emergency
- ③ Casing
- ④ Servicing and fault indicator (red LED)
- ⑤ Battery release button
- ⑥ Battery
- ⑦ Slot on both sides to fasten the **Hilti** retaining leash
- ⑧ White LED to illuminate the working area
- ⑨ Control switch
- ⑩ Locking pin for opening/closing the tool head
- ⑪ Crimping / pressing jaws

3.2 Intended use


The product described is a cordless electro-hydraulic crimping tool. It is designed for crimping fittings used to connect composite, copper (Cu) and steel pipes.

- Use only **Hilti** lithium-ion batteries of the B 22 series with this product.
- Use only **Hilti**-approved battery chargers to charge these batteries. More information is available from your **Hilti Store** or from www.hilti.group

3.3 Lithium-ion battery status display

The charge state of the Li-ion battery and malfunctions of the product are indicated by the indicator of the Li-ion battery. The state of charge of the Li-ion battery is displayed after pressing one of the two battery release buttons.

Status	Meaning
4 LEDs light.	State of charge: 75 % to 100 %
3 LEDs light.	State of charge: 50 % to 75 %
2 LEDs light.	State of charge: 25 % to 50 %
1 LED lights.	State of charge: 10 % to 25 %
1 LED flashes.	State of charge: < 10 %

-  Battery state of charge cannot be displayed while the control switch is pressed and for up to 5 seconds after releasing the control switch. If the LEDs of the charge state indicator flash, follow the instructions in the 'Troubleshooting' section.

3.4 Items supplied

Crimping / pressing tool, operating instructions.
Other system products approved for use with this product can be found at your local **HILTI STORE** or online at: www.hilti.group

4 Technical data

	NPR 019 IE-A22
Rated voltage	21.6 V
Weight in accordance with EPTA Procedure 01 including batteryB22/8.0	2.7 kg
Crimping time	≈ 4 s
Max. crimping force	19 kN



	NPR 019 IE-A22
Storage temperature	-20 °C ... 70 °C
Ambient temperature for operation	-17 °C ... 60 °C

4.1 Noise information and vibration values in accordance with EN 62841

The sound pressure and vibration values given in these instructions were measured in accordance with a standardized test and can be used to compare one power tool with another. They can also be used for a preliminary assessment of exposure.

The data given represent the main applications of the power tool. However, if the power tool is used for different applications, with different accessory tools, or is poorly maintained, the data can vary. This can significantly increase exposure over the total working period.

An accurate estimation of exposure should also take into account the times when the tool is switched off, or when it is running but not actually being used for a job. This can significantly reduce exposure over the total working period.

Identify additional safety measures to protect the operator from the effects of noise and/or vibration, for example: maintaining the power tool and accessory tools, keeping the hands warm, organization of work patterns.

Noise values

Sound (power) level (L_{WA})	80 dB(A)
Uncertainty for the sound power level (K_{WA})	2.5 dB(A)
Emission sound pressure level (L_{pA})	70 dB(A)
Uncertainty for the sound pressure level (K_{pA})	2.5 dB(A)

Vibration values

Total vibration (during operation) (a)	2.5 m/s ²
Uncertainty (K)	1.5 m/s ²

4.2 Battery

Battery operating voltage	21.6 V
Ambient temperature	-17 °C ... 60 °C
Storage temperature	-20 °C ... 40 °C

5 Preparations at the workplace

WARNING

Risk of injury by inadvertent starting!

- ▶ Before inserting the battery, make sure that the product is switched off.
- ▶ Remove the battery before making any adjustments to the power tool or before changing accessories.

Observe the safety instructions and warnings in this documentation and on the product.

5.1 Charging the battery

1. Before charging the battery, read the operating instructions for the charger.
2. Make sure that the contacts on the battery and the contacts on the charger are clean and dry.
3. Use an approved charger to charge the battery. 6

5.2 Inserting the battery

WARNING

Risk of injury by short circuit or falling battery!

- ▶ Before inserting the battery, make sure that the contacts on the battery and the contacts on the product are free of foreign matter.
- ▶ Make sure that the battery always engages correctly.



1. Charge the battery fully before using it for the first time.
2. Push the battery into the product until it engages with an audible click.
3. Check that the battery is seated securely.

5.3 Removing the battery


1. Press the battery release buttons.
2. Remove the battery from the tool.

5.4 Fall arrest

WARNING


Risk of injury by falling tool and/or accessory!

- ▶ Use only the **Hilti** tool tether recommended for your product.
- ▶ Prior to each use, always check the attachment point of the tool tether for possible damage.

 Comply with the national regulations for working at heights.

As drop arrester for this product, use only a combination of the **Hilti** retaining strap #2293133 and the **Hilti** tool tether #2261970.

- ▶ Secure the retaining strap to the installation openings for accessories. Check that it holds securely.
- ▶ Secure one carabiner of the tool tether to the retaining strap and secure the second carabiner to a load-bearing structure. Check that both carabiners hold securely.

 Comply with the operating instructions of the **Hilti** retaining strap and those of the **Hilti** tool tether.

5.5 Inserting the crimping / pressing jaws

CAUTION


Risk of injury! The accessory tool may be hot and/or have sharp edges.

- ▶ Wear protective gloves when changing the accessory tool.
- ▶ Never lay down a hot accessory tool on a flammable surface.


WARNING

Risk of injury! Unintentional starting.

- ▶ Remove the battery before fitting, changing or removing the crimping / pressing jaws.

 Never operate the product without the crimping / pressing jaws installed!
To ensure correct crimping / pressing and reliable and safe operation, use only the crimping / pressing jaws approved by the system provider and/or machine manufacturer.

1. Remove the battery and select the appropriate crimping / pressing jaws.
2. Press the locking pins.
3. Rotate the locking pins counterclockwise as far as they will go.
4. Pull out the locking pins.
5. Insert the crimping / pressing jaws.
6. Push the locking pins in until they engage.
7. Rotate the crimping / pressing head to the desired working position.

 The crimping / pressing head can be rotated much more easily when not under pressure.



5.6 Removing the crimping / pressing jaws 3

WARNING

Risk of injury! Unintentional starting.

- ▶ Remove the battery before fitting, changing or removing the crimping / pressing jaws.

1. Remove the battery and rotate the crimping / pressing head into the outset position.
2. Press the locking pins.
3. Rotate the locking pins counterclockwise as far as they will go.
4. Pull out the locking pins.
5. Work the crimping jaws forward and out of the product.

6 Operation

Observe the safety instructions and warnings in this documentation and on the product.

6.1 Crimping / pressing 4

DANGER

Electric shock hazard! Working in adverse outdoor conditions can cause electric shocks and/or short circuits.

- ▶ Never work on electrically live lines while a thunderstorm is in progress.
- ▶ Call a halt to work immediately whenever weather conditions impair the insulation characteristics, vision or movement of the workers.

WARNING

Risk of injury due to oil escaping under high pressure! Oil escaping under high pressure can injure the skin and the eyes.

- ▶ Do not use the pressing tool if damage is visible.
- ▶ Do not use the pressing tool if oil escapes.
- ▶ Make sure that the piston retracts after every pressing operation.
- ▶ If the piston does not retract after the pressing operation, press the reset button for manual retraction.

WARNING

Danger! Risk of causing gas leakage when carrying out crimping / pressing work on parts of a gas supply network!

- ▶ Never carry out crimping / pressing work on parts of a gas supply network unless express approval has been given by the system supplier for use of this tool in conjunction with specially tested and approved fittings.

WARNING

Risk of injury due to flying fragments! Flying fragments present a risk of injury to the eyes and body.

- ▶ Wear eye protection and protective gloves.
- ▶ Use suitable connecting material in combination with the correct pressing rings and pressing / adapter jaws.
- ▶ Before and during the pressing operation, make sure that the pressing rings and pressing / adapter jaws are correctly positioned.

CAUTION


Damage to property due to incorrect handling! Incorrect handling can result in damage to the pressing tool and/or the pressing rings.

- ▶ Before starting work, make sure that the pressing rings are dust-free.
- ▶ Before starting work, lubricate the pressing rings and - if present - the rolling actuator with lubricant and corrosion-inhibiting spray (#308976).
- ▶ Comply with the original operating instructions of the manufacturer.



- i** In order to achieve a tight, durable crimped / pressed joint, it is essential that the crimping / pressing jaws reach the fully closed position, thus indicating completion of the crimping / pressing operation. If the crimping / pressing operation is ended prematurely, the fitting must be removed or, if possible, recrimped / repressed.

- i** In cold weather the hydraulic oil can thicken and slow the crimping / pressing operation. Perform 5 to 10 empty crimping / pressing operations to heat up the crimping / pressing tool.

1. Insert the crimping / pressing jaws.  8
2. Squeeze the legs of the pressing jaws together.
 - ▶ The pressing jaw opens.
3. Enclose the fitting to be installed in the pressing jaw.
4. Press and hold down the control switch until the piston retracts.
 - ▶ The pressing operation is completed successfully.

7 Care and maintenance

WARNING

Risk of injury if service not performed !

- ▶ Servicing is required after 15,000 cycles or 1 year and must be performed by an authorized Hilti Service Center. Neglecting regular servicing can lead to serious safety risks for the operator and/or to faulty pressings.

WARNING

Risk of injury with battery inserted !

- ▶ Always remove the battery before carrying out care and maintenance tasks!

Care of the product

- Carefully remove stubborn dirt.
- Carefully clean the air vents, if present, with a dry, soft brush.
- Use only a slightly damp cloth to clean the housing. Do not use cleaning agents containing silicone as these can attack the plastic parts.
- Use a dry, clean cloth to clean the contacts of the product.

Care of the Li-ion batteries

- Never use a battery with clogged air vents. Clean the air vents carefully using a dry, soft brush.
- Avoid unnecessary exposure of the battery to dust and dirt. Never expose the battery to high levels of moisture (e.g. by being dipped in water or left in the rain).
If a battery has been soaked by moisture, treat it as a damaged battery. Isolate it in a non-flammable container and consult **Hilti Service**.
- Keep the battery free of extraneous oil and grease. Do not permit dust or dirt to accumulate unnecessarily on the battery. Clean the battery with a dry, soft brush or a clean, dry cloth. Do not use cleaning agents containing silicone as these can attack the plastic parts.
Do not touch the contacts of the battery and do not remove the factory-applied grease from the contacts.
- Use only a slightly damp cloth to clean the housing. Do not use cleaning agents containing silicone as these can attack the plastic parts.

Maintenance

WARNING

Danger of electric shock! Improper repairs to electrical components may lead to serious injuries including burns.

- ▶ Repairs to the electrical section of the tool or appliance may be carried out only by trained electrical specialists.
-
- Check all visible parts and controls for signs of damage at regular intervals and make sure that they all function correctly.
 - Do not use the product if signs of damage are found or if parts malfunction. Immediately have the product repaired by **Hilti Service**.



- After cleaning and maintenance, install all guards and protective devices and check that they are in full working order.



To help ensure safe and reliable operation, use only genuine Hilti spare parts, consumables and accessories. Spare parts, consumables and accessories approved by Hilti for use with your product can be found at your **Hilti Store** or online at: www.hilti.group

8 Transport and storage of cordless tools and batteries

Transport

CAUTION

Accidental starting during transport !

- ▶ Always transport your products with the batteries removed!
- ▶ Remove the battery/batteries.
- ▶ Never transport batteries loose and unprotected. During transport, batteries should be protected from excessive shock and vibration and isolated from any conductive materials or other batteries that may come in contact with the terminals and cause a short circuit. **Comply with the locally applicable regulations for transporting batteries.**
- ▶ Do not send batteries through the mail. Consult your shipper for instructions on how to ship undamaged batteries.
- ▶ Prior to each use and before and after prolonged transport, check the product and the batteries for damage.

Storage

WARNING

Accidental damage caused by defective or leaking batteries !

- ▶ Always store your products with the batteries removed!
- ▶ Store the product and the batteries in a cool and dry place. Comply with the temperature limits stated in the technical data.
- ▶ Do not store batteries on the charger. Always remove the battery from the charger when the charging operation has completed.
- ▶ Never leave batteries in direct sunlight, on sources of heat, or behind glass.
- ▶ Store the product and batteries where they cannot be accessed by children or unauthorized persons.
- ▶ Prior to each use and before and after prolonged storage, check the product and the batteries for damage.

9 Troubleshooting

If the trouble you are experiencing is not listed in this table or you are unable to rectify the problem by yourself, please contact **Hilti Service**.

9.1 The crimping / pressing tool is not in working order.

Malfunction	Possible cause	Action to be taken
The LEDs on the battery indicate nothing.	The battery is not correctly inserted.	▶ Push the battery in until it engages with a double click.
	Battery is discharged.	▶ Change the battery and charge the empty battery.
	The battery is too hot or too cold.	▶ Allow the battery to cool down or to warm up to room temperature.
1 LED on the battery blinks.	Battery is discharged.	▶ Change the battery and charge the empty battery.
	The battery is too hot or too cold.	▶ Allow the battery to cool down or to warm up to room temperature.
4 LEDs on the battery blink.	Product momentarily overloaded.	▶ Allow the product to cool down.



Malfunction	Possible cause	Action to be taken
Red LED => lights continuously and a warning tone is emitted.	Technical problem.	▶ Incorrect operation is possible! Contact Hilti Service .
Red LED => blinks at short intervals and a warning tone is emitted.	The state of charge of the battery is too low to allow a complete operating cycle.	▶ Change the battery and charge the empty battery.
Red LED => lights briefly and no warning tone is emitted.	Product overheated.	▶ Allow the product to cool down.

9.2 The crimping / pressing tool is in working order.

Trouble or fault	Possible cause	Action to be taken
The battery runs down more quickly than usual.	Very low ambient temperature.	▶ Allow the battery to warm up slowly to room temperature.
The battery does not engage with an audible double click.	The retaining lugs on the battery are dirty.	▶ Clean the retaining lugs and refit the battery.
Red LED => blinks at long intervals and a warning tone is emitted.	Crimping / pressing pressure not achieved (tool was used incorrectly).	▶ Make sure that the tool is used correctly and check the crimping / pressing if unsure.
Red LED => lights continuously and a warning tone is emitted.	Technical problem.	▶ Incorrect operation is possible! Contact Hilti Service .
Red LED => lights continuously and no warning tone is emitted.	Product maintenance necessary.	▶ Contact Hilti Service .

10 Disposal



WARNING

Risk of injury due to incorrect disposal! Health hazards due to escaping gases or liquids.

- ▶ DO NOT send batteries through the mail!
- ▶ Cover the terminals with a non-conductive material (such as electrical tape) to prevent short circuiting.
- ▶ Dispose of your battery out of the reach of children.
- ▶ Dispose of the battery at your **Hilti Store**, or consult your local governmental garbage disposal or public health and safety resources for disposal instructions.

Most of the materials from which **Hilti** products are manufactured can be recycled. The materials must be correctly separated before they can be recycled. In many countries, your old tools, machines or appliances can be returned to **Hilti** for recycling. Ask **Hilti Service** or your Hilti sales representative for further information.



- ▶ Do not dispose of power tools, electronic equipment or batteries as household waste!

11 RoHS (Restriction of Hazardous Substances)

Click on the link to go to the table of hazardous substances: qr.hilti.com/r7794691.

There is a link to the RoHS table, in the form of a QR code, at the end of this document.

12 Manufacturer's warranty

- ▶ Please contact your local **Hilti** representative if you have questions about the warranty conditions.



Перевод оригинального руководства по эксплуатации

1 Данные руководства по эксплуатации

1.1 Об этом документе



Импортер и уполномоченная изготовителем организация

- (RU) Российская Федерация
АО "Хилти Дистрибьюшн ЛТД", 141402, Московская область, г. Химки, ул. Ленинградская, стр. 25
- (BY) Республика Беларусь
222750, Минская область, Дзержинский район, Р-1, 18-й км, 2 (около д. Слободка), помещение 1-34
- (KZ) Республика Казахстан
Республика Казахстан, индекс 050011, г. Алматы, ул. Пугачева 4
- (KG) Киргизская Республика
ОсОО "Т AND Т", 720021, Кыргызстан, Бишкек, ул. Ибраимова 29 А
- (AM) Республика Армения
ООО Эйч-Кон, Республика Армения, г. Ереван, ул. Бабаяна 10/1

Страна производства: см. маркировочную табличку на оборудовании.

Дата производства: см. маркировочную табличку на оборудовании.

Соответствующий сертификат можно найти по адресу: www.hilti.ru

Специальных требований к условиям хранения, транспортировки и использования, кроме указанных в руководстве по эксплуатации, нет.

Срок службы изделия составляет 10 лет.

- Ознакомьтесь с этим документом перед началом работы. Это является залогом безопасной работы и бесперебойной эксплуатации.
- Соблюдайте указания по технике безопасности и предупреждающие указания, приводимые в данном документе и на изделии.
- Храните руководство по эксплуатации всегда рядом с электроинструментом и передавайте электроинструмент будущим владельцам только вместе с этим руководством.

1.2 Пояснение к знакам

1.2.1 Предупреждающие указания

Предупреждающие указания служат для предупреждения об опасностях при обращении с изделием. Используются следующие сигнальные слова:



ОПАСНО !

- ▶ Общее обозначение непосредственной опасной ситуации, которая влечет за собой тяжелые травмы или смертельный исход.



ПРЕДУПРЕЖДЕНИЕ !

- ▶ Общее обозначение потенциально опасной ситуации, которая может повлечь за собой тяжелые травмы или смертельный исход.



ОСТОРОЖНО !

- ▶ Общее обозначение потенциально опасной ситуации, которая может повлечь за собой травмы или повреждение оборудования (материальный ущерб).

1.2.2 Символы, используемые в руководстве

В этом руководстве используются следующие символы:



	Соблюдать руководство по эксплуатации
	Указания по эксплуатации и другая полезная информация
	Обращение с материалами, пригодными для вторичной переработки
	Не выбрасывайте электроинструменты и аккумуляторы вместе с обычным мусором!
	Hilti Литий-ионный аккумулятор (Li-Ion)
	Зарядное устройство Hilti

1.2.3 Символы на изображениях

На изображениях используются следующие символы:

	Эти цифры указывают на соответствующее изображение в начале данного руководства.
	Нумерация на изображениях отображает порядок выполнения рабочих операций и может отличаться от нумерации, используемой в тексте.
	Номера позиций используются в обзорном изображении. В обзоре изделия они указывают на номера в экспликации.
	Этот знак должен привлечь особое внимание пользователя при обращении с изделием.

1.3 Символы на устройстве

1.3.1 Символы в зависимости от изделия

На устройстве могут использоваться следующие символы:

	Опасность защемления!
	Постоянный ток
	Изделие поддерживает технологию NFC, совместимую с платформами iOS и Android.
Li-Ion	Литий-ионный аккумулятор
	Серия используемых литий-ионных аккумуляторов Hilti . Соблюдайте указания, приведенные в главе Использование по назначению .
	Никогда не используйте аккумулятор в качестве ударного инструмента.
	Не допускайте падения аккумулятора. Не используйте аккумулятор, который получил повреждения вследствие удара или каким-либо иным образом.
	Соответствующая маркировка на устройстве подтверждает, что это устройство было сертифицировано данным органом сертификации для использования в США и Канаде в соответствии с действующими нормами.

1.4 Информация об изделии

Изделия предназначены для профессионального использования, поэтому они должны обслуживаться и ремонтироваться только уполномоченным и обученным персоналом. Этот персонал должен пройти специальный инструктаж по технике безопасности. Использование изделия и его оснастки не по назначению или его эксплуатация необученным персоналом могут представлять опасность.

Типовое обозначение и серийный номер указаны на заводской табличке.



- ▶ Перепишите серийный номер в нижеприведенную табличную форму. Данные изделия необходимы при обращении в наше представительство или сервисный центр.

Указания к изделию

Обжимной инструмент	NPR 019 IE-A22
Поколение	01
Серийный №	

1.5 Декларация соответствия нормам

Настоящим фирма-изготовитель с полной ответственностью заявляет, что данное изделие соответствует действующим директивам и нормам. Копию декларации соответствия нормам см. в конце этого документа.

Техническая документация (оригиналы) хранится здесь:

Hilti Entwicklungsgesellschaft mbH | Zulassung Geräte | Hiltistraße 6 | 86916 Kaufering, Германия

2 Безопасность

2.1 Общие указания по технике безопасности для электроинструментов

⚠ ПРЕДУПРЕЖДЕНИЕ Изучите все указания по технике безопасности, инструкции, иллюстрации и технические данные, которые прилагаются к данному электроинструменту. Несоблюдение приводимых ниже указаний может привести к поражению электрическим током, пожару и/или тяжелым травмам.

Сохраните все указания по технике безопасности и инструкции для следующего пользователя.

Используемый далее термин «электроинструмент» относится к электроинструменту, работающему от электрической сети (с кабелем электропитания) и от аккумулятора (без кабеля электропитания).

Безопасность рабочего места

- ▶ Следите за чистотой и хорошей освещенностью на рабочем месте. Беспорядок на рабочем месте или плохое освещение могут привести к несчастным случаям.
- ▶ Не используйте электроустройство/электроинструмент во взрывоопасной зоне, где имеются горючие жидкости, газы или пыль. При работе электроустройство/электроинструмент искрит, и искры могут воспламенить пыль или пары/газы.
- ▶ Не разрешайте детям и посторонним приближаться к работающему электроустройству/электроинструменту. Отвлекаясь от работы, можно потерять контроль над электроустройством/электроинструментом.

Электрическая безопасность

- ▶ Соединительная вилка электроинструмента должна соответствовать розетке электросети. Не изменяйте конструкцию вилки! Не используйте переходные вилки с электроинструментами с защитным заземлением. Использование оригинальных вилок и соответствующих им розеток снижает риск поражения электрическим током.
- ▶ Избегайте непосредственного контакта с заземленными поверхностями, например с трубами, отопительными приборами, газо-/электропластинами и холодильниками. При контакте с заземленными предметами возникает повышенный риск поражения электрическим током.
- ▶ Предохраняйте электроинструменты от дождя или воздействия влаги. В результате попадания воды в электроинструмент возрастает риск поражения электрическим током.
- ▶ Не используйте кабель электропитания не по назначению, например для переноски электроинструмента, его подвешивания или для выдергивания вилки из розетки электросети. Защищайте кабель электропитания от воздействий высоких температур, масла, острых кромок или вращающихся деталей/узлов. В результате повреждения или схлестывания кабелей электропитания повышается риск поражения электрическим током.
- ▶ Если работы с электроинструментом выполняются на открытом воздухе, применяйте только удлинительные кабели, которые разрешено использовать вне помещений. Использование удлинительного кабеля, пригодного для использования вне помещений, снижает риск поражения электрическим током.
- ▶ Если избежать работы с электроинструментом в условиях влажности не представляется возможным, используйте автомат защиты от тока утечки. Использование автомата защиты от тока утечки снижает риск поражения электрическим током.



Безопасность персонала

- ▶ **Будьте внимательны, следите за своими действиями и серьезно относитесь к работе с электроинструментом. Не пользуйтесь электроинструментом, если вы устали или находитесь под действием наркотиков, алкоголя или медикаментов.** Незначительная ошибка при невнимательной работе с электроинструментом может стать причиной серьезного травмирования.
- ▶ **Используйте средства индивидуальной защиты и всегда надевайте защитные очки.** Использование средств индивидуальной защиты, например респиратора, защитной обуви на нескользящей подошве, защитной каски или защитных наушников, в зависимости от вида и условий эксплуатации электроинструмента, снижает риск травмирования.
- ▶ **Избегайте непреднамеренного включения электроинструмента. Убедитесь в том, что электроинструмент выключен, прежде чем подключить его к электропитанию и/или вставить аккумулятор, поднимать или переносить электроинструмент.** Ситуации, когда при переноске электроинструмента палец находится на выключателе или когда включенный электроинструмент подключается к электросети, могут привести к несчастным случаям.
- ▶ **Перед включением электроинструмента удалите регулировочные приспособления или гаечные ключи.** Рабочий инструмент или гаечный ключ, находящийся во вращающейся части электроинструмента, может стать причиной получения травм.
- ▶ **Старайтесь избегать неестественных поз при работе. Постоянно сохраняйте устойчивое положение и равновесие.** Это позволит лучше контролировать электроинструмент в непредвиденных ситуациях.
- ▶ **Носите спецодежду. Не надевайте очень свободную одежду или украшения. Оберегайте волосы, одежду и защитные перчатки от вращающихся узлов электроинструмента.** Свободная одежда, украшения и длинные волосы могут быть захвачены ими.
- ▶ **Если предусмотрено подсоединение устройств для удаления и сбора пыли, убедитесь в том, что они подсоединены и используются по назначению.** Использование пылеудаляющего аппарата снижает вредное воздействие пыли.
- ▶ **Не пребывайте в ложной уверенности в собственной безопасности и не пренебрегайте правилами техники безопасности для электроинструментов, даже если вы являетесь опытным пользователем электроинструмента.** Неосторожное обращение может в течение долей секунды стать причиной получения тяжелых травм.

Использование и обслуживание электроинструмента

- ▶ **Не допускайте перегрузки электроинструмента. Используйте электроинструмент, предназначенный именно для данной работы.** Соблюдение этого правила обеспечит более высокое качество и безопасность работы в указанном диапазоне мощности.
- ▶ **Не используйте электроинструмент с неисправным выключателем.** Электроинструмент, включение или выключение которого затруднено, представляет опасность и должен быть отремонтирован.
- ▶ **Прежде чем приступить к регулировке электроинструмента, замене принадлежностей или перед перерывом в работе выньте вилку из розетки и/или аккумулятор из электроинструмента.** Данная мера предосторожности позволит предотвратить непреднамеренное включение электроинструмента.
- ▶ **Храните неиспользуемые электроинструменты в местах, недоступных для детей. Не позволяйте использовать электроинструмент лицам, которые не ознакомлены с ним или не читали эти инструкции.** Электроинструменты представляют собой опасность в руках неопытных пользователей.
- ▶ **Бережно обращайтесь с электроинструментами и принадлежностями. Проверяйте безупречное функционирование подвижных частей, легкость их хода, целостность и отсутствие повреждений, которые могли бы отрицательно повлиять на работу электроинструмента. Сдавайте поврежденные части электроинструмента в ремонт до его использования.** Причиной многих несчастных случаев является несоблюдение правил технического обслуживания электроинструментов.
- ▶ **Необходимо следить за тем, чтобы режущие инструменты были острыми и чистыми.** Заклинивание содержащихся в надлежащем состоянии режущих инструментов происходит реже, ими легче управлять.
- ▶ **Применяйте электроинструмент, принадлежности (оснастку), рабочие инструменты и т. д. согласно данным указаниям. Учитывайте при этом рабочие условия и характер выполняемой работы.** Использование электроинструментов не по назначению может привести к опасным ситуациям.
- ▶ **Засмазанные рукоятки и поверхности для хвата немедленно очищайте — они должны быть сухими и чистыми.** Скользкие рукоятки и поверхности для хвата не обеспечивают безопасное управление и контроль электроинструмента в непредвиденных ситуациях.



Использование и обслуживание аккумуляторного инструмента

- ▶ **Заряжайте аккумуляторы только с помощью зарядных устройств, рекомендованных изготовителем.** При использовании зарядного устройства для зарядки несоответствующих ему типов аккумуляторов существует опасность возгорания.
- ▶ **Используйте только оригинальные аккумуляторы, рекомендованные специально для этого электроинструмента.** Использование других аккумуляторов может привести к травмам и опасности возгорания.
- ▶ **Неиспользуемые аккумуляторы храните вдали от скрепок, монет, ключей, гвоздей, шурупов или других мелких металлических предметов, которые могут стать причиной замыкания контактов.** Замыкание контактов аккумулятора может привести к ожогам или возгоранию.
- ▶ **При неверном обращении с аккумулятором из него может вытечь электролит. Избегайте контакта с ним. При случайном контакте смойте водой. При попадании электролита в глаза немедленно обратитесь за помощью к врачу.** Вытекший из аккумулятора электролит может привести к раздражению кожи или ожогам.
- ▶ **Не используйте поврежденный или измененный аккумулятор.** Поврежденные или измененные аккумуляторы могут функционировать непредсказуемо и стать причиной возгорания, взрыва или травмирования.
- ▶ **Не подвергайте аккумулятор воздействию огня или слишком высоких температур.** Огонь или температура свыше 130 °C могут спровоцировать взрыв аккумулятора.
- ▶ **Соблюдайте все указания по зарядке и никогда не заряжайте аккумулятор или аккумуляторный инструмент вне температурного диапазона, указанного в руководстве по эксплуатации.** Неправильная зарядка/зарядка вне указанного в руководстве по эксплуатации температурного диапазона могут привести к разрушению аккумулятора и повышают опасность возгорания.

Сервис

- ▶ **Доверяйте ремонт своего электроинструмента только квалифицированному персоналу, использующему только оригинальные запчасти.** Этим обеспечивается поддержание электроинструмента в безопасном состоянии.
- ▶ **Категорически запрещается выполнять обслуживание поврежденных аккумуляторов.** Все технические работы с аккумуляторами должны выполняться только производителем или авторизованными сервисными мастерами.

2.2 Дополнительные указания по технике безопасности при работе с обжимным инструментом

Безопасность персонала

- ▶ Используйте инструмент только в технически исправном состоянии.
- ▶ Внесение изменений в конструкцию инструмента или его модификация категорически запрещаются.
- ▶ Никогда не выполняйте обжим внутри газопроводных сетей, если только на это не получено письменное разрешение со стороны системного поставщика специально для данного инструмента и при условии использования проверенных фитингов.
- ▶ Если вы заметите, что вытекает гидравлическая жидкость, больше не используйте инструмент и обратитесь в сервисную службу Hilti. Незамедлительно устраните вытекшую гидравлическую жидкость.
- ▶ Убедитесь в том, что стопорный палец полностью задвинут и надежно зафиксирован.
- ▶ Убедитесь в отсутствии посторонних предметов (например, штукатурки, каменной дроби, металлической стружки ит. д.) в обжимных губках, а также в отсутствии повреждений. Поврежденные или погнутые обжимные губки использовать запрещается!
- ▶ Во время резки строго соблюдайте безопасное расстояние между режущей головкой и пальцами/кистью руки.
- ▶ Включайте обжимной инструмент только в рабочем положении.
- ▶ Всегда надежно удерживайте обжимной инструмент обеими руками за предусмотренные для этого рукоятки.
- ▶ Содержите защиту от случайного срабатывания при падении инструмента и удерживающий трос в чистом и сухом виде.
- ▶ **Перед началом работ проверяйте обжимной инструмент и обжимные губки NPR PM согласно указаниям.** Не проверенные должным образом инструменты и губки могут привести к ошибкам при выполнении обжима и возникновению опасностей для оператора. Обжимные инструменты подлежат проверке в сервисном центре Hilti не позднее чем через 15 000 обжимов и, по меньшей мере, один раз в год. Обжимные губки должны проходить ежегодное техническое обслуживание в сервисном центре Hilti.



- ▶ В конце проведите испытание на проверку герметичности на обжатой трубопроводной системе, чтобы убедиться в отсутствии неплотностей (например, вследствие ошибок).

Электрическая безопасность

- ▶ Перед использованием инструмента следует обесточить все активные токопроводящие детали, находящиеся в рабочей зоне. Если это не представляется возможным, необходимо принять соответствующие меры защиты для проведения работ вблизи находящихся под электрическим напряжением деталей.
- ▶ Перед использованием обжимного инструмента убедитесь в отсутствии скрытых электрических проводов, а также газо- или водопроводов в рабочей зоне. Внешние, металлические или находящиеся под электрическим напряжением детали могут вызвать поражение электрическим током, если вы случайно повредите электрические кабели, газо- или водопроводы.
- ▶ Не выполняйте обжим находящихся под электрическим напряжением деталей. Инструмент не является изолированным и поэтому должен использоваться вместе со средствами индивидуальной защиты (защитные перчатки, защитная обувь, защитная одежда и т. д.), которые могут обеспечить защиту как самого оператора, так и находящихся рядом с ним людей.

Бережное обращение с инструментами и их правильная эксплуатация

- ▶ Выключайте инструмент примерно через 50 последовательно выполненных обжимов и давайте ему охладиться в течение примерно 15 мин. Перегрев может привести к повреждению инструмента.

2.3 Аккуратное обращение с аккумуляторами и их правильное использование

- ▶ **Соблюдайте следующие указания по технике безопасности для безопасного обращения и использования литий-ионных аккумуляторов.** Их несоблюдение может привести к раздражениям кожи, серьезным травмам, химическим ожогам, возгоранию и/или взрывам.
- ▶ Используйте аккумуляторы только в технически исправном состоянии.
- ▶ Обращайтесь с аккумуляторами осторожно, чтобы не допустить повреждений и предотвратить выход жидкостей, представляющих серьезную опасность для здоровья!
- ▶ Категорически запрещается вносить изменения в конструкцию аккумуляторов или выполнять недопустимые манипуляции с ними!
- ▶ Запрещается разбирать, сдавливать, нагревать до температуры выше 80 °C (176 °F) или сжигать аккумуляторы.
- ▶ Не используйте или не заряжайте аккумуляторы, которые подвергались механическим (ударным) нагрузкам или получили повреждение каким-либо иным образом. Регулярно проверяйте используемые вами аккумуляторы на признаки повреждений.
- ▶ Категорически запрещается использовать восстановленные аккумуляторы или аккумуляторы после вторичной переработки.
- ▶ Категорически запрещается использовать аккумулятор или работающие от аккумулятора электроинструменты в качестве ударного инструмента.
- ▶ Категорически запрещается подвергать аккумуляторы воздействию прямого солнечного излучения, высокой температуры, искр или открытого пламени. Это может привести к взрывам.
- ▶ Не касайтесь аккумуляторных клемм (полюсов) пальцами, рабочими инструментами, украшениями или иными токопроводящими предметами. Это можно повредить аккумулятор, а также привести к материальному ущербу и травмам.
- ▶ Предохраняйте аккумуляторы от дождя, повышенной влажности и жидкостей. Проникшая влага может привести к коротким замыканиям, ударам электрическим током, ожогам, возгоранию или взрывам.
- ▶ Используйте только допущенные для данного типа аккумуляторов зарядные устройства и электроинструменты. Соблюдайте указания, приводимые в соответствующих руководствах по эксплуатации.
- ▶ Не используйте или не храните аккумулятор во взрывоопасных зонах.



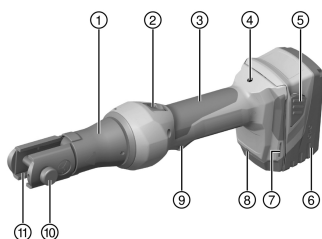
- ▶ Слишком сильный нагрев аккумулятора (такой, что до него невозможно дотронуться) указывает на его возможный дефект. Разместите аккумулятор на безопасном расстоянии от воспламеняющихся материалов в хорошо просматриваемом и пожаробезопасном месте. Дайте остыть аккумулятору. Если по истечении одного часа аккумулятор все еще остается таким горячим, что его нельзя взять в руки, это означает, что он неисправен. Обратитесь в сервисную службу **Hilti** или изучите документ «Указания по технике безопасности и использованию литий-ионных аккумуляторов **Hilti**».

i Соблюдайте специальные директивы по транспортировке, хранению и использованию литий-ионных аккумуляторов. 24

Ознакомьтесь с указаниями по технике безопасности и использованию литий-ионных аккумуляторов **Hilti**, которые можно посмотреть путем сканирования QR-кода в конце этого руководства по эксплуатации.

3 Описание

3.1 Обзор изделия



- ① Обжимная головка
- ② Возвратный выключатель для размыкания обжимных губок в случае ошибки/экстренной ситуации
- ③ Корпус
- ④ Индикатор технического обслуживания и ошибки (красный светодиод)
- ⑤ Кнопка дублирования аккумулятора
- ⑥ Аккумулятор
- ⑦ Шлиц с обеих сторон, для крепления защиты **Hilti** от случайного срабатывания при падении инструмента
- ⑧ Белый светодиод для освещения рабочей зоны
- ⑨ Выключатель
- ⑩ Стопорный палец для открывания/закрывания головки инструмента
- ⑪ Обжимные губки

3.2 Использование по назначению

Это изделие представляет собой аккумуляторный электрогидравлический обжимной инструмент, который предназначен для обжима фитингов при соединении труб из композитных материалов, меди и стали.

- Для этого электроинструмента используйте только литий-ионные аккумуляторы фирмы **Hilti** серии В 22.
- Для зарядки этих аккумуляторов используйте только разрешенные фирмой **Hilti** зарядные устройства. Дополнительную информацию см. в **Hilti Store** или на www.hilti.group.

3.3 Индикатор состояния литий-ионного аккумулятора

Уровень заряда литий-ионного аккумулятора и сбой в работе инструмента сигнализируются посредством индикатора состояния литий-ионного аккумулятора. Уровень заряда литий-ионного аккумулятора отображается после нажатия одной из двух кнопок дублирования аккумулятора.

Состояние	Значение
Горят четыре светодиода.	Уровень заряда: от 75 % до 100 %
Горят три светодиода.	Уровень заряда: от 50 % до 75 %
Горят два светодиода.	Уровень заряда: от 25 % до 50 %
Горит один светодиод.	Уровень заряда: от 10 % до 25 %
Мигает один светодиод.	Уровень заряда: < 10 %





При нажатом выключателе и в течение макс. 5 с после его отпущения запрос уровня заряда невозможен. При мигании светодиодов индикатора состояния аккумулятора следуйте указаниям из главы «Помощь при неисправностях».

3.4 Комплект поставки

Обжимной инструмент, руководство по эксплуатации.

Другие системные принадлежности, допущенные для использования с этим изделием, вы можете найти в **HILTI STORE** или на сайте www.hilti.group

4 Технические данные

	NPR 019 IE-A22
Номинальное напряжение	21,6 В
Масса по EPTA Procedure 01 с аккумулятором B22/8.0	2,7 кг
Время обжима	≈ 4 с
макс. усилие обжима	19 кН
Температура хранения	-20 °C ... 70 °C
Температура окружающей среды при эксплуатации	-17 °C ... 60 °C

4.1 Данные по шуму и вибрациям согласно EN 62841

Приводимые здесь значения уровня звукового давления и вибрации были измерены согласно стандартизированной процедуре измерения и могут использоваться для сравнения электроинструментов между собой. Они также подходят для предварительной оценки вредных воздействий.

Указанные данные применимы к основным областям применения электроинструмента. Однако, если электроинструмент используется для других целей, с другими рабочими (сменными) инструментами или в случае его неудовлетворительного технического обслуживания, данные могут быть иными. Вследствие этого в течение всего периода работы электроинструмента возможно значительное увеличение вредных воздействий.

Для точного определения вредных воздействий следует также учитывать промежутки времени, в течение которых электроинструмент находится в выключенном состоянии или работает вхолостую. Вследствие этого в течение всего периода работы электроинструмента возможно заметное уменьшение вредных воздействий.

Примите дополнительные меры безопасности для защиты пользователя от воздействия возникающего шума и/или вибраций, например: техническое обслуживание электроинструмента и рабочих (сменных) инструментов, сохранение тепла рук, правильная организация рабочих процессов.

Данные по шуму

Уровень звуковой мощности (L_{WA})	80 дБ(А)
Погрешность уровня звуковой мощности (K_{WA})	2,5 дБ(А)
Значение уровня звукового давления (L_{pA})	70 дБ(А)
Погрешность уровня звукового давления (K_{pA})	2,5 дБ(А)

Данные по вибрации

Общее значение вибрации (во время работы) (a)	2,5 м/с ²
Коэффициент погрешности (K)	1,5 м/с ²

4.2 Аккумулятор

Рабочее напряжение аккумулятора	21,6 В
Температура окружающей среды	-17 °C ... 60 °C
Температура хранения	-20 °C ... 40 °C



5 Подготовка к работе

ПРЕДУПРЕЖДЕНИЕ

Опасность травмирования вследствие непреднамеренного пуска!

- ▶ Перед установкой аккумулятора убедитесь в том, что соответствующий электроинструмент выключен.
- ▶ Прежде чем приступить к регулировке электроинструмента или замене принадлежностей выньте аккумулятор из электроинструмента.

Соблюдайте указания по технике безопасности и предупреждающие указания, приводимые в данном документе и на изделии.

5.1 Зарядка аккумулятора

1. Перед зарядкой изучите руководство по эксплуатации зарядного устройства.
2. Убедитесь в том, что контакты аккумулятора и зарядного устройства чистые и сухие.
3. Заряжайте аккумулятор только в допущенном к эксплуатации зарядном устройстве. 19

5.2 Установка аккумулятора

ПРЕДУПРЕЖДЕНИЕ

Опасность травмирования вследствие короткого замыкания или падения аккумулятора!

- ▶ Перед установкой аккумулятора убедитесь в чистоте его контактов и контактов электроинструмента.
 - ▶ Всегда проверяйте, правильно ли зафиксирован аккумулятор.
1. Перед первым вводом в эксплуатацию полностью зарядите аккумулятор.
 2. Прижмите аккумулятор так, чтобы он зафиксировался в аккумуляторном отсеке с характерным щелчком.
 3. Проверьте надежность фиксации аккумулятора.

5.3 Извлечение аккумулятора

1. Нажмите кнопки (де)блокировки аккумулятора.
2. Извлеките аккумулятор из электроинструмента.

5.4 Защита от падения

ПРЕДУПРЕЖДЕНИЕ

Опасность травмирования вследствие падения электроинструмента и/или принадлежности!

- ▶ Используйте только предусмотренный для этого электроинструмента удерживающий трос **Hilti** для инструментов.
- ▶ Перед каждым использованием проверяйте точку крепления удерживающего троса для инструментов на возможные повреждения.



Соблюдайте национальные директивы по выполнению высотных работ.

Для защиты этого устройства от падения используйте только комбинацию из предохранителя **Hilti** для предупреждения случайного срабатывания при ударе #2293133 и удерживающего троса для инструментов **Hilti** #2261970.

- ▶ Закрепите предохранитель для предупреждения случайного срабатывания при ударе в монтажных отверстиях для принадлежностей. Проверьте надежность фиксации.
- ▶ Закрепите один крючок-карабин удерживающего троса для инструментов на предохранителе для предупреждения случайного срабатывания при ударе, а второй — на несущей конструкции. Проверьте надежность фиксации.



Соблюдайте указания из руководств по эксплуатации предохранителя **Hilti** для предупреждения случайного срабатывания при ударе, а также удерживающего троса для инструментов **Hilti**.



5.5 Установка обжимных губок 2

ОСТОРОЖНО

Опасность травмирования! Рабочий инструмент может нагреваться и/или иметь острые кромки.

- ▶ При смене рабочего инструмента пользуйтесь защитными перчатками.
- ▶ Категорически запрещается укладывать нагретый рабочий инструмент на воспламеняющиеся основания.

ПРЕДУПРЕЖДЕНИЕ

Опасность травмирования! Непреднамеренное включение инструмента

- ▶ Извлекайте аккумулятор, прежде чем устанавливать/заменять/извлекать обжимные губки.



Никогда не включайте инструмент без установленных обжимных губок!

Для обеспечения правильного обжима и гарантии надежной и безопасной работы используйте только допущенные системным поставщиком и/или производителем инструмента для использования с данным инструментом обжимные губки.

1. Извлеките аккумулятор, выберите подходящие обжимные губки.
2. Прижмите стопорный палец.
3. Поверните стопорный палец против часовой стрелки до упора.
4. Извлеките стопорный палец.
5. Установите обжимные губки.
6. Задвиньте стопорный палец до фиксации.
7. Поверните обжимную головку в нужное положение.



В разгруженном состоянии обжимная головка поворачивается заметно легче.

5.6 Извлечение обжимных губок 3

ПРЕДУПРЕЖДЕНИЕ

Опасность травмирования! Непреднамеренное включение инструмента

- ▶ Извлекайте аккумулятор, прежде чем устанавливать/заменять/извлекать обжимные губки.

1. Извлеките аккумулятор, поверните обжимную головку в исходное положение.
2. Прижмите стопорный палец.
3. Поверните стопорный палец против часовой стрелки до упора.
4. Извлеките стопорный палец.
5. Извлеките обжимные губки из инструмента движением к себе.

6 Управление

Соблюдайте указания по технике безопасности и предупреждающие указания, приводимые в данном документе и на изделии.

6.1 Выполнение обжима 4

ОПАСНО

Опасность поражения электрическим током! Выполнение работ при неблагоприятных внешних условиях может привести к ударам электрическим током и/или коротким замыканиям.

- ▶ Категорически запрещается работать с токопроводящими линиями во время грозы.
- ▶ Немедленно прекратите работу, если погодные условия влияют на изоляционные свойства, видимость или передвижение рабочих.



⚠ ПРЕДУПРЕЖДЕНИЕ

Опасность травмирования вследствие выходящей под высоким давлением гидравлической жидкости! Выходящая под высоким давлением гидравлическая жидкость может привести к травмам кожи и глаз.

- ▶ Не используйте обжимной инструмент, если заметны повреждения.
- ▶ Не используйте обжимной инструмент при выходе гидравлической жидкости.
- ▶ Убедитесь в том, что поршень возвращается обратно после каждого обжима.
- ▶ Если поршень после обжима не возвращается в исходное положение, нажмите соответствующий выключатель для ручного возврата поршня в исходное положение.

⚠ ПРЕДУПРЕЖДЕНИЕ

Опасность! Опасность утечки газа при выполнении обжима внутри газопроводных сетей!

- ▶ Никогда не выполняйте обжим внутри газопроводных сетей, если только на это не получено письменное разрешение со стороны системного поставщика специально для данного инструмента и при условии использования проверенных фитингов.

⚠ ПРЕДУПРЕЖДЕНИЕ

Опасность травмирования вследствие отлетания осколков! Осколки материала могут травмировать тело и глаза.

- ▶ Работайте в защитных очках и защитных перчатках.
- ▶ Используйте подходящий соединитель с правильными обжимными кольцами и обжимными/переходными вставками.
- ▶ До и во время обжима убедитесь в том, что обжимные кольца и обжимная/переходная вставка правильно отцентрированы.

⚠ ОСТОРОЖНО

Повреждение оборудования вследствие неправильного обращения! Обжимной инструмент и/или обжимные кольца могут получить повреждения вследствие неправильного обращения.

- ▶ Убедитесь в том, что обжимные кольца не имеют следов пыли, прежде чем начинать работу.
- ▶ Смажьте обжимные кольца и роликовый исполнительный механизм (при наличии) смазкой и антикоррозионным спреем (#308976), прежде чем приступить к работе.
- ▶ Соблюдайте указания из оригинального руководства по эксплуатации от изготовителя.



Необходимым условием для правильного обжима, обеспечивающего требуемую герметичность в течение долгого времени, является полное смыкание обжимных губок в конце обжима. Фитинги, при обжиме которых процедура была завершена преждевременно, необходимо демонтировать или, если это возможно, обжать повторно.



Гидравлическая жидкость в холодных погодных условиях может загустеть и замедлить процесс обжима. Выполните от 5 до 10 холостых обжимов, чтобы прогреть обжимной инструмент.

1. Установите обжимные губки. 22
2. Сожмите выступы обжимных вставок.
 - ▶ Обжимная вставка откроется.
3. Обхватите обжимной вставкой обжимаемый фитинг.
4. Нажмите выключатель и удерживайте его нажатым до возврата поршня в исходное положение.
 - ▶ Обжим успешно завершен.



⚠ ПРЕДУПРЕЖДЕНИЕ**Опасность получения травм при невыполнении технического обслуживания !**

- ▶ Техническое обслуживание (ТО) требуется проводить после 15 000 рабочих циклов или через 1 год. Оно должно выполняться в авторизованном сервисном центре Hilti Service Center. Невыполнение регулярного ТО может привести к серьезным нарушениям безопасности для оператора и/или к неправильному выполнению обжимов.

⚠ ПРЕДУПРЕЖДЕНИЕ**Опасность травмирования при установленном аккумуляторе !**

- ▶ Перед проведением любых работ по уходу и обслуживанию всегда извлекайте аккумулятор!

Уход за электроинструментом

- Удаляйте налипшую грязь с осторожностью.
- Осторожно очищайте вентиляционные прорези (при наличии) сухой мягкой щеткой.
- Очищайте корпус только слегка увлажненной тканью. Не используйте средства по уходу с содержанием силикона, поскольку они могут повредить пластиковые детали.
- Для очистки контактов электроинструмента используйте чистую сухую тряпку.

Уход за литий-ионными аккумуляторами

- Категорически запрещается использовать аккумулятор с забитыми вентиляционными прорезями. Осторожно очистите вентиляционные прорези сухой мягкой щеткой.
- Не допускайте чрезмерного запыления или загрязнения аккумулятора. Категорически запрещается подвергать аккумулятор чрезмерному воздействию влаги (например, опускать его в воду или оставлять под дождем).
Если аккумулятор промокнет, обращайтесь с ним, как с поврежденным. Поместите его в контейнер из негорючего материала и обратитесь в сервисную службу **Hilti**.
- Аккумулятор должен быть чистым, без следов масла и смазки. Не допускайте чрезмерного скопления пыли или грязи на аккумуляторе. Очищайте аккумулятор сухой мягкой кистью или чистой и сухой тряпкой. Не используйте средства по уходу с содержанием силикона, поскольку они могут повредить пластиковые детали.
Не прикасайтесь к контактам аккумулятора и не удаляйте с них смазку, нанесенную на заводе.
- Очищайте корпус только слегка увлажненной тканью. Не используйте средства по уходу с содержанием силикона, поскольку они могут повредить пластиковые детали.

Техническое обслуживание**⚠ ПРЕДУПРЕЖДЕНИЕ****Опасность вследствие удара электрического тока! Неквалифицированный ремонт компонентов электрической части может привести к получению серьезных травм и ожогам.**

- ▶ Ремонт электрической части перфоратора поручайте только специалисту-электрику.
- Регулярно проверяйте все видимые части электроинструмента на отсутствие повреждений, а элементы управления — на исправное функционирование.
- При повреждениях и/или функциональных сбоях не используйте электроинструмент. Немедленно сдайте электроинструмент для ремонта в сервисный центр **Hilti**.
- После ухода за электроинструментом и его технического обслуживания установите все защитные приспособления на место и проверьте их исправное функционирование.



Для обеспечения безопасной эксплуатации используйте только оригинальные запасные части, расходные материалы и принадлежности. Допущенные **Hilti** запасные части, расходные материалы и принадлежности для этой машины вы можете найти в **Hilti Store** или на: www.hilti.group

8 Транспортировка и хранение аккумуляторных инструментов и аккумуляторов**Транспортировка****⚠ ОСТОРОЖНО****Непреднамеренное включение в ходе транспортировки !**

- ▶ При транспортировке своих электроинструментов всегда отсоединяйте от них аккумуляторы!
- ▶ Извлеките аккумулятор(ы).



- ▶ Категорически запрещается транспортировать аккумуляторы без упаковки (бестарным способом). Во время транспортировки необходимо принять меры по защите аккумуляторов от сильных ударов и вибраций и изолировать их от любых токопроводящих материалов или других аккумуляторов, чтобы не допустить их контакта с клеммами других аккумуляторов и, как следствие этого, короткого замыкания. **Соблюдайте действующие предписания по транспортировке аккумуляторов.**
- ▶ Запрещается пересылать аккумуляторы по почте. Обратитесь в транспортно-экспедиционную компанию, если вы хотите переслать поврежденные аккумуляторы.
- ▶ Перед каждым использованием, а также перед длительной транспортировкой и после нее проверьте электроинструмент и аккумуляторы на отсутствие повреждений.

Хранение

ПРЕДУПРЕЖДЕНИЕ

Непреднамеренное повреждение вследствие неисправных или протекающих аккумуляторов !

- ▶ При хранении своих электроинструментов всегда отсоединяйте от них аккумуляторы!
- ▶ По возможности храните фонарь и аккумуляторы в сухом и прохладном месте. Соблюдайте ограничения по температуре, приводимые в технических характеристиках.
- ▶ Не храните аккумуляторы на зарядном устройстве. После зарядки всегда извлекайте аккумулятор из зарядного устройства.
- ▶ Никогда не оставляйте аккумуляторы на солнце, на нагревательных/отопительных элементах или за стеклом.
- ▶ Храните фонарь и аккумуляторы в недоступном для детей и посторонних лиц месте.
- ▶ Перед каждым использованием, а также перед длительным хранением и после него проверяйте электроинструмент и аккумуляторы на отсутствие повреждений.

9 Помощь при неисправностях

В случае неисправностей, которые не указаны в этой таблице или которые вы не можете устранить самостоятельно, обращайтесь в ближайший сервисный центр Hilti.

9.1 Обжимной инструмент неисправен

Неисправность	Возможная причина	Решение
Светодиоды на аккумуляторе ничего не показывают.	Аккумулятор вставлен не полностью.	▶ Вставьте и зафиксируйте аккумулятор с характерным (двойным) щелчком.
	Аккумулятор разряжен.	▶ Замените аккумулятор и зарядите разряженный аккумулятор.
	Аккумулятор слишком холодный/слишком горячий	▶ Дайте остыть аккумулятору или доведите его температуру до комнатной.
На аккумуляторе мигает один светодиод.	Аккумулятор разряжен.	▶ Замените аккумулятор и зарядите разряженный аккумулятор.
	Аккумулятор слишком холодный/слишком горячий	▶ Дайте остыть аккумулятору или доведите его температуру до комнатной.
На аккумуляторе мигают четыре светодиода.	Кратковременная перегрузка инструмента.	▶ Дайте инструменту остыть.
Красный светодиод => продолжительное свечение с подачей предупредительного звукового сигнала.	Техническая неисправность.	▶ Возможно неправильное использование! Свяжитесь с сервисной службой Hilti.
Красный светодиод => короткое мигание с подачей предупредительного звукового сигнала.	Уровень заряда аккумулятор слишком низкий для выполнения всех работ.	▶ Замените аккумулятор и зарядите разряженный аккумулятор.



Неисправность	Возможная причина	Решение
Красный светодиод => короткое свечение без подачи предупредительного звукового сигнала.	Инструмент перегрет.	▶ Дайте инструменту остыть.

9.2 Обжимной инструмент исправен

Неисправность	Возможная причина	Решение
Аккумулятор разряжается быстрее, чем обычно.	Очень низкая температура окружающей среды	▶ Обеспечьте постепенный нагрев аккумулятора до комнатной температуры.
При установке аккумулятора не слышно характерного (двойного) щелчка.	Грязь на контактах аккумулятора	▶ Очистите фиксирующие выступы и установите аккумулятор повторно.
Красный светодиод => продолжительное мигание с подачей предупредительного звукового сигнала.	Требуемое усилие для обжима не достигнуто (ошибка пользователя).	▶ Убедитесь в правильном применении и при необходимости проверьте результат обжима.
Красный светодиод => продолжительное свечение с подачей предупредительного звукового сигнала.	Техническая неисправность.	▶ Возможно неправильное использование! Свяжитесь с сервисной службой Hilti .
Красный светодиод => продолжительное свечение без подачи предупредительного звукового сигнала.	Требуется техническое обслуживание.	▶ Свяжитесь с сервисной службой Hilti .

10 Утилизация

ПРЕДУПРЕЖДЕНИЕ

Опасность травмирования вследствие неправильной утилизации! Опасность для здоровья вследствие выхода газов или жидкостей.

- ▶ Не пересылайте поврежденные аккумуляторы!
- ▶ Закрывайте аккумуляторные контакты не проводящим ток материалом, чтобы избежать коротких замыканий.
- ▶ Утилизируйте аккумуляторы так, чтобы исключить их попадание в руки детей.
- ▶ Утилизируйте аккумулятор через ближайший **Hilti Store** или обратитесь в специализированную фирму по утилизации.

Большинство материалов, из которых изготовлены устройства **Hilti**, подлежат вторичной переработке. Перед утилизацией следует тщательно рассортировать материалы (для удобства их последующей переработки). Во многих странах фирма **Hilti** уже организовала прием бывших в использовании электрических и электронных устройств (инструментов, приборов) для утилизации. Дополнительную информацию по этому вопросу можно получить в отделе по обслуживанию клиентов или у консультантов по продажам фирмы **Hilti**.



- ▶ Не выбрасывайте электрические инструменты, электронные устройства/приборы и аккумуляторы вместе с обычным мусором!

11 RoHS (Директива об ограничении применения опасных веществ)

По этой ссылке доступна таблица опасных веществ: qr.hilti.com/r/7794691.

Ссылку в виде QR-кода на таблицу опасных веществ согласно директиве RoHS см. в конце этого документа.



12 ガランディア 生産者

- ▶ С вопросами по поводу гарантийных условий обращайтесь в ближайшее представительство Hilti.

オリジナル取扱説明書

1 取扱説明書について

1.1 本取扱説明書について

- **警告事項！** 本製品をご使用になる前に、同梱の取扱説明書と指示事項、安全上の注意、警告表示、図および製品仕様を読んで、その内容を理解を理解してください。特に、すべての指示事項、安全上の注意、警告表示、図、製品仕様、構成部品と機能に精通しているようにしてください。これを怠ると、感電、火災、および / または重傷事故の危険があります。後日確認できるように、取扱説明書とすべての指示事項、安全上の注意、警告表示を保管しておいてください。
- **HILTI** 製品はプロ仕様で製作されており、その使用、保守、修理を行うのは、認定を受けトレーニングされた人のみに限ります。これらの人は、遭遇し得る危険に関する情報を入手していなければなりません。製品およびアクセサリーの使用法を知らない者による誤使用、あるいは規定外の使用は危険です。
- 製品に同梱されている取扱説明書は、印刷の時点で最新の技術状況を反映しています。オンラインの Hilti 製品ページで常に最新バージョンをご確認ください。これについては、本取扱説明書のリンク、または QR コード (📄 の記号) に従ってください。
- 他の人が使用する場合には、本製品とともにこの取扱説明書を一緒にお渡しください。

1.2 記号の説明

1.2.1 警告表示

警告表示は製品の取扱いにおける危険について警告するものです。以下の注意喚起語が使用されています：

危険

危険！

- ▶ この表記は、重傷あるいは死亡事故につながる危険性がある場合に注意を促すために使われます。

警告

警告！

- ▶ この表記は、重傷あるいは死亡事故につながる可能性がある場合に注意を促すために使われます。

注意

注意！

- ▶ この表記は、身体の負傷あるいは物財の損傷が発生する可能性がある場合に使われます。

1.2.2 取扱説明書の記号

この取扱説明書では、以下の記号が使用されています：

	取扱説明書に注意してください
	本製品を効率良く取り扱うための注意事項や役に立つ情報
	リサイクル可能な部品の取扱い
	電動工具およびバッテリーを一般ゴミとして廃棄してはなりません
	Hilti Li-Ion バッテリー
	Hilti 充電器



1.2.3 図中の記号

図中では以下の記号が使用されています：

2	この数字は本取扱説明書冒頭にある該当図を示しています。
3	付番は図中の作業手順の順序に対応していて、本文の作業手順とは一致しない場合があります。
⑪	概要図には項目番号が付されていて、製品概要セクションの凡例の番号に対応しています。
	この記号は、製品の取扱いの際に特に注意が必要なことを示しています。

1.3 製品に表示されている記号

1.3.1 製品により異なる記号

製品には以下の記号が使用されている場合があります：

	挫傷の危険！
	直流
	本体は、iOS および Android プラットフォームと互換性のある NFC テクノロジーをサポートしています。
Li-Ion	Li-Ion バッテリー
	使用されている Hilti Li-Ion バッテリーのモデルシリーズ。正しい使用の章の記載に注意してください。
	バッテリーは決して打撃工具として使用しないでください。
	バッテリーは落下させないでください。ぶつかけたり、あるいはその他の理由で損傷しているバッテリーは使用しないでください。
	本製品がそれに該当する場合、本製品はこの認証機関により適用される規格に従って米国およびカナダ市場に対して認証されています。

1.4 製品情報

製品はプロ仕様で製作されており、その使用、保守、修理を行うのは、認定を受けトレーニングされた人のみに限ります。これらの人は、遭遇し得る危険に関する情報を入手していなければなりません。製品およびアクセサリの使用法を知らない者による誤使用、あるいは規定外の使用は危険です。機種名および製造番号は銘板に表示されています。

- ▶ 製造番号を以下の表に書き写しておいてください。ヒルティ代理店やサービスセンターへお問い合わせの際には、製品データが必要になります。

製品データ

プレス工具	NPR 019 IE-A22
製品世代	01
製造番号	

1.5 適合宣言

製造者は、単独の責任において本書で説明している製品が有効な法規と有効な標準規格に適合していることを宣言します。適合宣言書の複写は本書の末尾にあります。

技術資料は本書の後続の頁に記載されています：

Hilti Entwicklungsgesellschaft mbH | Zulassung Geräte | Hiltistraße 6 | 86916 Kaufering, DE



2 安全

2.1 電動工具の一般安全注意事項

警告事項 本電動工具に付属のすべての安全上の注意、指示事項、図、および製品仕様をお読みください。以下の指示を守らないと、感電、火災および / または重傷事故の危険があります。

安全上の注意および指示事項が書かれた説明書はすべて大切に保管してください。

安全上の注意で使用する用語「電動工具」とは、お手持ちの電動ツール(電源コード使用) またはバッテリーツール(コードレス) を指します。

作業環境に関する安全

- ▶ 作業場はきれいに保ち、十分に明るくしてください。ちらかった暗い場所での作業は事故の原因となります。
- ▶ 爆発の危険性のある環境(可燃性液体、ガスおよび粉じんのある場所) では電動工具を使用しないでください。電動工具から火花が飛散し、粉じんや揮発性ガスに引火する恐れがあります。
- ▶ 電動工具の使用で、子供や無関係者を作業場へ近づけないでください。作業中に気がそらされると、本体のコントロールを失ってしまう恐れがあります。

電気に関する安全注意事項

- ▶ 電動工具の接続プラグは電源コンセントにきちんと適合しなければなりません。プラグは絶対に変更しないでください。保護接地した電動工具と一緒にアダプタープラグを使用しないでください。オリジナルのプラグと適切なコンセントを使用することにより、感電の危険を小さくすることができます。
- ▶ パイプ、ラジエーター、電子レンジ、冷蔵庫などのアースされた面に体の一部が触れないようにしてください。体が触れると感電の危険が大きくなります。
- ▶ 電動工具を雨や湿気から保護してください。電動工具に水が浸入すると、感電の危険が大きくなります。
- ▶ 電動工具を持ち運んだり、吊り下げたり、コンセントからプラグを抜いたりするときは、必ず本体を持ち、電源コードを持ったり引っ張ったりしないでください。電源コードを火気、オイル、鋭利な刃物、可動部等に触れる場所に置かないでください。電源コードが損傷したり絡まったりしていると、感電の危険が大きくなります。
- ▶ 屋外工事の場合には、必ず屋外専用の延長コードを使用してください。屋外専用の延長コードを使用すると、感電の危険が小さくなります。
- ▶ 湿った場所で電動工具を作動させる必要がある場合は、漏電遮断器を使用してください。漏電遮断器を使用すると、感電の危険が小さくなります。

作業員に関する安全

- ▶ 電動工具を使用の際には、油断せずに十分注意し、常識をもった作業をおこなってください。疲れている場合、薬物、医薬品服用およびアルコール飲用による影響下にある場合には電動工具を使用しないでください。電動工具使用中の一瞬の不注意が重傷の原因となることがあります。
- ▶ 個人用保護具および保護メガネを常に着用してください。負傷の危険を低減するために、電動工具の使用状況に応じた粉じんマスク、耐滑性の安全靴、ヘルメット、耳栓などの個人用保護具を着用してください。
- ▶ 電動工具の意図しない始動を防止して下さい。電動工具を電源および / またはバッテリーに接続する前や本体を持ち上げたり運んだりする前に、本体がオフになっていることを必ず確認してください。オン / オフスイッチが入っている状態で電動工具のスイッチに指を掛けたまま運んだり、電源に接続したりすると、事故の原因となる恐れがあります。
- ▶ 電動工具のスイッチを入れる前に、必ず調節キーやレンチを取り外してください。調節キーやレンチが本体の回転部に装着されたままでは、けがの原因となる恐れがあります。
- ▶ 作業中は不安定な姿勢をとらないでください。足元を安定させ、常にバランスを保つようにしてください。これにより、万一電動工具が異常状況に陥った場合にも、適切な対応が可能となります。
- ▶ 作業に適した作業着を着用してください。だぶだぶの衣服や装身具を着用しないでください。髪、衣服、手袋を本体の可動部に近づけないでください。だぶだぶの衣服、装身具、長い髪が可動部に巻き込まれる恐れがあります。
- ▶ 吸じんシステムの接続が可能な場合には、これらのシステムが適切に接続、使用されていることを確認してください。吸じんシステムを利用することにより、粉じん公害を防げます。
- ▶ 電動工具の取扱いに熟練している場合にも、正しい安全対策を遵守し、電動工具に関する安全規則を無視しないでください。不注意な取扱いは、ほんの一瞬で重傷事故を招くことがあります。

電動工具の使用および取扱い

- ▶ 無理のある使用を避けてください。作業用途に適した電動工具を使用してください。適切な電動工具の使用により、効率よく、スムーズかつ安全な作業が行えます。
- ▶ スイッチが故障している場合には、電動工具を使用しないでください。スイッチで始動および停止操作のできない電動工具は危険ですので、修理が必要です。



- ▶ 本体の設定やアクセサリーの交換を行う前や本体を保管する前には電源プラグをコンセントから抜き、および / または脱着式のバッテリーを取り外してください。この安全処置により、電動工具の意図しない始動を防止することができます。
- ▶ 電動工具をご使用にならない場所には、子供の手の届かない場所に保管してください。電動工具に関する知識のない方、本説明書をお読みでない方による本体のご使用は避けてください。未経験者による電動工具の使用は危険です。
- ▶ 電動工具とアクセサリーは慎重に手入れしてください。可動部分が引っ掛かりなく正常に作動しているか、電動工具の運転に影響を及ぼす各部分が破損・損傷していないかを確認してください。電動工具をご使用になる前に、損傷部分の修理を依頼してください。事故の多くは保守管理の不十分な電動工具の使用が原因となっています。
- ▶ 先端工具は鋭利で汚れない状態を保ってください。お手入れのゆきとどいた先端工具を使用すると、作業が簡単かつ、スムーズになります。
- ▶ 電動工具、アクセサリー、先端工具などは、それらの説明書に記載されている指示に従って使用してください。その際は、作業環境および用途についてもご注意ください。指定された用途以外に電動工具を使用すると危険な状況をまねく恐れがあります。
- ▶ グリップとグリップ面は乾燥した清潔な状態に保ち、オイルやグリスの付着がないようにしてください。グリップやグリップ面が滑りやすい状態になっていると、予期していない状況が発生した際に電動工具を安全に使用 / 制御できません。

バッテリー工具の使用および取扱い

- ▶ バッテリーを充電する場合は、必ずメーカー推奨の充電器を使用してください。特定タイプのバッテリー専用の充電器を他のバッテリーに使用すると、火災の恐れがあります。
- ▶ 電動工具には、必ず指定されたバッテリーを使用してください。指定以外のバッテリーを使用すると、負傷や火災の恐れがあります。
- ▶ 使用されていないバッテリーの近くに、事務用クリップ、硬貨、キー、釘、ネジ、その他の小さな金属物を置かないでください。電気接点の短絡が起こることがあります。バッテリーの電気接点間が短絡すると、火傷や火災が発生する危険があります。
- ▶ 正しく使用しないと、液漏れが発生することがあります。その場合、漏れた液には触れないでください。もしも触れてしまった場合は、水で洗い流してください。バッテリー液が眼に入った場合は、水で洗い流してから医師の診察を受けてください。流出したバッテリー液により、皮膚が刺激を受けたり火傷を負う恐れがあります。
- ▶ 損傷したあるいは変更が加えられたバッテリーは使用しないでください。損傷したあるいは変更が加えられたバッテリーは、予測不可能な挙動により爆発あるいは負傷事故を発生させる危険があります。
- ▶ バッテリーは火気あるいは高温に曝さないでください。火気あるいは 130 °C (265 °F) を超える高温は、爆発の原因となることがあります。
- ▶ 充電に関するすべての指示事項に従い、バッテリーあるいはバッテリー工具は、決して取扱説明書に記載された温度範囲外で充電しないでください。正しくない充電あるいは許容温度範囲外での充電により、バッテリーが破壊され火災が発生する危険があります。

サービス

- ▶ 電動工具の修理は必ず認定サービスセンターにお申し付けください。また、必ず純正部品を使用してください。これにより電動工具の安全性が確実に維持されます。
- ▶ 損傷したバッテリーは決して手入れや保守を行わないでください。バッテリーの保守作業はすべて、メーカーあるいは権限のあるお客様サービスセンターが行うものとします。

2.2 プレス工具に関するその他の安全上の注意

作業者に関する安全

- ▶ 本製品は、必ず技術的に問題のない状態で使用してください。
- ▶ 本体は決して加工や改造を加えないでください。
- ▶ ガス配管システム内で決してプレス作業を行わないでください、ただしこの工具に関してシステム供給者からの書面による許可があり、かつ特別に試験されたフィッティングを使用する場合は除きます。
- ▶ オイルが流出していることに気づいた場合は、工具の使用を中止し、Hilti サービスセンターにご連絡ください。周囲に流出したオイルを取り除いてください。
- ▶ ロックボルトが完全に挿入され確実にロックされていることを確認してください。
- ▶ ジョーに異物(しっくい、石材の残渣、金属切り屑、など)や損傷のないことを確認してください。損傷している、あるいは戻り返っているジョーは使用しないでください!
- ▶ プレス作業中は、常にプレスヘッドと手 / 指との間に十分な間隔があるように注意してください。
- ▶ プレス工具の電源は必ず作業場で入れてください。
- ▶ プレス工具は、常に両手でグリップを掴んでしっかりと保持してください。
- ▶ 保持ストラップとテザーは清潔で乾いた状態に保ってください。



- ▶ 作業を開始する前に、規定に従ってプレス工具およびジョー **NPR PM** を点検してください。装置およびジョーの点検が充分でないと、正しくないプレスの原因となり、作業者の安全が脅かされることがあります。プレス工具は、少なくとも 15,000 回のプレス、あるいはこの回数に達していなくても 1 年に 1 回は **Hilti** サービスセンターで点検を受けるようにしてください。ジョーは、1 年に 1 回 **Hilti** サービスセンターに保守を依頼してください。
- ▶ プレスしたパイプシステムではプレス作業に続けて密閉性の点検のために圧力テストを行い、漏れ（誤った使用に起因する漏れなど）を防止してください。

電気に関する安全注意事項

- ▶ 本体を使用する前に、作業者の作業領域内のすべての通電部品に通電のない状態にしてください。これが不可能な場合は、通電部品近くでの作業に対する適切な防護対策を施してください。
- ▶ プレス工具を使用する前に、作業領域に埋設された電線、ガス管や水道管がないことを確認してください。誤って電線、ガス管や水道管を損傷すると、外側の金属部分や通電部で感電事故が発生する恐れがあります。
- ▶ 通電している部品をプレスしないでください。本体は絶縁されておらず、そのためあなた自身とその近くにいる人を保護するのに適した個人保護用具（保護手袋、安全靴、保護服など）を着用して使用する必要があります。

電動工具の慎重な取扱いおよび使用

- ▶ 約 50 回の連続したプレス作業の後には電動工具をオフにし、約 15 分間冷ましてください。過熱は本体を損傷する原因となります。

2.3 バッテリーの慎重な取扱いおよび使用

- ▶ **Li-Ion** バッテリーの安全な取扱いと使用のために、以下の安全上の注意を遵守してください。これを守らないと、皮膚の炎症、重篤な腐食負傷、化学火傷、火災および / あるいは爆発の原因となることがあります。
- ▶ バッテリーは、必ず技術的に問題のない状態で使用してください。
- ▶ 損傷を防止して健康にとってきわめて危険なバッテリー液の漏出を防ぐため、バッテリーは慎重に取り扱ってください！
- ▶ バッテリーは決して改造したり手を加えたりしないでください！
- ▶ バッテリーを分解したり、挟んだり、80°C (176°F) 以上に加熱したり、燃やしたりしないでください。
- ▶ ぶつかけたり、あるいはその他の損傷を受けたバッテリーは、使用したり充電したりしないでください。
- ▶ バッテリーは、損傷の痕跡がないか定期的に点検してください。
- ▶ リサイクルあるいは修理されたバッテリーは、決して使用しないでください。
- ▶ バッテリーまたはバッテリー式電動工具は、決して打撃工具として使用しないでください。
- ▶ バッテリーは、決して直射日光、高温、火花の発生、裸身に曝さないでください。これを守らないと、爆発の原因となることがあります。
- ▶ バッテリーの電極に、指、工具、装身具あるいはその他の導電性のある物体で触れないようにしてください。これを守らないと、バッテリーの損傷、物財の損傷および負傷の原因となることがあります。
- ▶ バッテリーを雨、湿気、液体から保護してください。バッテリー内に湿気が入り込むと、短絡、感電、火傷、火災あるいは爆発の原因となることがあります。
- ▶ 必ずご使用のバッテリータイプ用に指定された充電器と電動工具を使用してください。これについては、充電器や電動工具の取扱説明書の記述を確認してください。
- ▶ バッテリーは、爆発の可能性がある場所で使用あるいは保管しないでください。
- ▶ バッテリーが掴むことのできないほどに熱くなっている場合は、故障している可能性があります。バッテリーを、目視確認が可能で可燃物のない場所に、可燃性の資材から十分な距離を設けて置いてください。バッテリーを冷ます。1 時間の経過後にも掴むことのできないほどに熱い場合は、そのバッテリーは故障している可能性があります。**Hilti** サービスセンターにご連絡いただくか、あるいは「**Hilti** の Li-Ion バッテリーの安全と使用についての注意事項」をお読みください。

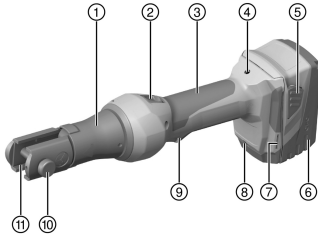


Li-Ion バッテリーの搬送、保管および使用に適用される特別の規則を遵守してください。☞ 37 本取扱説明書巻末の QR コードをスキャンして、**Hilti** の Li-Ion バッテリーの安全と使用についての注意事項をお読みください。



3 製品の説明

3.1 製品概要 1



- ① プレスヘッド
- ② エラーまたは非常時にジョーを開くためのリセットスイッチ
- ③ ハウジング
- ④ メンテナンスおよび故障インジケータ（赤 LED）
- ⑤ バッテリーのロック解除
- ⑥ バッテリー
- ⑦ 両側スロット、Hilti 落下暴発防止装置の固定用
- ⑧ 作業領域の照明用の白色 LED
- ⑨ 無段変速スイッチ
- ⑩ 本体ヘッドを開く / 閉じるためのロックボルト
- ⑪ ジョー

3.2 正しい使用

本書で説明している製品は、バッテリー式の電気油圧式プレス工具です。

本製品は、複合材パイプ、銅（Cu）パイプおよびスチールパイプの接続のためのフィッティングのプレスに使用するものです。

- 本製品には、必ずHiltiのB 22シリーズのLi-Ionバッテリーを使用してください。
- これらのバッテリーには、必ずHiltiが承認した充電器を使用してください。詳細情報については、弊社営業担当またはHilti Storeにお問い合わせいただくか、あるいはwww.hilti.groupでご確認ください。

3.3 Li-Ion バッテリーのインジケータ

Li-Ion バッテリーの充電状態および製品の不具合は、Li-Ion バッテリーのインジケータにより表示されません。Li-Ion バッテリーの充電状態は、2つのバッテリーリリースボタンのいずれかを押すと表示されます。

状態	意味
4 個の LED が点灯。	充電状態：75 %...100 %
3 個の LED が点灯。	充電状態：50 %...75 %
2 個の LED が点灯。	充電状態：25 %...50 %
1 個の LED が点灯。	充電状態：10 %...25 %
1 個の LED が点滅。	充電状態：< 10 %

- i** コントロールスイッチの操作中、およびこのスイッチから指を放してから 5 秒が経過するまでの間は、充電状態を確認することはできません。バッテリーのインジケータの LED が点滅している場合は、「故障時のヒント」の章の注意事項を確認してください。

3.4 本体標準セット構成

プレス工具、取扱説明書。

その他の本製品用に許可されたシステム製品については、弊社営業担当またはHILTI STOREにお問い合わせいただくか、あるいはwww.hilti.group

4 製品仕様

	NPR 019 IE-A22
定格電圧	21.6 V
EPTA Procedure 01 に準拠した重量 (B22/8.0 バッテリーを含む)	2.7 kg
プレス時間	≈ 4 s
最大プレス力	19 kN



	NPR 019 IE-A22
保管温度	-20 °C ... 70 °C
作動時の周囲温度	-17 °C ... 60 °C

4.1 騒音および振動値について (EN 62841 準拠)

本説明書に記載されているサウンドプレッシャー値および振動値は、規格に準拠した測定方法に基づいて測定したものです。電動工具を比較するのにご使用いただけます。曝露値の暫定的な予測にも適しています。記載されているデータは、電動工具の主要な使用方法に対する値です。電動工具を他の用途で使用したり、異なる先端工具を取り付けて使用したり、手入れや保守が十分でないまま使用した場合には、データが異なることがあります。このような相違により、作業時間全体で曝露値が著しく高くなる可能性があります。曝露値を正確に予測するためには、本体のスイッチをオフにしている時間や、本体が作動していても実際には使用していない時間も考慮しなければなりません。このような相違により、作業時間全体で曝露値が著しく低くなる可能性があります。

作業者を騒音および / または振動による作用から保護するために、他にも安全対策を立ててください(例：電動工具および先端工具の手入れや保守、手を冷やさないようにする、作業手順の編成)。

騒音値

サウンドパワーレベル (L _{WA})	80 dB(A)
サウンドパワーレベルの不確実性 (K _{WA})	2.5 dB(A)
排出サウンドプレッシャーレベル (L _{pA})	70 dB(A)
サウンドプレッシャーレベルの不確実性 (K _{pA})	2.5 dB(A)

振動値

合計振動値(作動中) (a)	2.5 m/s ²
不確実性 (K)	1.5 m/s ²

4.2 バッテリー

バッテリー作動電圧	21.6 V
周囲温度	-17 °C ... 60 °C
保管温度	-20 °C ... 40 °C

5 作業準備

警告

負傷の危険 意図しない始動！

- ▶ バッテリーを装着する前に、バッテリーを装着する製品のスイッチがオフになっていることを確認してください。
- ▶ 本体の設定、またはアクセサリーの交換の前にバッテリーを取り外してください。

本書および製品に記載されている安全上の注意と警告表示に注意してください。

5.1 バッテリーを充電する

1. 充電の前に充電器の取扱説明書をお読みください。
2. バッテリーと充電器の電気接点は汚れがなく、乾燥していることを確認してください。
3. バッテリーは許可された充電器で充電してください。 32

5.2 バッテリーを装着する

警告

負傷の危険 短絡あるいはバッテリーの落下！

- ▶ バッテリーを装着する前に、バッテリーの電気接点と製品の電気接点に異物がないことを確認してください。
- ▶ バッテリーが正しくロックされていることを常に確認してください。

1. はじめてお使いになる前にバッテリーをフル充電してください。



2. ロックの音が聞こえるまでバッテリーを製品へとスライドさせます。
3. バッテリーがしっかりと装着されていることを確認してください。

5.3 バッテリーを取り外す

1. バッテリーのリリースボタンを押します。
2. 本体からバッテリーを抜き取ります。

5.4 転倒防止装置

警告

負傷の危険 先端工具および / あるいはアクセサリーの落下！

- ▶ 必ずご使用の製品用に推奨されているHiltiの工具保持ローブを使用してください。
- ▶ 使用前の毎回、工具保持ローブの固定ポイントに損傷がないか点検してください。



ご使用の国において適用される高所での作業に関する規則に注意してください。

本製品の落下防止には、必ずHiltiの落下暴発防止装置#2293133 およびHiltiの工具保持ローブ#2261970を組み合わせて使用してください。

- ▶ 落下暴発防止装置をアクセサリー用の取り付け開口部に固定してください。しっかりと固定されていることを確認してください。
- ▶ 工具保持ローブのスナップフックを落下暴発防止装置に固定し、第2のスナップフックを支持構造物に固定します。両方のスナップフックがしっかりと固定されていることを確認してください。



Hilti 落下暴発防止装置およびHilti 工具保持ローブの取扱説明書の記載に注意してください。

5.5 ジョーを装着する

注意

負傷の危険！ 先端工具は熱くなっていること、および / またはエッジが鋭くなっていることがあります。

- ▶ 先端工具を交換する際には保護手袋を着用してください。
- ▶ 熱くなっている先端工具は可燃物の上に置かないでください。

警告

負傷の危険！ 製品は意図せず作動することがあります。

- ▶ ジョーを装着 / 交換 / 取り外す前にバッテリーを取り外してください。



本製品は決してジョーのない状態で操作しないでください！

適切なプレスを確実にし安全で問題のない使用を確実なものにするため、システム提供者および / または機械メーカーが本製品用に許可したジョーのみを使用してください。

1. バッテリーを取り外し、適切なジョーを選択します。
2. ロックボルトを押します。
3. ロックボルトを反時計方向にストップ位置まで回します。
4. ロックボルトを引き抜きます。
5. ジョーを装着します。
6. ロックボルトをロックするまでスライドさせます。
7. プレスヘッドを希望の作業位置に回します。



圧力がかかっていない状態では、プレスヘッドは非常に容易に回すことができます。



5.6 ジョーを取り外す

警告

負傷の危険！ 製品は意図せず作動することがあります。

▶ ジョーを装着 / 交換 / 取り外す前にバッテリーを取り外してください。

1. バッテリーを取り外し、プレスヘッドを元の位置に回します。
2. ロックボルトを押します。
3. ロックボルトを反時計方向にストップ位置まで回します。
4. ロックボルトを引き抜きます。
5. ジョーを本体から前方へと取り外します。

6 ご使用方法

本書および製品に記載されている安全上の注意と警告表示に注意してください。

6.1 プレスを行う

危険

感電による危険 不利な外部条件での作業は感電および / または短絡を引き起こす恐れがあります。

- ▶ 悪天候時には決して通電配線に対する作業を行わないでください。
- ▶ 天候条件が絶縁特性、作業員の視界や動作に影響を及ぼす場合は、直ちに作業を中止してください。

警告

高圧がかかって流出するオイルによる負傷の危険！ 高圧がかかって流出するオイルが皮膚や眼を傷つける恐れがあります。

- ▶ 損傷が確認された場合はプレス工具を使用しないでください。
- ▶ オイルが流出している場合はプレス工具を使用しないでください。
- ▶ プレス後には、その都度ピストンが戻っていることを確認してください。
- ▶ プレス後にピストンが戻らない場合は、手動戻り動作リセットスイッチを操作してください。

警告

危険！ ガス配管システム内でのプレスによるガス流出の危険！

- ▶ ガス配管システム内で決してプレス作業を行わないでください、ただしこの工具に関してシステム供給者からの書面による許可があり、かつ特別に試験されたフィッティングを使用して行う場合を除きます。

警告

飛散する破片による負傷の危険！ 破片が眼や身体の一部を傷つける恐れがあります。

- ▶ 保護メガネと保護手袋を着用してください。
- ▶ 適切な接合材料と正しいプレスリングおよびジョー / アダプタージョーを使用してください。
- ▶ プレス作業の前と作業中にはプレスリングとジョー / アダプタージョーが正しい位置にあることを確認してください。

注意

誤った取扱いによる物財の損傷！ 誤った取扱いによりプレス工具および / またはプレスリングが損傷する恐れがあります。

- ▶ 作業を開始する前に、プレスリングに埃がないことを確認してください。
- ▶ 作業を開始する前に、プレスリング、ロールアクチュエーター(取り付けられている場合) に潤滑剤および防錆スプレー(#308976) が塗布されていることを確認してください。
- ▶ メーカーのオリジナル取扱説明書を参照してください。



将来にわたり漏れのないプレスのための必要条件は、ジョーが完全に閉じた状態でプレスが終了することです。

プレスが早期に終了してしまったフィッティングは取り外すか、可能であればプレスし直す必要があります。



i 外気温が低いときは油圧オイルの粘度が上昇し、圧着を遅らせることがあります。空の圧着を5...10回行って、圧着工具をウォーミングアップしてください。

1. ジョーを装着します。 34
2. ジョーレグを押し込みます。
 - ▶ ジョーが開きます。
3. プレスするフィッティングをジョーで挟みます。
4. ピストンが戻るまでコントロールスイッチを押し続けます。
 - ▶ プレスは正常に終了しました。

7 手入れと保守

警告

メンテナンスを行わないと負傷の危険があります！

- ▶ 15000 サイクルの後または1年が経過したなら、認定Hilti Service Center によるメンテナンスを行う必要があります。定期的なメンテナンスを怠ると、作業者の安全に重大な危険が生じたり、不適切なプレスの原因となったりすることがあります。

警告

バッテリーを装着した状態における負傷の危険！

- ▶ 手入れや保守作業の前に必ずバッテリーを取り外してください！

製品の手入れ

- 付着した汚れを慎重に除去してください。
- 汚れが付着している場合は、通気溝を乾いた柔らかいブラシを使用して慎重に掃除してください。
- 必ず少し湿した布でハウジングを拭いてください。シリコンを含んだ磨き粉はプラスチック部品をいためる可能性があるので使用しないでください。
- 本製品の電気接点を清掃するには、清潔な乾いた布を使用してください。

Li-Ion バッテリーの手入れ

- 通気溝が詰まっているバッテリーは決して使用しないでください。通気溝を乾いた柔らかいブラシを使用して慎重に掃除してください。
- バッテリーを不必要に粉じんや汚れに曝さないようにしてください。バッテリーは、決して高い湿度に曝さないでください(例：水中に沈める、あるいは雨中に放置する)。
- 水分が浸入したバッテリーは、損傷したものとして取り扱ってください。そのようなバッテリーは不燃性の容器に隔離し、Hilti サービスセンターにご連絡ください。
- バッテリーには、本製品に使用しているのではないオイルやグリスが付着しないようにしてください。バッテリーに不必要な粉じんあるいは汚れが堆積しないようにしてください。バッテリーは、乾いた柔らかいブラシまたは乾いた布で清掃してください。シリコンを含んだ磨き粉はプラスチック部品をいためる可能性があるので使用しないでください。
- バッテリーの電気接点に手を触れないでください、また、工場出荷時に塗布されているグリスを電気接点からぬぐい取らないでください。
- 必ず少し湿した布でハウジングを拭いてください。シリコンを含んだ磨き粉はプラスチック部品をいためる可能性があるので使用しないでください。

保守

警告

感電による危険！ 電気部品の誤った修理は、重傷事故および火傷の原因となることがあります。

- ▶ 電気部品の修理を行うことができるのは、訓練された修理スペシャリストだけです。
- 目視確認可能なすべての部品については損傷の有無を、操作エレメントについては問題なく機能することを定期的に点検してください。
- 損傷および / または機能に問題のある場合は、本製品を使用しないでください。速やかにHilti サービスセンターに本製品の修理を依頼してください。
- 手入れおよび保守作業の後は、すべての安全機構を取り付けて、それらが問題なく作動するか点検してください。



i 安全な作動のために、必ず純正のスペアパーツ、消耗品、アクセサリを使用してください。本製品向けにHiltiが承認したスペアパーツ、消耗品およびアクセサリは、弊社営業担当またはHilti Storeにお問い合わせいただくか、あるいはwww.hilti.groupでご確認ください。

8 バッテリー式工具およびバッテリーの搬送および保管

搬送

⚠ 注意

搬送時の予期しない始動！

- ▶ お使いの製品は、必ずバッテリーを装着していない状態で搬送してください！
- ▶ バッテリーを取り外してください。
- ▶ バッテリーは決して梱包しない状態で搬送しないでください。搬送中のバッテリーは、他のバッテリー電極と接触して短絡の原因となることを防ぐために、過大な衝撃や振動から保護し、あらゆる導電性の物体あるいは他のバッテリーから隔離する必要があります。バッテリーの搬送に関する各国(地域)の規則を遵守してください。
- ▶ バッテリーは郵送しないでください。損傷していないバッテリーを送付する場合は、運送業者を手配してください。
- ▶ 使用前の前にその都度、また長距離の搬送の前には、製品とバッテリーに損傷がないか点検してください。

保管上の注意事項

⚠ 警告

故障したあるいは液漏れしたバッテリーによる予期しない損傷！

- ▶ お使いの製品は、必ずバッテリーを装着していない状態で保管してください！
- ▶ 製品とバッテリーは涼しくて乾燥した場所に保管してください。製品仕様に記載されている温度の限界値に注意してください。
- ▶ バッテリーは充電器内で保管しないでください。充電の後は、必ずバッテリーを充電器から取り出してください。
- ▶ バッテリーを太陽の直射下、熱源の上、窓際等で保管しないでください。
- ▶ 製品およびバッテリーは、子供や権限のない人が手を触れることのないようにして保管してください。
- ▶ 使用前の前にその都度、また長期にわたる保管の前には、製品とバッテリーに損傷がないか点検してください。

9 故障時のヒント

この表に記載されていない、あるいはご自身で解消することのできない故障が発生した場合には、弊社営業担当またはHilti サービスセンターにご連絡ください。

9.1 プレス工具は作動不能状態

故障	考えられる原因	解決策
バッテリーのLEDがなにも表示しない。	バッテリーが完全に装着されていない。	▶ バッテリーを「カチッカチツ」と音がするまでロックしてください。
	バッテリーが放電している。	▶ バッテリーを交換し、空のバッテリーを充電してください。
	バッテリーの温度が高すぎる、または低すぎる。	▶ バッテリーを冷ますか、あるいはバッテリーを室内温度にしてください。
バッテリーの1個のLEDが点滅。	バッテリーが放電している。	▶ バッテリーを交換し、空のバッテリーを充電してください。
	バッテリーの温度が高すぎる、または低すぎる。	▶ バッテリーを冷ますか、あるいはバッテリーを室内温度にしてください。
バッテリーの4個のLEDが点滅。	製品の短時間の過負荷。	▶ 製品を冷ましてください。



故障	考えられる原因	解決策
LED (赤) => 警告音がして常時点灯。	技術的な問題。	▶ 不正使用の可能性あり！ Hilti サービスセンターに連絡してください。
LED (赤) => 警告音がして短かく点滅。	完全に作動させるにはバッテリーの充電状態が低すぎる。	▶ バッテリーを交換し、空のバッテリーを充電してください。
LED (赤) => 警告音なしで短時間点灯。	製品の過熱。	▶ 製品を冷ましてください。

9.2 プレス工具は作動可能状態

故障	考えられる原因	解決策
バッテリーの消耗が通常よりも早い。	周囲温度が低すぎる。	▶ バッテリーをゆっくり室温まで暖めてください。
バッテリーが「カチカチ」と音がするまでロックされない。	バッテリーのロックノッチが汚れている。	▶ ロックノッチを清掃してバッテリーを改めてロックしてください。
LED (赤) => 警告音がして長く点滅。	プレス圧に達しない(誤った使用)。	▶ 適切に使用しているか確認し、必要に応じてプレスを点検してください。
LED (赤) => 警告音がして常時点灯。	技術的な問題。	▶ 不正使用の可能性あり！ Hilti サービスセンターに連絡してください。
LED (赤) => 警告音なしで常時点灯。	製品のメンテナンスが必要。	▶ Hilti サービスセンターに連絡してください。

10 廃棄

警告

誤った廃棄による負傷の危険！ 漏出するガスあるいはバッテリー液により健康を損なう危険があります。

- ▶ 損傷したバッテリーを送付しないでください！
- ▶ 短絡を防止するために接続部を非導電性のもので覆ってください。
- ▶ バッテリーは子供が手を触れることのないように廃棄してください。
- ▶ バッテリーの廃棄は、最寄りの**Hilti Store** あるいは適切な廃棄物処理業者に依頼してください。

Hilti 製品の大部分の部品はリサイクル可能です。リサイクル前にそれぞれの部品は分別して回収されなければなりません。多くの国で**Hilti** は、古い工具をリサイクルのために回収しています。詳細については弊社営業担当または**Hilti** 代理店・販売店にお尋ねください。



- ▶ 電動工具、電子機器およびバッテリーを一般ゴミとして廃棄してはなりません！

11 RoHS (有害物質使用制限に関するガイドライン)

下記のリンクより、有害物質を記載した表を確認できます：qr.hilti.com/r7794691。

本書の最終ページに RoHS 表にリンクした QR コードがあります。

12 メーカー保証

- ▶ 保証条件に関するご質問は、最寄りの**Hilti** 代理店・販売店までお問い合わせください。



오리지널 사용 설명서

1 사용 설명서 관련 정보

1.1 본 사용 설명서에 관하여

- 경고! 제품을 사용하기 전에, 제품과 함께 제공되는 사용 설명서와 설명서에 제시된 지침, 안전상의 주의사항 및 경고사항, 그림 및 사양 등을 잘 읽고 이해해야 합니다. 특히 모든 지침, 안전상의 주의사항 및 경고사항, 그림, 사양과 구성 요소 및 기능을 숙지해야 합니다. 유의하지 않을 경우, 감전, 화재 발생 및/또는 중상을 입을 위험이 있습니다. 추후 사용 시에도 활용할 수 있도록 관련 지침, 안전상의 주의사항 및 경고사항이 포함된 사용 설명서를 잘 보관하십시오.
- 제품은 전문가용으로 설계되어 있으며, 해당 교육을 이수한 공인된 작업자를 통해서만 조작, 유지보수 및 수리 작업을 진행할 수 있습니다. 이 기술자는 발생할 수 있는 위험에 대해 특별 교육을 받은 상태여야 합니다. 교육을 받지 않은 사람이 제품을 부적절하게 취급하거나 규정에 맞지 않게 사용할 경우에는 기기와 그 보조기구에 의해 부상을 당할 위험이 있습니다.
- 함께 제공되는 사용 설명서는 인쇄 시점의 최신 기술 버전을 반영하여 작성됩니다. 최신 버전은 항상 Hilti 제품 사이트의 온라인 버전을 참조하십시오. 온라인 버전을 참고하고자 할 경우, 본 사용 설명서에 제시된 링크 혹은 기호로 표시된 QR 코드를 클릭하십시오.
- 제품을 다른 사람에게 양도할 때는 본 사용 설명서도 반드시 함께 넘겨주십시오.

수입업체(상호)명: 힐티코리아㈜
A/S: 080-220-2000

1.2 기호 설명

1.2.1 경고사항

본 제품을 다루면서 발생할 수 있는 위험에 대한 경고사항. 다음과 같은 시그널 워드가 사용됩니다.

위험

위험!

- ▶ 이 기호는 직접적인 위험을 표시합니다. 만약 지키지 않으면 심각한 부상을 당하거나 사망할 수도 있습니다.

경고

경고!

- ▶ 이 기호는 잠재적인 위험을 표시합니다. 만약 지키지 않으면 심각한 부상을 당하거나 사망할 수도 있습니다.

주의

주의!

- ▶ 이 기호는 잠재적인 위험 상황을 표시합니다. 만약 지키지 않으면 부상 또는 물적 손실을 입을 수 있습니다.

1.2.2 사용 설명서에 사용된 기호

본 사용 설명서에서 사용되는 기호는 다음과 같습니다.

	사용 설명서에 유의하십시오
	적용 지침 및 기타 유용한 사용정보
	재사용이 가능한 자재 취급방법
	전기 기기 및 배터리를 일반 가정의 쓰레기처럼 폐기해서는 안 됨
	Hilti 리튬 이온 배터리
	Hilti 충전기

1.2.3 그림에 사용된 기호

그림에 다음과 같은 기호가 사용됩니다.



2207113

2	이 숫자는 본 사용 설명서 첫 부분에 있는 해당 그림을 나타냅니다.
3	매겨진 숫자는 작업 단계의 순서를 나타내며, 텍스트에 매겨진 작업 단계와 차이가 있을 수 있습니다.
⑪	항목 번호는 개요 그림에서 사용되며, 제품 개요 단락에 나와 있는 기호 설명 번호를 나타냅니다.
	이 표시는 제품을 다룰 때, 특별히 주의할 사항을 나타냅니다.

1.3 제품에 사용된 기호

1.3.1 제품 관련 기호

제품에 사용되는 기호는 다음과 같습니다.

	압착 위험!
	직류
	본 기기는 iOS 및 Android 플랫폼과 호환 가능한 NFC 기술을 지원합니다.
Li-Ion	리튬이온 배터리
	사용한 Hilti 리튬이온 배터리 모델 시리즈. 규정에 맞는 사용 단위에 제시된 내용에 유의하십시오.
	배터리는 절대 타격 공구로 사용해서는 안 됩니다.
	배터리를 떨어뜨리지 마십시오. 타격을 받은 적이 있거나 다른 손상이 있는 배터리는 사용하지 마십시오.
	제품에 적용되어 있는 경우, 통용되는 규정에 따라 미국과 캐나다 시장의 해당 인증 기관으로부터 제품이 인증되었음을 의미합니다.

1.4 제품 정보

HILTI 제품은 전문가용으로 설계되어 있으며, 해당 교육을 이수한 공인된 작업자를 통해서만 조작, 유지 보수 및 수리 작업을 진행할 수 있습니다. 이 기술자는 발생할 수 있는 위험에 대해 특별 교육을 받은 상태여야 합니다. 교육을 받지 않은 사람이 제품을 부적절하게 취급하거나 규정에 맞지 않게 사용할 경우에는 기기와 그 보조기구에 의해 부상을 당할 위험이 있습니다.

형식 명칭 및 일련 번호는 형식 라벨에 제시되어 있습니다.

▶ 일련 번호를 다음의 표에 옮기십시오. 대리점 또는 서비스 센터에 문의할 경우 제품 제원이 필요합니다.

제품 제원

압착기	NPR 019 IE-A22
세대	01
일련 번호	

1.5 적합성 선언

본 제조사는 단독 책임 하에 여기에 기술된 제품이 통용되는 법 규정 및 규범과 일치함을 밝힙니다. 적합성 증명서 사본은 본 문서 끝 부분에서 확인할 수 있습니다.

기술 문서는 이곳에 기술되어 있습니다.

Hilti Entwicklungsgesellschaft mbH | Zulassung Geräte | Hiltistraße 6 | 86916 Kaufering, DE

2 안전

2.1 전동 공구에 대한 일반적인 안전상의 주의사항

경고 해당 전동 공구와 함께 동봉된 모든 안전상의 주의 사항, 지침, 그림 및 기술자료를 숙지하십시오. 다음과 같은 지침 내용을 준수하지 않으면 전기 충격, 화재가 발생하거나 그리고/또는 중상을 입을 수 있습니다. 앞으로 모든 안전상의 주의사항과 지침을 보관하십시오.



안전상의 주의사항에서 사용되는 "전동 공구"라는 개념은 전원에 연결하여 사용하는 전동 공구(전원 케이블 있음) 또는 배터리를 사용하는 전동 공구(전원 케이블 없음)를 의미합니다.

작업장 안전수칙

- ▶ 작업장을 항상 깨끗이 하고 조명이 잘 들도록 하십시오. 어수선한 작업환경 또는 어두운 작업장은 사고를 초래할 수 있습니다.
- ▶ 인화성 액체, 가스 또는 먼지가 있어 폭발 위험이 있는 환경에서는 전동 공구를 사용하지 마십시오. 전동 공구는 먼지나 증기를 점화시킬 수 있는 스파크를 일으킵니다.
- ▶ 전동 공구를 사용할 때, 어린이들이나 다른 사람들이 작업장에 접근하지 못하도록 하십시오. 다른 사람의 방해로 인해 기기를 통제하기 어렵습니다.

전기에 관한 안전수칙

- ▶ 전동 공구의 전원 플러그가 소켓에 잘 끼워져야 합니다. 플러그를 절대 변형시켜서는 안됩니다. 접지된 전동 공구와 함께 아답타 플러그를 사용하지 마십시오. 변형되지 않은 플러그와 적합한 소켓을 사용하면 감전의 위험을 줄일 수 있습니다.
- ▶ 파이프, 히터, 전기레인지, 냉장고와 같은 접지 표면에 신체 접촉을 피하십시오. 신체에 닿을 경우 감전될 위험이 높습니다.
- ▶ 전동 공구가 비에 맞지 않도록 하고 습한 장소에 두지 마십시오. 전동 공구에 물이 들어가면 감전될 위험이 높습니다.
- ▶ 전원 케이블만 잡고 전동 공구를 운반하거나 걸어 놓아서는 안되며, 소켓에서 전원 플러그를 빼낼 때 케이블만 잡은 채로 빼내지 마십시오. 전원 케이블이 열, 오일, 날카로운 모서리 또는 부품의 가동 부위에 접촉하지 않도록 주의하십시오. 손상되거나 서로 꼬인 전원 케이블은 감전 위험을 높입니다.
- ▶ 실외에서 전동 공구를 이용하여 작업할 때, 실외용으로 승인된 연장 케이블만 사용하십시오. 실외용 연장 케이블을 사용하면 감전의 위험을 줄여줍니다.
- ▶ 전동 공구를 습한 환경에서 사용하는 것을 피할 수 없을 경우, 누전 차단기를 사용하십시오. 누전 차단기를 사용하면 감전 위험을 줄일 수 있습니다.

사용자 안전수칙

- ▶ 신중하게 작업하십시오. 작업에 정신을 집중하고 전동 공구를 사용할 때 경솔하게 행동하지 마십시오. 피곤하거나 항정신성 약물, 술 또는 약을 복용시에는 전동 공구를 사용하지 마십시오. 전동 공구 사용 시 이에 유의하지 않을 경우 심각한 부상을 초래할 수 있습니다.
- ▶ 안전 장비를 갖추고 보안경을 착용하십시오. 전동 공구의 종류와 사용에 따라, 먼지 보호 마스크, 미끄럼 방지용 안전 신발, 안전모 또는 귀마개 등과 같은 안전한 보호장비를 착용하면 부상의 위험을 줄일 수 있습니다.
- ▶ 실수로 기기가 작동하지 않도록 주의하십시오. 전동 공구를 전원 그리고/또는 배터리에 연결하기 전, 보관 또는 운반 전에 전동 공구가 스위치 OFF 상태인지 확인하십시오. 전동 공구 운반 시 스위치에 손가락을 대거나 스위치가 켜진 상태에서 전원을 연결하면 사고를 유발할 수 있습니다.
- ▶ 전동 공구의 스위치를 켜기 전, 조정공구 또는 렌치를 제거하십시오. 기기 회전부에 남아있는 공구나 렌치로 인해 부상을 입을 수 있습니다.
- ▶ 작업 시 비정상적인 자세는 피하십시오. 안전한 작업자세가 되도록 하고, 항상 균형을 유지하십시오. 이렇게 하여 예기치 않은 상황에서도 전동 공구를 잘 제어할 수 있습니다.
- ▶ 적합한 작업복을 착용하십시오. 헐렁한 복장이나 장식품을 착용하지 마십시오. 작동하는 기기 가동 부위에 머리, 옷 그리고 장갑이 가까이 닿지 않도록 주의하십시오. 헐렁한 복장, 장식품 혹은 긴 머리가 가동 부위에 밀려 들어갈 수 있습니다.
- ▶ 먼지 제거장치나 수거장치를 설치할 수 있는 기기의 경우, 이 장치들이 연결되어 있는지 그리고 제대로 작동되는지를 확인하십시오. 먼지 포집장치 사용은 먼지로 인한 위험을 줄여줄 수 있습니다.
- ▶ 이 전동 공구를 여러번 사용해왔다고 해서 안전하다고 안심하지 말고 전동 공구에 해당되는 안전 규칙을 무시하지 마십시오. 부주의하게 행할 경우 아주 짧은 순간에 중상을 입을 수 있습니다.

전동 공구의 취급과 사용

- ▶ 기기에 과부하가 걸리지 않도록 하십시오. 귀하의 작업에 적합한 전동 공구를 사용하십시오. 적합한 전동 공구를 사용하면, 지정된 성능 한도 내에서 더 효율적으로 안전하게 작업할 수 있습니다.
- ▶ 스위치가 고장난 전동 공구는 사용하지 마십시오. 스위치가 작동되지 않는 전동 공구는 위험하므로, 반드시 수리를 해야 합니다.
- ▶ 기기 세팅을 실행, 액세서리를 교환 또는 기기를 보관하기 전에 컨택터를 전원소켓에서 그리고/또는 탈착식 배터리를 기기에서 빼놓으십시오. 이러한 조치는 실수로 전동 공구가 작동하지 않도록 방지합니다.
- ▶ 사용하지 않는 전동 공구는 어린이들의 손이 닿지 않는 곳에 보관하십시오. 기기 사용에 익숙치 않거나 또는 이 안전수칙을 읽지 않은 사람이 기기를 사용해서는 안 됩니다. 비숙련자가 전동 공구를 사용하면 위험합니다.
- ▶ 전동 공구 및 액세서리를 유의해서 관리하십시오. 기기의 가동 부위가 완벽하게 작동하는지, 끼어 있지 않은지, 혹은 부품이 손상되거나 파손되어 있어 전동 공구의 기능을 저하시키지 않는지 점검하십시오. 기기 사용 전 손상된 부품을 수리하도록 하십시오. 제대로 관리되지 않은 전동 공구는 많은 사고를 유발합니다.



- ▶ 절단기기는 날카롭고 깨끗하게 관리하십시오. 날카로운 절단면이 있고 잘 관리된 절단기기는 끼이는 경우가 드물고 조절하기도 쉽습니다.
- ▶ 본 지침에 따라 전동 공구, 액세서리, 공구 비트 등을 사용하십시오. 이 때 작업 조건과 실시하려는 작업 내용을 고려하십시오. 원래 사용 분야가 아닌 다른 작업에 전동 공구를 사용할 경우, 위험한 상황을 초래할 수 있습니다.
- ▶ 손잡이 및 손잡이 표면은 건조하고 깨끗하게, 그리고 오일과 그리스가 묻어있지 않도록 해야 합니다. 미끄러운 손잡이 및 손잡이 표면은 예상치 못한 상황에서 전동 공구를 안전하게 조작하고 제어할 수 없습니다.

배터리 공구의 취급과 사용

- ▶ 제조회사가 권장한 충전기에만 배터리를 충전시키십시오. 특정한 형식의 배터리를 사용하도록 규정되어 있는 충전기에 다른 배터리를 사용할 경우 화재 발생의 위험이 있습니다.
- ▶ 전동 공구에 적합하게 규정된 배터리만 사용하십시오. 다른 배터리를 사용하면 부상을 입을 수 있고, 화재가 발생할 수 있습니다.
- ▶ 배터리를 사용하지 않을 경우 클립, 동전, 키, 못, 나사 또는 다른 소형 금속 물질로부터 사용하지 않는 배터리를 멀리 떨어뜨려 놓아주십시오. 배터리 간 단락으로 인한 연소 또는 화재를 초래할 수 있습니다.
- ▶ 잘못 사용할 경우, 배터리로부터 전해액이 흘러나올 수 있습니다. 전해액을 직접 만지지 마십시오. 실수로 만졌을 경우, 물로 씻으십시오. 전해액이 눈에 들어갔으면, 의사와 상담하십시오. 배터리로부터 흘러나온 전해액은 피부를 손상시킬 수 있으며, 화재를 발생시킬 수 있습니다.
- ▶ 손상된 배터리 또는 변경된 배터리를 사용하지 마십시오. 손상된 배터리 또는 변경된 배터리는 예상치 못한 상황 및 화재, 폭발 또는 부상 위험을 초래할 수 있습니다.
- ▶ 배터리에서 불꽃이 발생하거나 또는 배터리가 너무 높은 온도에 노출되지 않게 하십시오. 불꽃 또는 온도가 130 °C (265 °F)를 넘으면 폭발을 일으킬 수 있습니다.
- ▶ 충전에 관한 모든 지침을 준수하여 배터리 또는 배터리 공구를 절대 사용 설명서에 제시된 범위를 벗어난 온도에서 충전하지 마십시오. 잘못 충전하거나 허용된 범위를 벗어난 온도에서 충전하면 배터리가 파손되어 화재 발생 위험이 높아질 수 있습니다.

서비스

- ▶ 전동 공구는 반드시 자격을 갖춘 전문 기술자에 의해 그리고 순정 대체부품만 이용하여 수리해야 합니다. 이렇게 하여 기기의 안전성을 계속해서 유지할 수 있습니다.
- ▶ 손상된 배터리를 절대 수리하지 마십시오. 배터리 수리는 제조회사 또는 권한을 위임받은 고객 서비스센터에서만 이루어져야 합니다.

2.2 압착 공구의 추가적인 안전 주의사항

사용자 안전수칙

- ▶ 기술적 하자가 없는 상태에서만 제품을 사용하십시오.
- ▶ 어떠한 경우에도 기기를 변조 또는 개조하지 마십시오.
- ▶ 시스템 제공업체가 본 공구 및 특수 인증된 피팅과 함께 사용하는 것을 명문상으로 승인한 경우가 아니면 가스 서비스관 내에서는 절대 압착 작업을 진행하지 마십시오.
- ▶ 흘러내린 오일이 확인되면 더 이상 공구를 사용하지 말고 Hilti 서비스 센터에 문의하십시오. 흘러내린 오일을 즉시 제거하십시오.
- ▶ 스톱핀을 끝까지 밀어넣고 안전하게 맞물려 끼워졌는지 확인하십시오.
- ▶ 압착 조에 이물질(예: 모르타르, 석재 잔여물, 금속 칩 등)이 남아 있지 않은지 및 손상된 곳은 없는지 확인하십시오. 압착 조가 손상되거나 또는 굽은 경우에는 절대 사용해서는 안 됩니다!
- ▶ 압착 절차 중에는 반드시 스톱핀 헤드와 손 및 손가락 사이의 충분한 간격에 주의하십시오.
- ▶ 압착 공구를 작업 위치에 놓은 후에 전원을 켜십시오.
- ▶ 항상 양손으로 압착 공구의 손잡이를 잡고 공구를 고정시키십시오.
- ▶ 낙하방지벨트 및 고정핀을 체결하고 건조한 상태로 유지하십시오.
- ▶ 작업을 시작하기 전에 해당 규정에 따라 압착기 및 압착 조 **NPR PM** 상태를 점검하십시오. 기기 및 조를 충분히 점검하지 않으면 압착 작업이 제대로 되지 않아 작업자의 안전을 위협할 수 있습니다. 압착기는 적어도 15,000회의 압착 작업 후, 최소 1년에 한 번은 Hilti 서비스 센터를 통해 점검받아야 합니다. 압착 조는 매년 Hilti 서비스 센터를 통해 유지보수를 받아야 합니다.
- ▶ 마지막으로 누설 점검을 위한 압착된 파이프 시스템에서 압력 테스트를 진행하여 (잘못된 사용 등으로 인한) 누설이 발생하지 않게 하십시오.

전기에 관한 안전수칙

- ▶ 기기를 사용하기 전에 전류가 흐르는 부품은 모두 조작자가 있는 작업 영역에서 전압이 흐르지 않도록 전 환해야 합니다. 이러한 작업이 불가능하다면 전압이 흐르는 부품 근처에서 작업할 때 해당되는 보호 조치를 취하십시오.



- ▶ 압착 공구를 사용하기 전에 작업장 내에 숨겨진 전기 배선 및 가스관 또는 수도관이 있는지 확인하십시오. 실수로 전기 배선, 가스관 또는 수도관을 손상시킬 경우 전류가 흐르는 바깥쪽 금속 부품으로 인해 전기 충격에 노출될 수 있습니다.
- ▶ 전압이 흐르는 부품은 절대 압착하지 마십시오. 본 기기는 절연되어 있지 않으므로, 작업자 자신 및 근처에 있는 사람을 보호할 수 있도록 적합한 개인 보호장비(보호장갑, 안전화, 보호 복장 등)를 착용한 후 사용해 야 합니다.

전동공구의 올바른 사용방법과 취급방법

- ▶ 약 50회 연속으로 압착 작업한 후에는 전동공구의 전원을 끈 후 약 15분간 식히십시오. 과열로 인해 기기가 손상될 수 있습니다.

2.3 배터리의 올바른 사용방법과 취급방법

- ▶ 리튬 이온 배터리를 보다 안전하게 취급하고 사용할 수 있도록 다음과 같은 안전상의 주의 사항에 유의하십시오. 유의하지 않을 경우 피부 자극, 심각한 부식성 부상, 화학 화상, 화재 및/또는 폭발을 유발할 수 있습니다.
- ▶ 기술적 하자가 없는 상태에서만 배터리를 사용하십시오.
- ▶ 배터리를 조심히 다루어 손상되지 않고, 건강에 유해한 액체가 흘러나오지 않게 하십시오!
- ▶ 배터리는 어떠한 경우에도 개조 또는 변조해서는 안 됩니다!
- ▶ 배터리를 분해하거나 강한 압력 또는 80 °C (176 °F) 이상의 열을 가하거나 연소시켜서는 안 됩니다.
- ▶ 타격을 받은 적이 있거나 다른 손상이 있는 배터리는 사용 또는 충전하지 마십시오. 손상될 기미가 보이는 지 정기적으로 점검하십시오.
- ▶ 재활용 또는 수리한 배터리는 절대 사용하지 마십시오.
- ▶ 배터리 또는 배터리 구동식 전동 공구를 절대 타격 공구로 사용하지 마십시오.
- ▶ 배터리가 직사광선, 고온, 스파크 또는 불꽃에 절대 노출되지 않도록 하십시오. 이로 인해 폭발이 발생할 수 있습니다.
- ▶ 배터리 전극을 손가락, 공구, 장신구 또는 다른 전도성 물체를 통해 만지지 마십시오. 이는 배터리 손상, 물적 손상 및 부상을 유발할 수 있습니다.
- ▶ 배터리가 비 또는 습기 및 액체에 노출되지 않게 하십시오. 습기가 유입되면 단락, 감전, 화재, 불꽃 및 폭발이 일어날 수 있습니다.
- ▶ 배터리 타입에 해당되는 충전기 및 전동공구만 사용하십시오. 이를 위해 해당 사용 설명서에 적혀 있는 내용을 확인하십시오.
- ▶ 폭발 위험이 있는 환경에서 배터리를 사용하거나 보관하지 마십시오.
- ▶ 배터리를 잡기에 너무 뜨거운 경우에는 고장일 수 있습니다. 배터리를 인화성 물질과 충분한 거리를 둔 상태에서 눈에 잘 띄며 불이 잘 붙지 않는 장소에 두십시오. 배터리를 냉각시키십시오. 한 시간 후에도 계속 해서 배터리를 잡기에 너무 뜨거운 경우에는 배터리에 결함이 있을 수 있습니다. **Hilti** 서비스 센터에 문의 하거나 "안전 및 **Hilti** 리튬 이온 배터리 작업 관련 지침" 문서 내용을 확인하십시오.

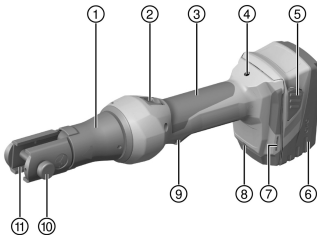


리튬 이온 배터리의 운반, 보관 및 사용 시 적용되는 특수 가이드라인에 유의하십시오. 48

안전 및 **Hilti** 리튬 이온 배터리 작업 관련 지침은 본 사용 설명서의 끝부분에 제시된 QR 코드를 통해 확인할 수 있습니다.

3 제품 설명

3.1 제품 개요



- ① 압착 헤드
- ② 문체 발생 시 또는 비상 시 압착 조를 열기 위한 리셋 스위치
- ③ 하우징
- ④ 유지보수 표시기 및 오류 표시기(적색 LED)
- ⑤ 배터리 잠금 해제장치
- ⑥ 배터리
- ⑦ 양쪽 슬롯, **Hilti** 낙하방지장치 고정용
- ⑧ 작업 영역 조명을 위한 흰색 LED
- ⑨ 컨트롤 스위치
- ⑩ 기기 헤드를 열기/닫기 위한 스톱핀
- ⑪ 압착 조



3.2 규정에 적합한 사용

기술된 제품은 배터리로 구동되는 전자 유압식 압착기입니다. 복합재, 구리(Cu) 및 강철관 연결을 위한 피팅의 압착 작업 용도로 사용됩니다.

- 본 제품에는 모델시리즈 B 22의 Hilti 리튬 이온 배터리만 사용하십시오.
- 해당 배터리에는 Hilti에서 승인한 충전기만 사용하십시오. 자세한 정보는 Hilti Store 또는 www.hilti.group에서 확인할 수 있습니다.

3.3 리튬 이온 배터리 표시

리튬 이온 배터리의 충전 상태 및 제품의 문제 발생 여부는 리튬 이온 배터리의 표시기를 통해 알 수 있습니다. 리튬 이온 배터리의 충전 상태는 배터리 잠금해제 버튼 둘 중 하나를 누르면 표시됩니다.

상태	의미
4개의 LED가 점등됩니다.	충전 상태: 75 % ~ 100 %
3개의 LED가 점등됩니다.	충전 상태: 50 % ~ 75 %
2개의 LED가 점등됩니다.	충전 상태: 25 % ~ 50 %
1개 LED가 점등됩니다.	충전 상태: 10 % ~ 25 %
1개 LED가 깜박입니다.	충전 상태: < 10 %

컨트롤 스위치가 조작된 상태에서 컨트롤 스위치에서 손을 뗀 후 5초까지는 충전 상태를 조회할 수 없습니다. 배터리 표시기의 LED가 점멸할 경우, "고장 시 대책" 장의 지침에 유의하십시오.

3.4 공급품목

압착기, 사용 설명서.

해당 제품에 허용되는 기타 시스템 제품은 HILTI STORE 또는 온라인에서 확인할 수 있습니다. www.hilti.group

4 기술자료

	NPR 019 IE-A22
정격 전압	21.6V
EPTA Procedure 01에 따른 무게(배터리 포함)B228.0	2.7kg
압착 시간	≈ 4초
최대 압착력	19kN
보관 온도	-20 °C ... 70 °C
작동 시 주변 온도	-17 °C ... 60 °C

4.1 EN 62841에 따른 소음 정보 및 진동값

이 지침에 제시된 음압 및 진동수준은 표준화된 측정방법에 따라 측정된 것이며, 전동 공구를 서로 비교하기 위한 용도로 사용할 수 있습니다. 음압 및 진동 수준은 노출 정도를 사전에 예측하는 데에도 유용하게 사용할 수 있도록 설계되어 있습니다.

제시된 데이터는 전동 공구의 주된 용도를 나타냅니다. 그러나 전동 공구를 다른 용도로 사용하거나 다른 공구 비트를 사용할 경우 또는 유지보수를 충분히 하지 않은 상태에서는 데이터에 편차가 있을 수 있습니다. 이러한 경우 전 작업시간에 걸쳐 노출이 현저하게 증가할 수 있습니다.

노출을 정확하게 평가하기 위해서는 기기 작동이 멈춰 있거나 또는 작동 중이지만 실제로는 사용하지 않는 시간도 고려해야 합니다. 이러한 경우 전 작업시간에 걸쳐 노출이 현저하게 감소할 수 있습니다.

사용자를 보호하기 위해 음파 그리고/또는 진동이 작용하기 전에 다음과 같은 추가적인 안전 조치를 취하십시오. 전동 공구와 공구 비트의 유지보수, 손을 따뜻하게 유지, 작업순서 정하기 등.

소음값

소음 수준 (L_{WA})	80dB(A)
소음 수준 허용공차 (K_{WA})	2.5dB(A)
음압 수준 (L_{pA})	70dB(A)
음압 수준 허용공차 (K_{pA})	2.5dB(A)



진동값

진동총값(작동 도중) (a)	2.5m/s ²
허용공차 (K)	1.5m/s ²

4.2 배터리

배터리 모드 전압	21.6V
주변 온도	-17 °C ... 60 °C
보관 온도	-20 °C ... 40 °C

5 작업 준비

경고

부상 위험 돌발적인 작동!

- ▶ 배터리를 끼우기 전에 해당 제품의 전원이 꺼져 있는지 확인하십시오.
- ▶ 기기 설정 또는 액세서리를 교체하기 전에 배터리를 제거하십시오.

본 문서 및 제품에 나와 있는 안전 지침 및 경고 지침에 유의하십시오.

5.1 배터리 충전

1. 충전하기 전에 충전기의 사용 설명서를 읽으십시오.
2. 배터리 및 충전기의 접점이 청결하고 건조한 상태인지 확인하십시오.
3. 허용되는 충전기에서 배터리를 충전하십시오. 44

5.2 배터리 삽입

경고

부상 위험 부상 위험!

- ▶ 배터리를 끼우기 전에 배터리의 접점 및 제품의 접점에 이물질이 남아 있지 않은지 확인하십시오.
- ▶ 배터리가 제대로 고정되었는지 확인하십시오.

1. 처음으로 사용하기 전, 배터리를 완전히 충전하십시오.
2. 배터리가 제품에 고정되는 소리가 들릴 때까지 미십시오.
3. 배터리가 정확하게 설치되어 있는지 점검하십시오.

5.3 배터리 제거

1. 배터리의 잠금 해제 버튼을 누르십시오.
2. 배터리를 기기에서 빼내십시오.

5.4 추락 방지장치

경고

부상 위험 떨어지는 공구 및/또는 액세서리에 의한 유발!

- ▶ 해당 제품에 권장하는 Hilti 공구 고정끈만 사용하십시오.
- ▶ 사용하기 전에 항상 공구 고정끈의 고정점에 손상된 곳이 없는지 확인하십시오.



공중 작업에 대한 국가별 규정에 유의하십시오.

해당 제품의 추락 방지장치로는 Hilti 낙하 방지 장치 #2293133 및 Hilti 공구 고정끈 #2261970을 결합한 것만 사용하십시오.

- ▶ 낙하 방지 벨트를 액세서리의 조립 구멍에 고정시키십시오. 확실하게 고정되었는지 점검하십시오.



- ▶ 공구 고정핀의 카라비너 후크 한쪽을 낙하 방지 벨트에 고정하고, 지지하는 구조물에 다른 카라비너 후크를 고정시키십시오. 두 카라비너 후크가 확실하게 고정되었는지 점검하십시오.



Hilti 낙하 방지 벨트 및 Hilti 공구 고정핀의 사용 설명서 내용에 유의하십시오.

5.5 압착 조 삽입 2

⚠ 주의

부상 위험! 공구 비트가 뜨겁거나 그리고/또는 모서리가 날카로울 수 있습니다.

- ▶ 공구 비트 교체 시 보호장갑을 착용하십시오.
- ▶ 절대 뜨거운 공구 비트를 인화성 플레이트에 놓지 마십시오.

⚠ 경고

부상 위험! 제품의 돌발적인 시동.

- ▶ 압착 조를 삽입/교체/분리하기 전에 배터리를 제거하십시오.



압착 조 없이는 절대로 제품을 작동하지 마십시오.

올바른 압착 작업을 보장하고, 제대로 된 작업 및 작동을 보장할 수 있도록 시스템 제공업체 및 장비 제조업체에서 해당 제품에 승인한 압착 조만 사용하십시오.

1. 배터리를 제거하고, 적합한 압착 조를 선택하십시오.
2. 스톱핀을 누르십시오.
3. 스톱핀을 시계 반대 방향으로 스톱 위치까지 돌리십시오.
4. 스톱핀을 당겨 빼내십시오.
5. 압착 조를 끼우십시오.
6. 맞물려 고정될 때까지 스톱핀을 밀어 끼우십시오.
7. 원하는 작업 위치로 압착 헤드를 돌리십시오.



무압력 상태에서는 압착 헤드를 훨씬 쉽게 돌릴 수 있습니다.

5.6 압착 조 제거 3

⚠ 경고

부상 위험! 제품의 돌발적인 시동.

- ▶ 압착 조를 삽입/교체/분리하기 전에 배터리를 제거하십시오.

1. 배터리를 제거하고, 압착 헤드를 초기 위치로 돌리십시오.
2. 스톱핀을 누르십시오.
3. 스톱핀을 시계 반대 방향으로 스톱 위치까지 돌리십시오.
4. 스톱핀을 당겨 빼내십시오.
5. 압착 조를 제품 앞쪽으로 빼내십시오.

6 조작

본 문서 및 제품에 나와 있는 안전 지침 및 경고 지침에 유의하십시오.

6.1 압착 작업 진행 4

⚠ 위험

감전 사고 위험! 불리한 외부 조건에서 작업할 경우 감전 및/또는 단락이 발생할 수 있습니다.

- ▶ 약전후에서는 절대로 전류가 흐르는 배선에서 작업하지 마십시오.
- ▶ 기후 조건이 절연성을 방해하거나 작업자의 시야 또는 동작을 방해하는 경우 즉시 작업을 중단하십시오.



⚠ 경고

고압에 의해 흘러나온 오일로 인한 부상 위험! 오일이 고압에 의해 흘러나와 피부 및 눈에 부상을 입을 수 있습니다.

- ▶ 손상이 보일 경우 압착기를 사용하지 마십시오.
- ▶ 오일이 흘러나온 경우 압착기를 사용하지 마십시오.
- ▶ 각 압착 절차 후에는 반드시 피스톤이 되돌아가는지 확인하십시오.
- ▶ 압착 절차 후에 피스톤이 되돌아가지 않을 경우 수동으로 되돌아갈 수 있도록 리셋 스위치를 작동하십시오.

⚠ 경고

위험! 가스 서비스관 내 압착 작업으로 인한 가스 방출 위험!

- ▶ 시스템 제공업체가 본 공구 및 특수 인증된 피팅과 함께 사용하는 것을 명문상으로 승인한 경우가 아니라면 가스 서비스관 내에서는 절대 압착 작업을 진행하지 마십시오.

⚠ 경고

이리저리 날아가는 파편으로 인한 부상 위험! 자재의 파편으로 인해 눈 등 신체에 부상을 입을 수 있습니다.

- ▶ 보안경 및 보호장갑을 착용하십시오.
- ▶ 올바른 압착 링 및 압착 조 또는 어댑터 조와 적합한 연결 자재를 사용하십시오.
- ▶ 압착 절차 전과 진행 중에 압착 링 및 압착 조 또는 어댑터 조가 올바르게 정렬되어 있는지 확인하십시오.

⚠ 주의

잘못된 취급 방식에 의한 물품 손상! 압착기 및/또는 압착 링은 잘못된 취급 방식으로 인해 손상될 수 있습니다.

- ▶ 작업을 시작하기 전에 압착 링에 먼지가 없는지 확인하십시오.
- ▶ 작업을 시작하기 전에 압착 링 및 롤 작동기(있을 경우)를 윤활제 및 부식방지 분사기(№308976)로 윤활하십시오.
- ▶ 생산업체의 오리지널 사용 설명서에 유의하십시오.



지속적으로 조밀하게 압착 작업을 진행하려면 압착 조가 완전하게 닫히고 연관된 압착 작업을 잘 마무리해야 합니다.

조기에 압착 작업이 중단된 피팅의 경우 분리해내거나, 가능하다면 재작업 해야 합니다.



추운 날씨 조건에서는 유압 오일이 경화되어 크림핑 절차가 느려질 수 있습니다. 크림핑 기기 예열을 위해 크림핑 절차를 5회부터 10회까지 무부하로 진행하십시오.

1. 압착 조를 끼우십시오. 46
2. 압착 조의 다리 부분을 함께 누르십시오.
 - ▶ 압착 조가 열립니다.
3. 압착 조를 압착할 피팅 둘레에 놓으십시오.
4. 피스톤이 다시 되돌아갈 때까지 컨트롤 스위치를 누른 상태로 유지하십시오.
 - ▶ 압착 절차가 성공적으로 완료되었습니다.

7 유지 관리

⚠ 경고

유지보수 미실행으로 인한 부상 위험!

- ▶ 15000 사이클 또는 1년 이상 사용한 후에는 공인된 Hilti Service Center에서 유지보수를 진행해야 합니다. 주기적인 유지보수를 소홀히 하면 조작자에게 심각한 안전 위험이 발생할 수 있으며 및/또는 압착 작업 시 오류가 발생할 수 있습니다.

⚠ 경고

배터리가 끼워진 상태에서 부상 위험!

- ▶ 관리 및 수리 작업을 진행하기 전에 항상 배터리를 제거하십시오!



제품 관리

- 공구에 부착되어 있는 오염물질을 조심스럽게 제거하십시오.
- 오염물질이 있는 경우, 부드러운 마른 솔로 환기 슬롯을 조심스럽게 청소하십시오.
- 약간 물기가 있는 수건으로만 하우징을 청소해 주십시오. 플라스틱 부품을 손상시킬 수 있으므로 절대로 실리콘이 함유된 보호제를 사용하지 마십시오.
- 제품의 접점을 청소하려면 깨끗하고 마른 천을 사용하십시오.

리튬 이온 배터리 관리

- 환기 슬롯이 막힌 상태에서는 절대 배터리를 사용하지 마십시오. 부드러운 마른 솔로 환기 슬롯을 조심스럽게 청소하십시오.
- 배터리가 불필요하게 먼지 또는 오염물에 노출되지 않도록 하십시오. 배터리를 절대 습도가 높은 곳에 두지 마십시오.(예: 물 속에 담그거나 비내리는 곳에 두는 행위).
배터리에 물이 들어가면, 손상된 배터리처럼 취급하십시오. 물이 들어간 배터리는 비가연성 용기에서 절연시킨 후, Hilti 서비스 센터에 문의해 주십시오.
- 배터리를 외부 오일 및 그리스가 묻지 않도록 깨끗하게 유지하십시오. 배터리에 불필요하게 먼지 또는 오염물이 쌓이지 않도록 하십시오. 배터리를 부드러운 마른 솔 또는 깨끗하고 마른 걸레로 닦아내십시오. 플라스틱 부품을 손상시킬 수 있으므로 절대로 실리콘이 함유된 보호제를 사용하지 마십시오.
배터리의 접점에 접촉하지 말고, 접점에서 공구축에 부착된 그리스를 제거하지 마십시오.
- 약간 물기가 있는 수건으로만 하우징을 청소해 주십시오. 플라스틱 부품을 손상시킬 수 있으므로 절대로 실리콘이 함유된 보호제를 사용하지 마십시오.

유지보수

경고

감전으로 인한 위험! 전기 구성부품에서 부적절하게 수리하면 중상을 입거나 화재를 야기할 수 있습니다.

- ▶ 전기 부품은 반드시 전기 기술자가 수리하도록 해야 합니다.
-
- 눈에 보이는 모든 부품은 정기적으로 손상 여부를 점검하고 조작요소가 아무 문제 없이 작동하는지 점검하십시오.
 - 손상되었거나 기능 장애가 있는 경우에는 제품을 작동하지 마십시오. 즉시 Hilti 서비스 센터에 제품 수리를 의뢰하십시오.
 - 관리 및 수리 작업 후 모든 보호장치를 가져와 기능에 이상이 없는지 점검하십시오.



안전하게 작동할 수 있도록 순정 예비 부품, 소모품 및 액세서리만 사용하십시오. Hilti에서 승인한 예비 부품, 소모품 및 액세서리는 Hilti Store 또는 www.hilti.group에서 확인할 수 있습니다.

8 충전식 공구 및 배터리 운반 및 보관

운반

주의

운반 시 돌발적으로 작동됨!

- ▶ 제품은 항상 배터리를 장착하지 않은 상태로 운반하십시오!
-
- ▶ 배터리를 분리하십시오.
 - ▶ 배터리를 고정하지 않은 채로 운반해서는 절대 안 됩니다. 운반하는 도중 배터리에 과도한 충격을 받거나 진동이 발생하지 않게 하고 모든 전도성 소재 또는 다른 배터리로부터 분리시켜 다른 배터리 전극에 닿지 않고 단락이 발생하지 않게 하십시오. 배터리와 관련된 현지 운반 규정에 유의하십시오.
 - ▶ 배터리는 우편을 통해 전달할 수 없습니다. 손상이 없는 배터리를 전송하고자 하는 경우 배송업체에 문의하십시오.
 - ▶ 제품 및 배터리를 사용하기 전에 그리고 장시간 운반한 후에는 항상 손상 여부를 점검하십시오.

보관

경고

배터리 결함 또는 방전으로 인한 돌발적인 손상!

- ▶ 제품은 항상 배터리를 장착하지 않은 상태로 보관하십시오!
-
- ▶ 제품 및 배터리를 냉각 및 건조시켜 보관하십시오. 기술자료에 제시된 허용 온도 한계값에 유의하십시오.
 - ▶ 배터리를 충전기에 보관하지 마십시오. 충전 후에는 항상 배터리를 충전기에서 분리하십시오.
 - ▶ 배터리는 절대 직사광선이 들어오는 곳, 열원 위 또는 유리 뒤쪽에 보관하지 마십시오.
 - ▶ 제품 및 배터리는 건조한 상태로 어린이나 외부인의 손이 닿지 않는 곳에 보관하십시오.
 - ▶ 제품 및 배터리를 사용하기 전에 그리고 장시간 보관한 후에는 항상 손상 여부를 점검하십시오.



9 문제 발생 시 도움말

본 도표에 제시되어 있지 않거나 스스로 해결할 수 없는 문제가 발생한 경우 Hilti 서비스 센터에 문의하십시오.

9.1 압착기가 작동할 준비가 되지 않음

장애	예상되는 원인	해결책
배터리에서 LED 표시되지 않음.	배터리가 완전하게 삽입되지 않았음.	▶ 이중으로 찰칵하는 소리가 들릴 때까지 배터리를 맞물려 고정시키십시오.
	배터리가 방전되었음.	▶ 배터리를 교체하고 방전된 배터리를 충전하십시오.
	배터리 과열 또는 과냉 상태.	▶ 배터리를 냉각시키거나 배터리를 실온으로 유지하십시오.
배터리에서 1개 LED가 깜박임.	배터리가 방전되었음.	▶ 배터리를 교체하고 방전된 배터리를 충전하십시오.
	배터리 과열 또는 과냉 상태.	▶ 배터리를 냉각시키거나 배터리를 실온으로 유지하십시오.
배터리에서 4개의 LED가 깜박임.	제품이 잠깐 동안 과부하됨.	▶ 제품을 냉각시키십시오.
적색 LED => 경고음과 함께 지속 점등	기술적인 문제 발생.	▶ 잘못된 용도로 사용했을 수 있습니다! Hilti 서비스센터에 문의하십시오.
적색 LED => 경고음과 함께 짧게 점멸	안전한 작업을 진행하기에 배터리 충전 상태가 너무 낮음.	▶ 배터리를 교체하고 방전된 배터리를 충전하십시오.
적색 LED => 경고음 없이 짧게 점등	제품이 과열됨.	▶ 제품을 냉각시키십시오.

9.2 압착기가 작동할 준비가 되었음

장애	예상되는 원인	해결책
배터리가 평소보다 빨리 방전됨.	주변 온도가 너무 낮음.	▶ 배터리를 서서히 실내 온도로 가열하십시오.
배터리를 밀어 넣을 때 "이중으로 찰칵하는 소리"가 들리지 않음.	배터리 래치 오염됨.	▶ 배터리 래치를 청소하고 배터리를 다시 끼우십시오.
적색 LED => 경고음과 함께 길게 점멸	압착 압력에 도달되지 않음(작업 오류).	▶ 제대로 작업했는지 확인하고 필요 시 압착 상태를 점검하십시오.
적색 LED => 경고음과 함께 지속 점등	기술적인 문제 발생.	▶ 잘못된 용도로 사용했을 수 있습니다! Hilti 서비스센터에 문의하십시오.
적색 LED => 경고음 없이 지속 점등	제품 유지보수가 필요함.	▶ Hilti 서비스센터에 문의하십시오.

10 폐기

경고

부적절한 폐기로 인한 부상 위험! 새어나오는 가스 또는 용액으로 인한 건강상의 위험.

- ▶ 손상된 배터리는 전달하지 마십시오!
- ▶ 비전도성 소재로 연결 단자를 막아 두어 단락이 발생하지 않게 하십시오.
- ▶ 배터리가 어린이의 손에 닿지 않도록 폐기하십시오.
- ▶ Hilti Store에서 배터리를 폐기하거나 또는 담당 폐기물 처리 업체에 문의하십시오.

Hilti 제품은 대부분 재사용이 가능한 소재로 제작되었습니다. 재활용을 위해 개별 부품을 분리하여 주십시오. Hilti는 대부분의 국가에서 재활용을 위해 노후기기를 수거해 갑니다. Hilti 고객 서비스 센터 또는 판매 상담자에게 문의하십시오.





▶ 전동 공구, 전자식 기기 및 배터리를 일반 가정 쓰레기로 폐기하지 마십시오!

11 RoHS (유해물질 사용 제한 지침)

아래 링크에서 유해물질에 관한 도표를 확인할 수 있습니다. qr.hilti.com/r7794691.
RoHS 도표로 이어지는 링크는 본 문서 끝에 QR 코드 형식으로 제시되어 있습니다.


12 제조회사 보증

▶ 보증 조건에 관한 질문사항은 현지 Hilti 파트너사에 문의하십시오.

原始操作說明

1 關於操作說明的資訊

1.1 關於本操作說明

- 注意！在使用本產品之前，請確保您已閱讀並瞭解產品隨附的操作說明書，包括說明、安全性和警示注意事項、圖解和規格。尤其是熟悉所有說明、安全性和警示注意事項、圖解、規格、組件和功能。若未遵守，可能會導致觸電、火災和/或嚴重傷害的風險。妥善保存操作說明書，包括所有說明、安全性和警示注意事項，以備日後使用。
- **HILTI** 產品是針對專業使用者設計，故僅經訓練、認可的人員可操作、維修與維護本產品。必須告知上述人員關於可能遭遇的特殊危險。若因未經訓練人員操作錯誤或未依照其原本的用途操作，則本產品和它的輔助工具設備有可能會發生危險。
- 隨附的操作說明書符合印刷時的最新技術水準。您隨時可在Hilti產品頁面上尋找最新版本。為此，請點選操作說明書中標示  符號的連結或QR碼。
- 將產品交予他人時，必須連同本操作說明書一併轉交。

僅適用於台灣

進口商：喜利得股份有限公司

地址：新北市板橋區

新站路16號24樓22041

電話：0800-221-036

1.2 已使用的符號解釋

1.2.1 警告

警告您在操作或使用本產品時可能發生之危險。採用了以下標示文字：



危險

危險！

▶ 此標語警示會發生對人造成嚴重傷害甚至致死的危險情形。



警告

警告！

▶ 此標語警示會造成嚴重傷害甚至致死危險的潛在威脅。



注意

注意！

▶ 請小心會造成人員受傷或對設備及其他財產造成損害的潛在危險情況。

1.2.2 操作說明中的符號

本操作說明中採用以下符號：



請遵照操作說明



	使用操作說明與其他資訊
	處理可回收的材料
	不可將電子設備與電池當作家庭廢棄物處置
	Hilti 鋰電池
	Hilti 充電器

1.2.3 圖解中的符號

圖解中採用了以下符號：

	號碼對應操作說明的開始處的圖解。
3	編號代表圖解中的操作步驟順序，可能與內文中的步驟有所不同。
	概覽圖解中使用位置編號，方便您對應到產品概覽段落中的圖例編號。
	這些特色是為了讓您在操作本產品時可以注意某些重點。

1.3 產品上的符號

1.3.1 產品專屬符號

產品上會採用下列符號：

	夾傷風險！
	直流電 (DC)
	機具支援近距離無線通訊 (NFC) 技術，其相容於iOS及Android平台。
Li-Ion	鋰電池
	使用Hilti鋰電池類型系列。請遵守用途一節所提供之資訊。
	請勿將電池使用作為敲擊工具。
	避免電池掉落。不得使用遭受衝擊或其他原因遭成損壞的電池。
	若產品上有此符號，代表產品已通過該認證機構的認證，適用於美國和加拿大市場。

1.4 產品資訊

HILTI 產品是針對專業使用者設計，故僅經訓練、認可的人員可操作、維修與維護本產品。必須告知上述人員關於可能遭遇到的特殊危險。若因未經訓練人員操作錯誤或未依照其原本的用途操作，則本產品和它的輔助工具設備有可能會發生危險。

類型名稱和序號都標示於額定銘牌上。

- ▶ 在下方表格中填入序號。與Hilti維修中心或當地Hilti機關聯絡查詢產品相關事宜時，我們需要您提供產品詳細資訊。

產品資訊

壓接 / 加壓機具	NPR 019 IE-A22
產品代別	01
序號	



1.5 符合聲明

基於製造商唯一的責任，本公司在此聲明本產品符合適用法規及標準。本文件結尾處有符合聲明之副本。技術文件已歸檔：

Hilti Entwicklungsgesellschaft mbH | Tool Certification | Hiltistrasse 6 | D-86916 Kaufering, Germany

2 安全性

2.1 一般電動機具安全警告

⚠ 警告 請詳閱本電動機具提供的所有安全警告、指示、圖解和說明。未能遵守以下所有指示可能會造成電擊事故、火災和 / 或嚴重的傷害。

妥善保存所有警告及說明，以供將來參考。

注意事項中的「機具」係指使用電源（有線）或電池（無線）的電動機具。

工作區域安全

- ▶ 請保持工作區的清潔與採光充足。雜亂而昏暗的工作區會導致意外發生。
- ▶ 勿在容易發生爆炸的環境中使用機具，例如有可燃性液體、瓦斯或粉塵存在的環境。機具產生的火花可能會引燃塵埃或煙霧。
- ▶ 操作機具時，請與兒童及旁人保持距離。注意力不集中時容易發生失控的情形。

電力安全

- ▶ 機具插頭與插座須能互相搭配。勿以任何方式改裝插頭。勿將任何變壓器插頭與與地面接觸（接地）的電動機具搭配使用。未經改裝的插頭以及能互相搭配的插座可減少發生電擊的危險。
- ▶ 避免讓身體接觸到如管線、散熱器、爐灶與冰箱等與土地或地表接觸之物品。如果您的身體接觸到地表或地面，將增加電擊的危險。
- ▶ 請勿將機具暴露在下雨或潮濕的環境中。若水氣進入機具中將增加觸電的危險。
- ▶ 勿濫用電纜線。勿以電纜線吊掛、拖拉機具或拔下機具插頭。電纜線應避開熱氣、油、銳利的邊緣或移動性零件。電纜線損壞或纏繞會增加發生電擊事故的危險。
- ▶ 於室外操作機具時，須使用適用於戶外的延長線。使用適合戶外使用的延長線可降低觸電的風險。
- ▶ 如果無法避免在潮濕的地點操作機具，請使用漏電斷路器（RCD）保護電源供應器。使用漏電斷路器（RCD）可降低電擊的風險。

人員安全

- ▶ 操作機具時，請提高警覺，注意進行中的工作並善用常識。感到疲勞或受到藥物、酒精或治療的影響時勿使用機具。操作機具時稍不留神就可能造成嚴重的人員傷亡。
- ▶ 穿戴個人防護裝備。請隨時穿戴眼罩。適當使用防塵面罩、防滑鞋、安全帽及耳罩等安全防護配備可減少人員的傷害。
- ▶ 避免不經意的啟動。在接上電源或電池組、抬起或攜帶機具之前，務必確認開關處於關閉的位置。攜帶機具時，如果把手指放在開關上，或在開關開啟時，將機具插上插頭容易發生意外。
- ▶ 啟動機具前，應將所有調整鑰匙或扳手移開。將扳手或鑰匙留在機具的旋轉零件中可能會造成人員傷害。
- ▶ 勿將手伸出過遠。隨時站穩並維持平衡。這可讓您在意外情況發生時，對機具有較好的控制。
- ▶ 穿著適當服裝。請勿穿著寬鬆的衣服或佩戴珠寶。頭髮、衣服與手套應遠離移動性零件。移動性零件可能會夾到寬鬆的衣服、珠寶或長髮。
- ▶ 如果機具可連接吸塵裝置與集塵設備，請連接並適當使用這些設備。使用集塵裝置可降低與粉塵有關的危險。
- ▶ 請勿因頻繁而習慣使用機具便疏於遵守或忽略機具的安全規範。草率使用可能在轉眼間便造成嚴重的傷害。

機具使用與保養

- ▶ 不可強制使用機具。依據用途使用正確的機具。根據設計的速率使用機具可更快速安全地完成工作。
- ▶ 若開關無法啟動或關閉電動工具時，請勿使用電動工具。任何無法以開關控制的機具都很危險且需要維修。
- ▶ 在進行任何調整、更換配件、或貯放電動機具前，請先將插頭拔離插座和 / 或將電池組自電動機具卸下（如可拆卸）。此預防安全措施可降低機具意外啟動的風險。
- ▶ 將閒置的機具貯放在兒童拿不到的地方，勿讓不熟悉或未詳閱本說明的人員操作本機具。機具在未經訓練的使用者手中是很危險的。
- ▶ 維護機具與配件。請檢查移動性零件有無偏移或黏合的情形、零件有無破損，以及任何會影響機具運轉的狀況。如果機具受損，請先維修後再使用。很多意外便是由維護不當的機具造成的。
- ▶ 保持切割機具的銳利與清潔。具銳利切割邊緣的切割機具如果得到適當的維護，便較不會發生黏合的現象，且較容易控制。



- ▶ 遵守本指示說明使用機具、配件和工具組等，並考量工作條件與待進行的工作。將機具用在原目的之外之用途可能會造成危險。
- ▶ 保持握把與其表面的乾燥、清潔且不要讓上面出現油漬。握把及其表面濕滑會在意外情況中造成機具無法安全掌控。

電池機具的使用與保養

- ▶ 務必使用原廠指定的充電器進行充電。將適合特定類型電池的充電器使用在其他電池時，會有造成火災的危險。
- ▶ 務必使用機具特別指定的電池匣。使用其他的電池匣可能會造成受傷或火災。
- ▶ 電池匣未使用時，請將其遠離如迴紋針、錢幣、鑰匙、針、固定釘或其他會在電池兩極間形成連結的小型金屬物件。在電池兩極間建立短路可能會造成灼傷或火災。
- ▶ 若使用不當，可能會有液體由電池流出；請避免接觸該液體。若不慎接觸，請以清水沖洗。如果不小心讓液體接觸到眼睛，請立即尋求醫療援助。從電池中滲出的液體，可能會導致過敏或灼傷。
- ▶ 請勿使用損壞或改裝過的電池組或機具。受損或改裝過的電池可能會無法正常運作而造成起火、爆炸或受傷的風險。
- ▶ 請勿將電池組或機具曝露在火源或極端的溫度環境中。曝露在火源或溫度超過130°C (265°F) 的環境下可能會造成爆炸。
- ▶ 請遵守充電操作說明且不要在說明所載的溫度範圍之外為電池組或機具充電。不當充電或在指定溫度範圍外充電均可能造成電池損壞並提高起火的風險。

維修服務

- ▶ 請將機具交給合格的維修人員進行維修，並使用相同的替代零件。這可確保維護機具安全。
- ▶ 請勿自行維修損壞的電池。損壞的電池僅可由製造商或授權的維修商進行維修。

2.2 壓接工具的其他安全說明

人員安全

- ▶ 僅在本產品能正常運轉時使用。
- ▶ 勿嘗試以任何方式改裝機具。
- ▶ 除非系統供應商有提供使用本機具搭配經特殊測試與認可之裝置進行作業之明確認可，否則請勿對瓦斯供應網路的零件進行壓接作業。
- ▶ 若發現有機油流出，則請勿繼續使用本工具，並請洽詢Hilti維修中心。請立即清除流出的機油。
- ▶ 確認鎖定銷已推到底並確實固定。
- ▶ 確認壓接鉗中沒有異物（如灰泥、砂礫顆粒、金屬切片等）且沒有零件受損。請勿繼續使用受損或扭曲的壓接鉗！
- ▶ 進行壓接作業時務必注意壓接頭和手部及手指之間的距離。
- ▶ 壓接工具位於作業位置後，才能啟動本工具。
- ▶ 手持壓接工具時，雙手請務必握住其規定的握把上。
- ▶ 防墜扣帶和工具繫繩務必保持乾淨和乾燥。
- ▶ 開始作業前，請依操作說明檢查壓接機具與NPR PM壓接鉗。未經充份測試的機具與鉗具會造成壓接不符標準而有讓操作員受傷的潛在風險。壓接機具至少每15,000次壓接作業及至少每年送Hilti維修中心檢查一次。壓接鉗必須至少每年送Hilti維修中心維修一次。
- ▶ 經過壓接後，請對管線系統作壓力測試以確保無洩漏（如不當使用機具造成等）。

電力安全

- ▶ 使用本機具前，必須將使用者施工區域內的所有帶電纜線與帶電壓之設備均關閉。若無法這麼做，則必須為在帶電零組件附近進行的作業採取對應的安全預防措施。
- ▶ 在使用本壓接工具前請確認，工作區域無隱藏的電線以及天然氣管線或水管線。工作時若不慎損壞電線、天然氣管線或水管線，裸露在外的金屬或帶電零組件可能導致人員觸電。
- ▶ 請勿對帶電零件進行壓接。本機具必須視為無絕緣設備，故必須搭配合適類型的個人防護配備（防護手套、防護鞋、防護衣等）以保護您自身與鄰近人員的安全。

機具使用與保養

- ▶ 經過約50次連續壓接作業後，請關閉機具讓其冷卻約15分鐘。過熱會造成機器受損。

2.3 小心處理和使用電池

- ▶ 請遵守下列安全操作和使用鋰電池的安全注意事項。若未遵守，可能造成皮膚不適、嚴重腐蝕、化學燙傷、起火和/或爆炸。
- ▶ 請使用狀態完好無損的電池。
- ▶ 請小心處理電池，以避免其受損以及防止會嚴重危及健康的液體流出！
- ▶ 電池嚴禁修改或改裝！



- ▶ 請勿拆解、擠壓或焚燒電池，且不可將電池置放在溫度超過80°C (176°F) 的環境中。
- ▶ 電池受過衝擊或其他損壞後，請勿使用或充電。請定期檢查電池是否有損壞的跡象。
- ▶ 請勿使用回收或維修過的電池。
- ▶ 請勿將電池或電池供電之機具作為鎚子使用。
- ▶ 請勿讓電池暴露在直接日曬、溫度過高、有火花或明火的環境中，否則可能導致爆炸。
- ▶ 請勿用手指、工具、珠寶或其他會導電的物品觸摸電池極柱，否則可能導致電池損壞、財物損失和人員受傷。
- ▶ 電池應避免淋雨、潮濕和水氣。水氣滲入會造成短路、觸電、燙傷、起火和爆炸。
- ▶ 請使用適用於該電池型號的充電器與電動工具。請詳閱並遵守相關操作說明書中的說明。
- ▶ 請勿在易爆炸環境中使用或存放電池。
- ▶ 若電池溫度過高無法觸摸，表示電池可能已經毀損。將電池放在清楚可見且沒有火災危險、遠離易燃材料的位置。讓電池冷卻。若一小時後電池溫度仍然過高無法觸摸，表示電池可能已經毀損。請洽詢Hilti維修中心或詳讀「Hilti鋰電池安全注意事項和使用」文件。

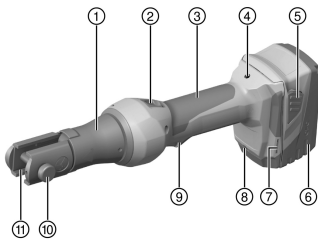


請遵守適用於運輸、存放和使用鋰離子電池的專用指令。 58

請透過本操作說明書末尾的條碼取得並詳讀Hilti鋰電池安全注意事項和使用。

3 說明

3.1 產品總覽



- ① 壓接 / 加壓頭
- ② 在發生故障或緊急狀況中用於開啟壓接 / 加壓鉗的活塞拉回開關
- ③ 機殼
- ④ 維修與故障指示燈 (紅色LED)
- ⑤ 電池拆卸鈕
- ⑥ 電池
- ⑦ 兩側用於固定Hilti固定繩的槽縫
- ⑧ 用於照亮工作區的白色LED
- ⑨ 控制開關
- ⑩ 用於開啟 / 關閉機具頭的鎖定銷
- ⑪ 壓接 / 加壓鉗

3.2 用途

此處所述產品為充電式電動液壓的壓接機具。

其設計用於對連接複合、銅質 (Cu) 與鋼質管線之安裝裝置進行壓接。

- 本產品限使用B 22系列Hilti鋰電池。
- 僅可使用經Hilti認可的電池充電器為電池充電。可從Hilti Store或www.hilti.group取得更多資訊。

3.3 鋰電池電量顯示

鋰電池的充電狀態與產品故障會由鋰電池的指示燈顯示。按下兩個電池拆卸鈕的其中一個後，將會顯示鋰電池的充電狀態。

狀態	意義
4個LED亮起。	充電狀態：75 %至100 %
3個LED亮起。	充電狀態：50 %至75 %
2個LED亮起。	充電狀態：25 %至50 %
1個LED亮起。	充電狀態：10 %至25 %
1個LED閃爍。	充電狀態：< 10 %



按下控制開關然後放開控制開關超過5秒後，將無法顯示電池充電狀態。若充電狀態指示燈的LED閃爍，請遵循「故障排除」章節所提供的指示。



3.4 配備及數量

壓接 / 加壓機具、操作說明。

關於本產品，您可於當地 HILTI STORE 或網站查詢其他經過認證可搭配使用的系統產品：www.hilti.group

4 技術資料

	NPR 019 IE-A22
額定電壓	21.6 V
重量 (依據 EPTA Procedure 01) , 含電池 B228.0	2.7 kg
壓接時間	≈ 4 s
最大壓力	19 kN
貯放溫度	-20 °C ... 70 °C
操作時的環境溫度	-17 °C ... 60 °C

4.1 噪音資訊和震動值 (依據 EN 62841)

操作說明中所提供之音壓和震動值已參照標準測量，並可用來比較不同機具之噪音。它們也可作為噪音量的初步評估。

提供之資料表示機具主要應用時之數值。若機具應用於不同之用途，搭配不同的配件工具或在保養不良的情況下，其數據會有所不同。在作業過程中，這會大幅提高其噪音量。

當機具關閉，或開啟但未進行任何作業時也應列入考量，才能準確評估噪音量。在作業過程中，這會大幅降低其噪音量。

確認其他安全措施，以保護操作員不受噪音和 / 或震動影響，例如：保養機具與其配件、操作前保持雙手溫暖、作業型式之安排等。

噪音值

聲功率級數 (L _{WA})	80 dB(A)
無法判定的聲功率級數 (K _{WA})	2.5 dB(A)
釋放的音壓級數 (L _{pA})	70 dB(A)
無法判定的音壓級數 (K _{pA})	2.5 dB(A)

震動值

總震動 (操作時) (a)	2.5 m/s ²
無法判定 (K)	1.5 m/s ²

4.2 電池

電池操作電壓	21.6 V
環境溫度	-17 °C ... 60 °C
貯放溫度	-20 °C ... 40 °C

5 工作場所的準備工作

警告

有受傷的風險！因意外啟動

- ▶ 置入電池前，請確認產品已關閉。
- ▶ 在調整機具或變更配件前請先將電池拆下。

請遵守本文件中與產品上的安全說明和警告。

5.1 為電池充電

1. 電池充電前，請閱讀充電器的操作手冊。
2. 確認電池的接點和充電器的接點清潔且乾燥。
3. 請使用經認可的充電器對電池充電。 54



5.2 置入電池

警告

有受傷的危險 因短路或電池掉落！

- ▶ 置入電池前，請確認電池的接點及產品的接點上無任何異物。
 - ▶ 確認電池已確實咬合。
1. 初次使用前，請將電池完全充電。
 2. 將電池推入產品中，直到聽到卡入聲。
 3. 請檢查電池是否安裝牢固。

5.3 卸下電池

1. 按下電池拆卸鈕。
2. 請將電池自充電器卸下。

5.4 防墜安全裝置

警告

受傷危險 因工具和/或配件掉落所致！

- ▶ 請您務必使用本公司建議與本產品搭配使用的Hilti工具繫繩吊環。
- ▶ 每次使用前，應要檢查工具繫繩吊環的固定點有無損壞跡象。



請您遵守各國的高處作業規範。

請僅使用Hilti防掉落擊發裝置#2293133和Hilti工具繫繩吊環#2261970的組合，作為本產品的防墜保護。

- ▶ 將防掉落擊發裝置固定在配件的安裝開口內。檢查其是否確實牢固。
- ▶ 將工具繫繩吊環的一個彈簧鈎扣固定在防掉落擊發裝置上，再將另一個彈簧鈎扣固定在具支承功能的結構上。檢查兩個彈簧鈎扣是否確實牢固。



請遵守Hilti防掉落擊發裝置和Hilti工具繫繩吊環的操作說明書。

5.5 安裝壓接鉗

注意

有受傷的危險！ 配件工具可能會非常燙和 / 或有尖銳的邊緣。

- ▶ 請在更換配件時戴上防護手套。
- ▶ 請勿將高溫的配件工具放置於易燃表面上。

警告

有受傷的危險！ 避免不經意的啟動。

- ▶ 安裝、更換或拆卸壓接 / 加壓鉗之前請先拆卸電池。



請勿在未安裝壓接鉗的情況下操作本產品！

為確保正確壓接且操作安全可靠，限使用系統供應商及 / 或機具製造商認可的壓接鉗。

1. 請拆下電池並選擇最適合的壓接鉗。
2. 按下鎖定銷。
3. 將鎖定銷逆時針方向轉到底。
4. 將鎖定銷拉出。
5. 請安裝壓接鉗。
6. 將鎖定銷推入直到卡住為止。



7. 將壓接頭轉至所需的作業位置。

在未施加壓力的情況下可更輕鬆轉動壓接頭。

5.6 拆卸壓接 / 加壓鉗

警告

有受傷的危險！避免不經意的啟動。

▶ 安裝、更換或拆卸壓接 / 加壓鉗之前請先拆卸電池。

1. 拆下電池並將壓接 / 加壓頭轉至原始位置。
2. 按下鎖定銷。
3. 將鎖定銷逆時針方向轉到底。
4. 將鎖定銷拉出。
5. 將壓接鉗向前移從產品中取出。

6 操作

請遵守本文中與產品上的安全說明和警告。

6.1 執行壓接作業

危險

觸電危險！在不利的戶外條件下作業可能導致觸電和/或短路。

- ▶ 天候條件不佳時，請勿在帶電電線上作業。
- ▶ 當天候條件影響到絕緣特性、能見度或工作人員的活動時，請立即停止作業。

警告

高壓流出的機油恐致人員受傷！高壓流出的機油可能傷及人員的皮膚和眼睛。

- ▶ 發現有明顯損壞時，請勿使用本壓接機具。
- ▶ 機油流出時，請勿使用本壓接機具。
- ▶ 請確認，每次壓接作業後，活塞都會返回。
- ▶ 活塞若未於壓接作業後返回，請操作重置開關，以手動使其返回。

警告

危險！當在瓦斯供應網路的零件上進行壓接 / 加壓作業時會有造成瓦斯外漏的風險！

- ▶ 除非系統供應商有提供使用本機具搭配經特殊測試與認可之裝置進行作業之明確認可，否則請勿對瓦斯供應網路的零件進行壓接 / 加壓作業。

警告

因飛散碎片而受傷之風險！飛散的碎片可能傷及眼睛和人體。

- ▶ 請配戴防護眼鏡和手套。
- ▶ 請使用備有正確壓接環和壓接鉗/轉接鉗的連接頭。
- ▶ 進行壓接作業前和期間請確認，壓接環和壓接鉗/轉接鉗已確實對齊。

注意

操作錯誤導致財物損失！壓接機具和/或壓接環可能會因操作錯誤而受損。


- ▶ 開始作業前請確認，壓接環未沾染灰塵。
- ▶ 開始作業前請使用潤滑劑和防腐蝕噴劑（#308976）為壓接環和滾輪作動器（若有）進行潤滑。
- ▶ 請遵守製造商的原始操作說明書。



壓接點持久性密合的必要條件是務必讓壓接鉗完全閉合，以確保壓接作業確實完成。
若壓接作業過早結束，則必須將接點拆掉或在可能的情況下重新壓接。



i 液壓油在寒冷的天氣條件下會變得濃稠，可能導致壓接作業速度變慢。請執行5至10次的空壓壓接作業，讓壓接機具暖機。

1. 請安裝壓接鉗。  56
2. 緊壓壓接鉗握把。
 - ▶ 壓接鉗隨即開啟。
3. 將待進行壓接的配件置入壓接鉗中。
4. 按住控制開關，直到活塞重新返回。
 - ▶ 壓接作業已順利完成。

7 維護和保養

警告

如果不進行維護，有導致受傷的危險！

- ▶ 使用15000次或1年後需要維護，且必須由授權的Hilti Service Center執行。忽略定期維護可能會造成操作者嚴重的安全風險，和/或導致壓接失敗。

警告

電池裝入時有受傷的危險！

- ▶ 進行維護及保養前，請務必卸下電池！

產品保養

- 小心地清除頑強的髒污。
- 若有，請使用乾燥的軟刷子小心地清潔通風口。
- 僅可使用微濕的軟布清潔機殼。請勿使用含矽膠的清潔或亮光劑，因為可能會造成塑膠零件損壞。
- 請使用乾淨的乾布清潔產品的接點。

鋰電池的保養

- 通風口堵塞時請勿使用電池。請使用乾燥的軟刷子小心地清潔通風口。
- 請避免電池暴露在粉塵或髒污的環境之中。請勿讓電池接觸過高的濕氣（例如：浸入水中或淋雨）。電池若濕透，請將該電池視為已受損。請將電池隔絕在不可燃的容器內，並洽詢Hilti維修中心。
- 避免電池沾上油脂。避免讓電池上積聚粉塵或髒污。請使用乾燥的軟刷或乾淨的乾布清潔電池。請勿使用含矽膠的清潔或亮光劑，因為可能會造成塑膠零件損壞。
請勿觸摸電池的觸點或從觸點上去除廠塗敷的油脂
- 僅可使用微濕的軟布清潔機殼。請勿使用含矽膠的清潔或亮光劑，因為可能會造成塑膠零件損壞。

維護

警告

電擊的風險！損壞的電子零件會造成嚴重的人員傷害及灼傷。

機具或設備電力部分的維修僅可交由訓練過的電力專員處理。

- 定期檢查外部零件和控制元件有無損壞跡象，並確認它們運作正常。
- 如果有損壞跡象或任何零件功能故障，請不要操作本產品。請立即將產品交付Hilti維修中心進行維修。
- 清潔及保養後，裝上所有防護套或保護裝置並檢查功能是否正常。

i 為確保運作的安全及可靠性，請務必使用原廠Hilti備件、耗材與配件。您可以在Hilti Store或在以下網站選購Hilti認可的備用零件、耗材和配件：www.hilti.group

8 充電式機具和電池的運輸與存放

搬運

注意

搬運時意外啟動！

- ▶ 搬運產品時務必卸下電池！
- ▶ 取出電池。
- ▶ 切勿散裝運輸電池。運送過程中，應保護電池避免衝擊與震動並與導電物質或其他電池隔離，以免因與電池端子接觸而造成短路。請遵守您所在地當地的電池運輸規範。



- ▶ 請勿以郵寄方式遞送電池。若要運送未損壞之電池，請洽詢運送服務商。
- ▶ 每次使用前以及長途運輸前後請檢查本產品和電池是否受損。

設備的貯放



警告

瑕疵或漏液的電池所造成的意外損害！

- ▶ 存放產品時，一律不可插入電池！
-
- ▶ 請將本產品和電池存放在陰涼及乾燥處。請遵守技術性數據中所規定的溫度極限值。
 - ▶ 請勿將電池貯放在充電器中。完成充電程序後，請將電池從充電器取出。
 - ▶ 請勿將電池存放在有日光直射處、熱源上或玻璃後方。
 - ▶ 請將本產品和電池存放在兒童或未授權人員無法觸及的地點。
 - ▶ 每次使用前以及長時間存放前後請檢查本產品和電池是否受損。

9 故障排除

若您遇到未列出的問題或是無法自行排除的問題，請聯絡Hilti維修中心。

9.1 壓接 / 加壓機具功能不正常。

故障	可能原因	解決方法
電池上的LED未亮起。	沒有正確安裝電池。	▶ 壓下電池直到聽見咬合時發出的兩聲喀啦聲。
	電池已放電。	▶ 更換電池，並對無電量的電池再次充電。
	該電池過熱或過冷。	▶ 將電池放在室溫下緩慢降溫或升溫。
電池上的1個LED閃爍。	電池已放電。	▶ 更換電池，並對無電量的電池再次充電。
	該電池過熱或過冷。	▶ 將電池放在室溫下緩慢降溫或升溫。
電池上的4個LED閃爍。	產品瞬間過載。	▶ 讓產品冷卻。
紅色LED => 持續亮起並發出警示音。	技術問題。	▶ 可能有不當操作！聯絡Hilti維修中心。
紅色LED => 短間隔閃爍且發出警示音。	電池電量過低無法完成操作。	▶ 更換電池，並對無電量的電池再次充電。
紅色LED => 短暫亮起且未發出警示音。	產品過熱。	▶ 讓產品冷卻。

9.2 壓接 / 加壓機具功能正常。

故障	可能原因	解決方法
電池較一般電池壽命短。	周遭環境溫度極低。	▶ 將電池放在室溫下緩慢升溫。
電池咬合時沒有發出兩聲喀啦聲。	電池上的卡樁太髒。	▶ 清潔卡樁並重新安裝電池。
紅色LED => 長間隔閃爍且發出警示音。	未達到壓接 / 加壓壓力（機具使用不當）。	▶ 請確認機具使用方式正確，若不確定請檢查壓接 / 加壓情況。
紅色LED => 持續亮起並發出警示音。	技術問題。	▶ 可能有不當操作！聯絡Hilti維修中心。
紅色LED => 連續亮起且未發出警示音。	產品需要維護。	▶ 聯絡Hilti維修中心。




10 廢棄設備處置

警告

不當的廢棄物處理可能導致人員受傷！洩漏出來的氣體或液體有害健康。

- ▶ 請勿以郵寄方式寄送電池。
- ▶ 將電池端子蓋上不導電物質（例如絕緣膠帶）以避免短路。
- ▶ 請將電池棄置於兒童無法觸及的地方。
- ▶ 請將該電池送交Hilti Store處理或洽詢權責的廢棄處理公司。

 Hilti產品所採用的材料大部分均可回收再利用。材料在回收前必須正確地分類。Hilti在許多國家都有提供老舊機具回收服務。請洽詢Hilti客服中心或您在地經銷商。



- ▶ 不可將電動工具、電動裝置和電池當成一般垃圾丟棄！

11 RoHS (有害物質限制指令)

按一下本連結可前往危險物質表：qr.hilti.com/r7794691。

您可在文件最後找到QR碼格式的RoHS表連結。

12 製造商保固

- ▶ 如果您對於保固條件有任何問題，請聯絡當地Hilti代理商。

Hilti Taiwan Co., Ltd.


24F., No. 16, Xinzhan Rd., Banqiao Dist., New Taipei City 220, Taiwan (R.O.C.)

Tel. 0800-221-036

原版操作說明

1 關於本操作說明的信息

1.1 關於本操作說明

- **警告！** 在使用本產品之前，請確保您已閱讀並理解產品隨附的操作說明，包括說明、安全和警告通知、插圖和規格。尤其要熟悉所有說明、安全和警告通知、插圖、規格、組件和功能。否則可能會導致觸電、火災和/或嚴重傷害的風險。保存操作說明，包括所有說明、安全和警告通知，以供以後使用。
- **HILTI** 產品經設計適用於專業用戶，只有經過專門訓練的授權人員才允許操作、維修和維護本產品。必須將任何可能的危險專門告知該人員。不按照說明使用或由未經培訓的人員不正確地使用本產品及其輔助設備可能會帶來危險。
- 隨附的操作說明符合印刷時的最新技術水平。始終在 Hilti 產品頁面上在线查找最新版本。為此，請點擊這些操作說明中標有  符號的鏈接或二維碼。
- 僅將產品連同本操作說明一起交給他人。

1.2 所用標志的說明

1.2.1 警告

警告是為了提醒您在處理或使用此產品時會發生的危險。使用以下信號詞：

-危險-

危險！

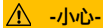
- ▶ 用於让人们能够注意到会导致严重身体伤害或致命的迫近危險。

-警告-

警告！

- ▶ 用於提醒人们注意可能导致严重或致命伤害的潜在危險。





小心！

▶ 用于提醒人们注意可能造成人身伤害、设备损坏或其他财产损失的潜在危险情况。

1.2.2 操作说明中的符号

本操作说明中使用下列符号：

	遵守操作说明
	使用说明和其他有用信息
	处理可回收材料
	不得将电气设备和电池作为生活垃圾处置
	Hilti 锂离子电池
	Hilti 充电器

1.2.3 图示中的符号

图示中使用了下列符号：

	这些编号指本操作说明开始处的相应图示。
3	图示中的编号反映操作顺序，可能与文本中描述的步骤不同。
	位置编号被用于 概览 图中并表示 产品概览 段落中的图例编号。
	这些字符旨在提醒您特别注意操作本产品时的某些要点。

1.3 产品上的符号

1.3.1 与产品相关的符号

产品上使用下列符号：

	挤压伤风险！
	直流电 (DC)
	设备支持近场通信 (NFC) 技术，兼容于 iOS 和安卓平台。
Li-Ion	锂离子电池
	使用 Hilti 锂离子电池类型系列。请遵守“合规使用”一章中所述信息。
	切勿将电池用作敲击工具。
	请勿让电池掉落。切勿使用受到撞击或有任何损坏的电池。
	如果产品上有，则表示该产品已经通过该认证机构根据适用标准获得了美国和加拿大市场的认证。

1.4 产品信息

产品经设计适用于专业用户，只有经过专门训练的授权人员才允许操作、维修和维护本产品。必须将任何可能的危险专门告知该人员。不按照既定用途使用或由未经培训的人员不正确地使用本产品及其辅助设备可能会带来危险。

型号名称和序列号印在铭牌上。



2207113

- 在下表中填写序列号。在联系 Hilti 维修中心或当地 Hilti 机构询问产品时，将要求您提供产品的详细信息。
产品信息

压接/冲压工具	NPR 019 IE-A22
分代号	01
序列号	

1.5 符合性声明

制造商全权负责声明，此处所述及的产品符合现行法规和标准。一致性声明副本位于本文档结尾处。
技术文档在此处归档：

Hilti Entwicklungsgesellschaft mbH | Tool Certification | Hiltistrasse 6 | D-86916 Kaufering, Germany

2 安全

2.1 一般电动工具安全警告

警告 请阅读本电动工具随附的所有安全警告、说明、图示和技术规范。不遵守下列所有操作说明可能会导致电击、火灾和/或严重人身伤害。

请保存所有安全警告和操作说明，以供将来参考。

在所有下列的警告中术语“电动工具”指市电驱动(有线)电动工具或电池驱动(无线)电动工具。

工作区域安全

- 保持工作区域清洁和良好照明。杂乱和黑暗的区域容易导致事故。
- 不要在爆炸性环境中操作电动工具，例如有易燃液体、气体或灰尘。电动工具会产生可以点燃这些灰尘或烟雾的火花。
- 在操作电动工具时，要令儿童和旁观者远离工作现场。万一分心，可能会使您失去对电动工具的控制。

电气安全

- 电动工具(设备)插头必须匹配电源插座。切勿以任何方式改动插头。对于接地的电动工具(设备)，不要使用任何适配器插头。使用未经改动的插头和匹配的电源插座可以大大减少电击危险。
- 避免人体接触接地表面，如管道、散热片和冰箱。如果您的身体接地，则会增加电击危险。
- 不要将电动工具暴露在雨水或潮湿环境中。电动工具进水将会增加电击危险。
- 不要滥用电缆。切勿使用电缆运送、拉动或拔出电动工具。保持电缆远离高温、油、锋利边缘或运动部件。电缆损坏或缠绕会增加电击危险。
- 当在户外操作电动工具时，应使用经认可适合户外操作的加长电缆。使用适合户外使用的电缆可减少电击危险。
- 如果在潮湿环境下操作电动工具是不可避免的，应使用剩余电流动作保护器(RCD)。使用 RCD 可减小电击危险。

人身安全

- 保持警觉，注意您正在进行的工作，并在操作电动工具的过程中，应利用自己的判断能力。当您疲劳或受到药物、酒精或医疗影响时，请不要使用电动工具。当操作电动工具时，瞬间的分心都可能导致严重的人身伤害。
- 使用个人防护装备。一定要戴上护目装置。安全装置，诸如适当条件下使用防尘面具、防滑安全鞋、安全帽、听力防护等装置能减少人身伤害。
- 防止电动工具意外启动。在连接至电源和/或电池组、拿起或搬运电动工具之前，应确保开关处于“关闭”位置。将手指放在开关上搬运电动工具或在开关处于“打开”位置时接通电源，都可能会导致事故发生。
- 在打开电动工具之前，必须拿掉任何调整键或扳手。让扳手或调整键留在电动工具的旋转部件上可能会导致人身伤害。
- 不要操之过急。应时刻保持正确的站姿和平衡。这在意外情况下能够更好地控制电动工具。
- 应确保正确着装。不要穿着松垮的衣服或佩戴首饰。让头发和衣服远离运动部件。松垮的衣服、首饰或长发会卡在运动部件中。
- 如果提供有用于连接除尘和集尘设施的装置，应确保将它们连接好并正确使用。使用除尘装置可以减少与灰尘相关的危险。
- 经常使用工具能令您获得较高的熟练度，但不能因此掉以轻心和忽视工具安全准则。一次不慎操作就会在瞬间导致重伤。

电动工具的使用和维护

- 不要强制使用电动工具。针对您的应用场合使用正确的电动工具。正确的电动工具在其额定设计值范围内将能够更好和更安全地工作。
- 如果通过开关不能使其打开和关闭，则请不要使用电动工具。任何不能通过开关进行控制的电动工具都是危险的，必须对其进行修理。



- ▶ 在进行任何调整、更换配件或存放电动工具之前，应从电源上断开插头和/或从电动工具上拆下电池组（若可拆卸）。此预防性安全措施可减少意外启动电动工具的危险。
- ▶ 将不用的电动工具存放在儿童拿不到的地方，并且不要让不熟悉电动工具或其操作说明的人员操作电动工具。未经培训的用户操作电动工具是危险的。
- ▶ 维护电动工具和配件。检查是否存在运动部件失调或卡滞、部件断裂和任何其它影响电动工具操作的情况。如果存在损坏，则在使用之前应修理电动工具。许多事故都是由于电动工具维护不良造成的。
- ▶ 保持切削工具锋利和清洁。带锋利切削刃的切削工具如果维护得当，很少会发生卡滞且更容易控制。
- ▶ 按照使用说明书，考虑作业条件和进行的作业来使用电动工具、附件和工具的刀头等。将电动工具用于指定用途以外的场合会导致危险。
- ▶ 使手柄和抓握面保持干燥、清洁且没有油脂。如果手柄和抓握面打滑，将无法在意外情况下安全操作或控制本工具。

无绳（电池操作）工具/设备的使用和维护

- ▶ 充电时只能使用制造商指定的充电器。适合某种类型电池组的充电器如果被用于为另一类型电池组充电，则可能会带来火灾危险。
- ▶ 只能使用专用电池组为电动工具供电。使用任何其它电池组可能会带来人身伤害和火灾。
- ▶ 当电池组不用时，应使其远离其它金属物体，例如纸夹、硬币、钥匙、钉子、螺钉或其它小的金属物体，以免造成短路。如果电池端子被短路，则会造成人身烧伤或火灾。
- ▶ 如果持续滥用电池，则可能会造成液体从电池中喷射出来；注意避免接触到液体。如果意外接触到液体，应用水冲洗。如果液体接触眼睛，除了用大量清水冲洗外，还应立即就医。从电池中喷射出来的液体会导致疼痛或灼伤。
- ▶ 不要使用损坏或改装过的电池组或工具。损坏或改装过的电池会造成不可预测的情形，导致火灾、爆炸或受伤风险。
- ▶ 不要将电池组或工具暴露在明火或过高的温度中。暴露在明火或超过 130 °C (265 °F) 温度中可能导致爆炸。
- ▶ 遵守所有充电说明，且不要在使用说明规定的温度范围之外对电池组或工具充电。充电不正确或在规定温度范围之外充电会损坏电池并增加火灾风险。

保养

- ▶ 将您的电动工具送交专业维修人员，使用同样的备件进行修理。这样才能确保维持电动工具（设备）的安全性。
- ▶ 切勿擅自维修损坏的电池组。仅可由制造商或授权服务提供商执行电池组的维修。

2.2 压接工具附加安全说明

人身安全

- ▶ 请仅在产品处于完美运转的状态下使用它。
- ▶ 不得以任何方式滥用或改动本设备。
- ▶ 切勿对燃气供应管网部件执行压接/冲压作业，除非系统供应商已明确批准将本工具与经过专门测试并获得认可的配件一起使用。
- ▶ 如果发现机油流出，则不要继续使用工具，并且联系 Hilti 售后服务。立即清理流出的机油。
- ▶ 检查锁销是否被完全推入并牢固接合。
- ▶ 确保压接钳口内没有异物（例如灰泥、砂粒、金属切屑等），且没有部件被损坏。不要继续使用已损坏或变形的压接钳口！
- ▶ 在压接过程中，务必在压接头和手/手指之间确保足够的距离。
- ▶ 在工作位置上才接通压接工具。
- ▶ 始终用双手在配套设计的固定手柄上握持压接工具。
- ▶ 保持保险带和系绳的清洁及干燥。
- ▶ 开始作业之前，先按照说明检查压接工具和 NPR PM 压接钳口。设备和钳口未经过充分测试可能导致压接结果不符合标准，并为操作人员带来潜在安全风险。最近必须在每完成 15,000 次压接操作后将本压接工具送到 Hilti 维修中心接受一次检查，且至少每年一次。每年至少必须将压接钳口送到 Hilti 维修中心接受一次维护。
- ▶ 压接完成后，对管道系统执行压力测试，以确保其没有泄漏（例如由本工具使用不当导致的泄漏）。

电气安全

- ▶ 使用本设备之前，应先断开用户工作区域内的所有带电电缆或其它正在传输电压的部件。如果无法做到这一点，则必须执行并遵守在带电电缆或设备附近工作的相应安全注意事项。
- ▶ 在使用压接工具前，确保在工作区域中没有任何弯曲变形的电导线以及气管或者水管。如果意外损坏了电导线、气管或者水管，则裸露的、金属的或者带电部件可能会导致您触电。
- ▶ 不要压接带电部件。必须将本设备视为未采取绝缘处理，因此其必须配合适当类型的个人防护装备（防护手套、防护鞋、防护服等）使用，以便为您自己和附近其它人员提供保护。



电动工具的使用和维护

- ▶ 连续完成约 50 次压接操作后，关闭电动工具并使其冷却约 15 分钟。过热可能导致设备损坏。

2.3 小心处理和使用电池

- ▶ 请遵守以下关于安全操作和使用锂离子电动工具电池的安全提示。若未能遵守，会导致皮肤刺激、严重的腐蚀伤、化学烫伤、火灾和/或爆炸。
- ▶ 只有电池处于良好的技术状态时才能使用。
- ▶ 请小心地处理电池，以防损坏电池和避免对健康极有害的液体泄漏！
- ▶ 严禁改装或篡改电池！
- ▶ 不要分解、挤压或焚烧电池，不要将其暴露在高于 80 °C (176 °F) 的温度条件下。
- ▶ 对于遭受过撞击或有其他损坏的电池，切勿使用或对其进行充电。定期检查电池是否有损坏的迹象。
- ▶ 切勿使用回收的或修理过的电池。
- ▶ 切勿将电池或电池供电的电动工具用作锤子。
- ▶ 切勿将电池暴露在直射的阳光下、高温、火花或明火中。可能会导致爆炸。
- ▶ 切勿用手指、工具、珠宝或其他导电物体接触电池极片。否则会损坏电池，造成财产损失和人身伤害。
- ▶ 确保电池远离雨水、潮气和液体。受潮会导致短路、漏电、火灾或爆炸。
- ▶ 仅限使用经批准用于特定电池类型的充电器和电动工具。阅读并遵守相关操作说明中的规定。
- ▶ 不得在易爆环境中存放或使用电池。
- ▶ 如果电池发热烫手，则可能有故障。请将电池放在醒目且无火灾风险的地方，并与易燃物品保持足够距离。让电池自行冷却。如果一小时后电池仍然发热烫手，则表示存在故障。请联系 Hilti 维修中心或阅读文档“有关 Hilti 锂离子电池安全性和使用的提示”。

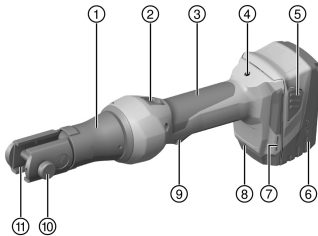


请遵守适用于锂离子电池运输、存储和使用的特殊准则。 69

请通过扫描该操作说明末尾的二维码来阅读有关 Hilti 锂离子电池安全性和使用的提示。

3 说明

3.1 产品概述



- ① 压接/冲压头
- ② 活塞复位开关，用于在发生故障时或在紧急情况下下打开压接/冲压钳口
- ③ 壳体
- ④ 维修和故障指示灯（红色 LED）
- ⑤ 电池释放按钮
- ⑥ 电池
- ⑦ 两侧的插槽，用于紧固 Hilti 固定带
- ⑧ 白色 LED，用于为工作区域提供照明
- ⑨ 控制开关
- ⑩ 锁销，用于打开/关闭工具头
- ⑪ 压接/冲压钳口

3.2 预期用途

此处所述的产品是一款充电式电动液压压接工具。其设计用于压接复合管、铜 (Cu) 管和钢管的连接件。

- 本产品仅可与 Hilti B 22 系列锂离子电池搭配使用。
- 此类电池仅限使用 Hilti 认可的充电器充电。更多信息可访问 Hilti Store 或 www.hilti.group

3.3 锂离子电池状态显示

锂离子电池的荷电状态和本产品的故障由锂离子电池的指示灯指示。按下两个电池释放按钮中的一个后，显示锂离子电池的充电状态。

状态	含义
4 个 LED 亮起。	充电状态：75% 至 100%
3 个 LED 亮起。	充电状态：50% 至 75%



状态	含义
2 个 LED 亮起。	充电状态 : 25% 至 50%
1 个 LED 亮起。	充电状态 : 10% 至 25%
1 个 LED 闪烁。	充电状态 : < 10%

i 按下控制开关 5 秒，松开开关之后，将不会显示电池的充电状态。如果充电状态指示灯的 LED 闪烁，请遵照“故障排除”章节中的说明操作。

3.4 供货提供的部件

压接/冲压工具、操作说明。

经批准可以配合本产品使用的其它系统产品，可以通过您当地的 **HILTI STORE** 购买或通过网址在线订购：
www.hilti.group

4 技术数据

	NPR 019 IE-A22
额定电压	21.6 V
符合 EPTA Procedure 01 要求的重量 (包括电池) B228.0	2.7 kg
压接时间	≈ 4 s
最大压接力	19 kN
存放温度	-20 °C ... 70 °C
工作环境温度	-17 °C ... 60 °C

4.1 噪音信息和振动值按照 EN 62841 标准

这些说明中给出的声压和振动值按照标准化测试的要求测得，可用于比较一种电动工具与另一种电动工具。它们还可用于初步评价受振动影响的程度。

提供的数据代表本电动工具的主要应用。但是，如果将电动工具用于不同的应用、使用不同的配套工具或维护不良，则数据可能不同。这可能会显著增加操作者在整个工作期间受振动影响的程度。

对受振动影响程度的准确估计还应考虑当关闭电动工具或当它运行但实际上未进行工作时的情况。这可能会显著减小操作者在整个工作期间受振动影响的程度。

此外，应确定附加安全措施，以保护操作者免受噪音和/或振动影响，例如：正确维护电动工具和配套工具、保持双手温暖、制订合理的工作计划等。

噪音值

声 (功率) 级 (L_{WA})	80 dB(A)
声音功率级的不确定性 (K_{WA})	2.5 dB(A)
排放声压级 (L_{pA})	70 dB(A)
声压级的不确定性 (K_{pA})	2.5 dB(A)

振动值

总振动 (操作期间) (a)	2.5 m/s ²
不确定性 (K)	1.5 m/s ²

4.2 电池

电池工作电压	21.6 V
环境温度	-17 °C ... 60 °C
存放温度	-20 °C ... 40 °C



5 工作现场的准备工作

-警告-

人身伤害的危险！意外启动的风险！

- ▶ 插入电池前，确保已关闭产品。
- ▶ 对电动工具执行任何调节或更换配件前，先取出电池。

请遵守本文档中以及产品上的安全说明和警告。

5.1 给电池充电

1. 为电池充电之前，请阅读充电器的操作说明。
2. 确保电池和充电器上的触点均清洁、干燥。
3. 使用认可的充电器为电池充电。 64

5.2 插入电池

-警告-

人身伤害的危险！短路或电池掉落会带来人身伤害的危险！

- ▶ 装入电池之前，确保电池和产品上的触点上均无异物。
 - ▶ 确保电池接合正确。
1. 在首次使用电池之前，要给电池完全充电。
 2. 将电池推入产品，直至听到卡止声。
 3. 检查并确认电池已可靠就位。

5.3 拆卸电池

1. 按下电池释放按钮。
2. 将电池从工具中取出。

5.4 防坠落装置

-警告-

人身伤害的危险！会带来人身伤害的危险！

- ▶ 请只是为您的产品推荐的 Hilti 工具绳索。
- ▶ 在使用前请检查工具绳索的固定点有无损坏。



注意高空作业的国家法规。

请仅使用 Hilti 保险带 #2293133 和 Hilti 工具挂绳 #2261970 作为本产品的防坠落保护装置。

- ▶ 将保险带固定到附件的安装孔中。检查是否已牢牢固定。
- ▶ 将工具挂绳的一个弹簧钩固定到保险带上，另一个弹簧钩固定到支撑结构上。检查两个弹簧钩是否已牢牢固定。



请遵守 Hilti 保险带以及 Hilti 工具挂绳的操作说明。

5.5 安装压接/冲压钳口

-小心-

人身伤害的危险！配套工具可能会发烫和/或边缘很锋利。

- ▶ 更换配套工具时，戴上防护手套。
- ▶ 切勿将热的配套工具放在易燃表面上。



警告

人身伤害的危险！意外启动。

- ▶ 安装、更换或拆卸压接/冲压钳口之前，先取出电池。



未安装压接钳口时，切勿操作本产品！

为确保正确压接以及安全可靠的操作，只能使用系统供应商和/或机器制造商认可的压接钳口。

1. 取出电池，选择最合适的压接/冲压钳口。
2. 按压锁销。
3. 逆时针旋转锁销，直到转不动为止。
4. 拉出锁销。
5. 安装压接/冲压钳口。
6. 推入锁销，直到其接合。
7. 将压接/冲压头旋转至所需的作业位置。



当未受压时，压接/冲压头旋转起来要轻松得多。

5.6 拆卸压接/冲压钳口

警告

人身伤害的危险！意外启动。

- ▶ 安装、更换或拆卸压接/冲压钳口之前，先取出电池。

1. 取出电池，将压接/冲压头转入开始位置。
2. 按压锁销。
3. 逆时针旋转锁销，直到转不动为止。
4. 拉出锁销。
5. 将压接钳口从本产品中向前取出。

6 操作

请遵守本文档以及产品上的安全说明和警告。

6.1 执行压接过程

危险

电击危险！在不利的条件下作业可能会导致触电和/或短路。

- ▶ 切勿在恶劣天气条件下在带电导线上作业。
- ▶ 如果天气条件影响到绝缘性能、视线或者操作人员的动作，则立即停止工作。

警告

高压下溢出的机油有导致人身伤害的危险！高压下溢出的机油可能导致皮肤和眼部受伤。

- ▶ 如果存在可见损坏，则不要使用压接工具。
- ▶ 如果机油溢出，则不要使用压接工具。
- ▶ 确保活塞在每次压接过程后都复位。
- ▶ 如果活塞在压接过程后不复位，则操作于手动复位的复位开关。

警告

危险！对燃气供应管网部件执行压接/冲压作业时存在导致燃气泄漏的风险！

- ▶ 切勿对燃气供应管网部件执行压接/冲压作业，除非系统供应商已明确批准将本工具与经过专门测试并获得认可的配件一起使用。



-警告-

飞溅的碎片会带来人身伤害的危险！飞溅的物料可能会导致眼部和身体伤害。

- ▶ 穿戴护目镜和防护手套。
- ▶ 使用合适的连接材料和正确的压接环及压接/转接钳口。
- ▶ 在压接前和压接过程中，确保压接环和压接/转接钳口正确对齐。

-小心-

错误的操作会导致财产损失！错误的操作可能导致压接工具和/或压接环损坏。

- ▶ 在开始作业前，确保压接环没有灰尘。
- ▶ 在开始作业前，用润滑剂和防锈喷剂 (#308976) 润滑压接环和滚动执行器 (如有)。
- ▶ 遵照制造商的原版操作说明。

为了获得紧密、耐用的压接头，必须使压接钳口到达完全关闭位置，从而指示压接过程完成。如果压接过程过早结束，则必须移除接头或 (如有可能) 重新压接。

液压油在低温天气条件下可能会变稠，并且降低压接过程的速度。执行 5 至 10 次空压接操作，以便加热压接工具。

1. 安装压接/冲压钳口。 66
2. 将压接钳口柄压到一起。
 - ▶ 压接钳口打开。
3. 用压接钳口包住需要压接的配件。
4. 按压并且按住控制开关，直至活塞重新复位。
 - ▶ 压接过程成功结束。

7 维护和保养

-警告-

不执行保养有人身伤害的危险！

- ▶ 务必在 15,000 次循环或 1 年后进行保养且必须由经过授权的 Hilti Service Center 执行。忽视定期保养可能会对操作人员构成严重的安全风险和/或导致错误的压接。

-警告-

插入电池时存在人身伤害危险！

- ▶ 执行维护和保养任务之前，请务必先取出电池。

工具的保养

- 请小心地清除顽固污渍。
- 用干燥的软毛刷 (若有) 小心地清洁通风孔。
- 请仅使用微湿的抹布清洁外壳。不要使用含硅清洁剂，否则可能腐蚀塑料件。
- 用干燥干净的布清洁产品触点。

锂离子电池的保养

- 切勿使用通风孔堵塞的电池。用干燥的软毛刷小心地清洁通风孔。
- 避免不必要地将电池暴露在粉尘或污垢中。切勿将电池暴露在高湿度的环境中 (例如将其浸在水中或放在雨中)。
如果电池浸湿，请如处理损坏的电池那样对其进行处理。将其隔离在不可燃的容器中，然后联系 Hilti 维修中心。
- 确保电池远离油和油脂。切勿让不必要的粉尘或脏污积聚在电池上。用干燥的软毛刷或干燥柔软的布清洁电池。不要使用含硅清洁剂，否则可能腐蚀塑料件。
请勿触摸电池触点或从触点上去除出厂涂的油脂。
- 请仅使用微湿的抹布清洁外壳。不要使用含硅清洁剂，否则可能腐蚀塑料件。



维护

-警告-

电击危险！ 电气部件的不当维修会造成包括灼伤在内的严重人身伤害。

- ▶ 工具或设备的电气系统只能由受过培训的电气专业人员进行维修。
- 定期检查所有可见部件和控制器是否出现损坏迹象，确保其全部正常工作。
- 如果发现损坏迹象或如果有部件发生故障，不要操作本产品。立即将本产品交由 Hilti 维修中心修复。
- 清洁和维护之后，安装所有护板或保护装置，检查并确认其正常工作。



为确保安全和可靠的操作，仅使用 Hilti 原装备件、耗材和附件。经 Hilti 许可与产品搭配使用的备件、消耗品和配件可到您当地的 **Hilti Store** 购买或访问：www.hilti.group

8 电池型工具和电池的运输及存储

运输

-小心-

运输途中的意外启动！

- ▶ 运输产品前务必将电池取出！
- ▶ 取下电池。
- ▶ 切勿松散、未加保护地运输电池。在运输过程中，应保护电池免受过度冲击或振动影响，并将其与任何导电材料或其它电池分开（因为它们可能会接触到电池端子并导致短路）。**请遵守当地的电池运输规定。**
- ▶ 请勿以邮寄方式运送电池。有关如何运送完好电池的说明，请咨询您的发货商。
- ▶ 每次使用前以及长时间运输前后都要检查产品和电池是否损坏。

存放

-警告-

故障或泄漏的电池会导致意外损坏！

- ▶ 仅可在未插入电池的情况下存放产品！
- ▶ 请将产品和电池存放在凉爽干燥的地方。请遵守技术数据中规定的温度极限值。
- ▶ 请勿将电池存放在充电器中。充电过程结束后请始终将电池从充电器中取出。
- ▶ 切勿将电池存放在阳光下、热源上或玻璃后。
- ▶ 请将本产品 and 电池存放在儿童或非授权人员无法接近的位置。
- ▶ 每次使用前以及长时间存放前后都要检查产品和电池是否损坏。

9 故障排除

如果您碰到的问题未在此表中列出或您无法自己实施补救措施，请联系 **Hilti** 服务部门。

9.1 压接/冲压工具未处于正常工作状态。

故障	可能原因	解决方案
电池上的 LED 无指示。	电池未正确插入。	▶ 推入电池，直到听到其接合的双咔嗒声。
	电池放电。	▶ 更换电池，并对已放电电池充电。
	电池过热或过冷。	▶ 使电池冷却或变暖至室温。
电池上的 1 个 LED 闪烁。	电池放电。	▶ 更换电池，并对已放电电池充电。
	电池过热或过冷。	▶ 使电池冷却或变暖至室温。
电池上的 4 个 LED 闪烁。	产品暂时过载。	▶ 使产品冷却。
红色 LED => 持续亮起，并且发出警告音。	技术问题。	▶ 可能操作不正确！联系 Hilti 维修中心。
红色 LED => 以较短的间隔闪烁，并且发出警告音。	电池荷电状态过低，无法完成一次完整的操作循环。	▶ 更换电池，并对已放电电池充电。
红色 LED => 短暂亮起，而未发出警告音。	产品过热。	▶ 使产品冷却。



9.2 压接/冲压工具处于正常工作状态。

故障	可能原因	解决方案
电池比平常更快耗尽。	非常低的环境温度。	▶ 允许电池缓慢加热到室温。
电池没有在听到“双咔哒”声的情况下接合。	电池上的固定凸耳脏污。	▶ 清洁固定凸耳，然后重新安装电池。
红色 LED => 以较长的间隔闪烁，并且发出警告音。	未达到压接/冲压压力 (工具使用不正确)。	▶ 确保正确使用工具，如果不确定，则检查压接/冲压情况。
红色 LED => 持续亮起，并且发出警告音。	技术问题。	▶ 可能操作不正确！联系 Hilti 维修中心。
红色 LED => 持续亮起，而未发出警告音。	产品需要维护。	▶ 联系 Hilti 维修中心。

10 废弃处置



警告

废弃处理不当会有人身伤害的危险！漏出的气体或液体会带来健康危害。

- ▶ 不得通过邮寄方式发送任何电池。
- ▶ 用非导电材料 (比如绝缘带) 包住端子，以防止短路。
- ▶ 在儿童接触不到的地方处置电池。
- ▶ 请将电池送交 **Hilti Store** 处置，或咨询当地的废弃处理机构以获取处置说明。

制造 **Hilti** 产品所用的大部分材料都可回收利用。在可以回收之前，必须正确分离材料。**Hilti** 在很多国家都提供旧工具回收服务。请咨询 **Hilti** 客户服务部门或您的销售顾问。



- ▶ 不要将电动工具、电子设备和电池扔进家庭垃圾中！

11 RoHS (有害物质限制)

单击链接跳转到有害物质表：qr.hilti.com/r7794691。

文档末尾以二维码形式提供指向 RoHS 表的链接。

12 制造商保修

- ▶ 如对保修条件有任何疑问，请联系您当地的 **Hilti** 代表。



EC Declaration of Conformity | UK Declaration of Conformity



Manufacturer:
Hilti Corporation
Feldkircherstraße 100
9494 Schaan | Liechtenstein

Importer:
Hilti (Gt. Britain) Limited
1 Trafford Wharf Road, Old Trafford
Manchester, M17 1BY

NPR 019 IE-A22 (01)

Serial Numbers: 1-99999999999

2006/42/EC | Supply of Machinery (Safety)
Regulations 2008

EN 62841-1:2015

2014/30/EU | Electromagnetic Compatibility
Regulations 2016

EN 55014-1:2017 +
A11:2020

EN 55014-2:2015

2011/65/EU | The Restriction of the Use of
Certain Hazardous Substances in Electrical and
Electronic Equipment Regulations 2012

A handwritten signature in blue ink, appearing to read "Tahar Zrilli", is placed over a light blue rectangular background.

Dr. Tahar Zrilli
Head of Quality and Process Management
Business Area Electric Tools & Accessories

Schaan, 19.07.2021

A handwritten signature in blue ink, appearing to read "Tassilo Deinzer", is placed over a light blue rectangular background.

Tassilo Deinzer
Executive Vice President
Business Unit Power Tools & Accessories



<http://qr.hiti.com/v/7794691>



Hilti Corporation
LI-9494 Schaan
Tel.:+423 234 21 11
Fax:+423 234 29 65
www.hilti.group



2207113