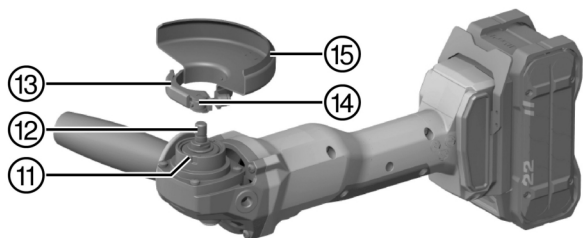
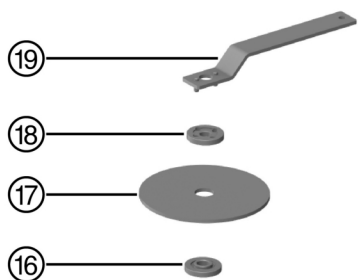
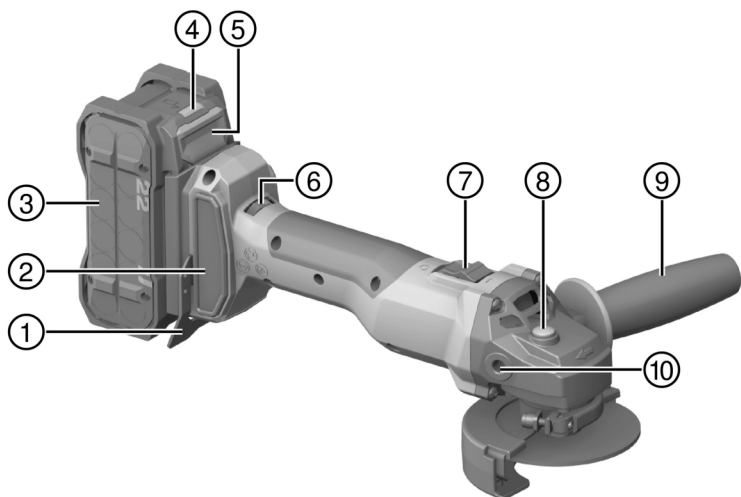




# AG 4S-22-100

**NU**RON

English	1
日本語	19
한국어	37
繁體中文	54
中文	70



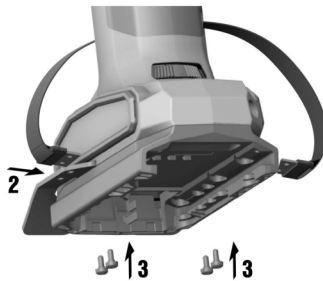
2



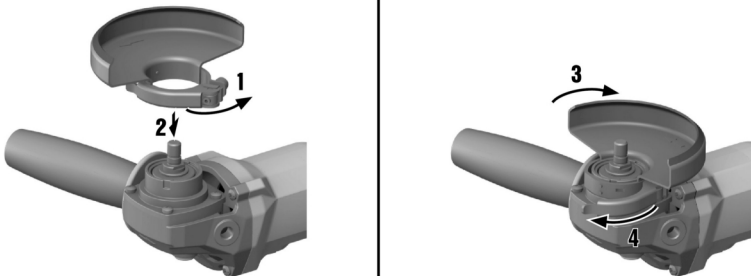
3



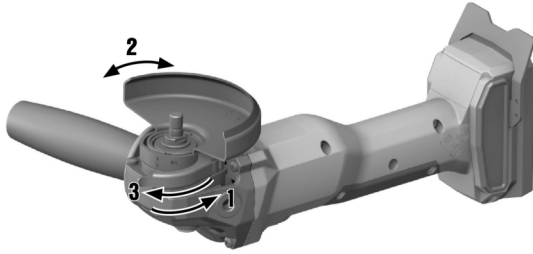
4



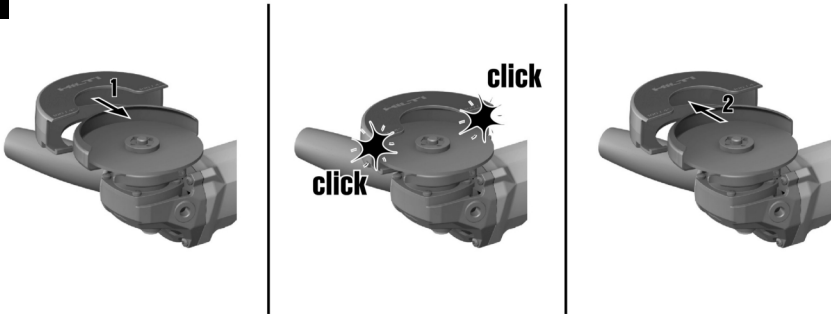
5



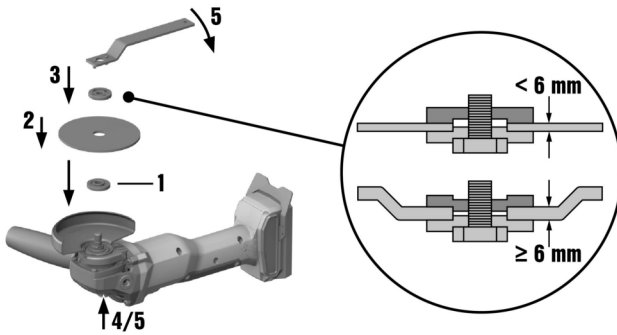
6



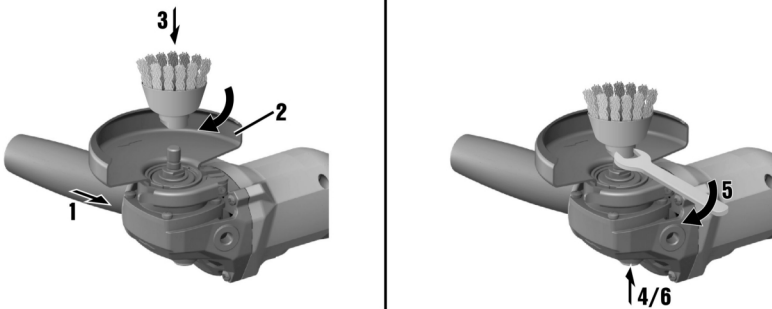
7

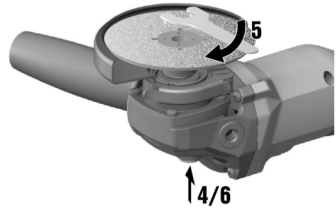
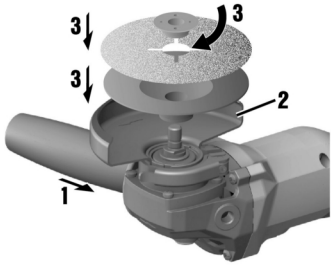


8



9





# AG 4S-22-100

en	Original operating instructions .....	1
ja	オリジナル取扱説明書 .....	19
ko	오리지널 사용 설명서 .....	37
zh	原始操作說明 .....	54
cn	原版操作说明 .....	70

# Original operating instructions

## 1 Information about the operating instructions

### 1.1 About these operating instructions

- **Warning!** Read and understand all accompanying documentation, including but not limited to instructions, safety warnings, illustrations, and specifications provided with this product. Familiarize yourself with all the instructions, safety warnings, illustrations, specifications, components, and functions of the product before use. Failure to do so may result in electric shock, fire, and/or serious injury. Save all warnings and instructions for future reference.
- products are designed for professional users and only trained, authorized personnel are permitted to operate, service and maintain the products. This personnel must be specifically informed about the possible hazards. The product and its ancillary equipment can present hazards if used incorrectly by untrained personnel or if used not in accordance with the intended use.
- The accompanying documentation corresponds to the current state of the art at the time of printing. Please always check for the latest version on the product's page on Hilti's website. To do this, follow the link or scan the QR code in this documentation, marked with the symbol .
- Ensure that these operating instructions are with the product when it is given to other persons.

### 1.2 Explanation of symbols

#### 1.2.1 Warnings

Warnings alert persons to hazards that occur when handling or using the product. The following signal words are used:

**DANGER**

**DANGER !**

- ▶ Draws attention to imminent danger that will lead to serious personal injury or fatality.

**WARNING**

**WARNING !**

- ▶ Draws attention to a potential threat of danger that can lead to serious injury or fatality.

**CAUTION**

**CAUTION !**

- ▶ Draws attention to a potentially dangerous situation that could lead to personal injury or damage to the equipment or other property.

#### 1.2.2 Symbols in the operating instructions

The following symbols are used in these operating instructions:

	Comply with the operating instructions
	Instructions for use and other useful information
	Dealing with recyclable materials
	Do not dispose of electric equipment and batteries as household waste
	<b>Hilti</b> Li-ion battery
	<b>Hilti</b> charger

#### 1.2.3 Symbols in illustrations

The following symbols are used in illustrations:

- 2** These numbers refer to the illustrations at the beginning of these operating instructions.



3	The numbering reflects the sequence of operations shown in the illustrations and may deviate from the steps described in the text.
⑪	Item reference numbers are used in the <b>overview illustration</b> and refer to the numbers used in the key in the <b>product overview</b> section.
	These characters are intended to specifically draw your attention to certain points when handling the product.

### 1.3 Product-dependent symbols

#### 1.3.1 Symbols on the product

The following symbols can be used on the product:

	Wear eye protection
$n_0$	Rated speed under no load
/min	Revolutions per minute
RPM	Revolutions per minute
$\varnothing$	Diameter
---	Direct current (DC)
	Do not work with the standard guard when carrying out cutting work.
	Always work with both hands.
	The product supports near-field communication (NFC) technology compatible with iOS and Android platforms.
Li-Ion	Li-ion battery
	Never use the battery as a striking tool.
	Do not drop the battery. Never use a battery that has suffered an impact or is damaged in any other way.

### 1.4 Product information

products are designed for professional users and only trained, authorized personnel are permitted to operate, service and maintain the products. This personnel must be specifically informed about the possible hazards. The product and its ancillary equipment can present hazards if used incorrectly by untrained personnel or if used not in accordance with the intended use.

The type designation and serial number are printed on the rating plate.

- ▶ Write down the serial number in the table below. You will be required to state the product details when contacting Hilti Service or your local Hilti organization to inquire about the product.

#### Product information

Cordless angle grinder	AG 4S-22-100
Generation	02
Serial no.	

### 1.5 Declaration of conformity

The manufacturer declares, on his sole responsibility, that the product described here complies with the applicable legislation and standards. A copy of the declaration of conformity can be found at the end of this documentation.

The technical documentation is filed here:

Hilti Entwicklungsgesellschaft mbH | Tool Certification | Hiltistrasse 6 | D-86916 Kaufering, Germany





## 2 Safety

### 2.1 General power tool safety warnings

**⚠ WARNING** Read all safety warnings, instructions, illustrations and specifications provided with this power tool. Failure to follow all instructions listed below may result in electric shock, fire and/or serious injury. **Save all warnings and instructions for future reference.**

The term "power tool" in the warnings refers to your mains-operated (corded) power tool or battery-operated (cordless) power tool.

#### Work area safety

- ▶ **Keep work area clean and well lit.** Cluttered or dark areas invite accidents.
- ▶ **Do not operate power tools in explosive atmospheres, such as in the presence of flammable liquids, gases or dust.** Power tools create sparks which may ignite the dust or fumes.
- ▶ **Keep children and bystanders away while operating a power tool.** Distractions can cause you to lose control.

#### Electrical safety

- ▶ **Power tool plugs must match the outlet. Never modify the plug in any way. Do not use any adapter plugs with earthed (grounded) power tools.** Unmodified plugs and matching outlets will reduce risk of electric shock.
- ▶ **Avoid body contact with earthed or grounded surfaces, such as pipes, radiators, ranges and refrigerators.** There is an increased risk of electric shock if your body is earthed or grounded.
- ▶ **Do not expose power tools to rain or wet conditions.** Water entering a power tool will increase the risk of electric shock.
- ▶ **Do not abuse the cord. Never use the cord for carrying, pulling or unplugging the power tool. Keep cord away from heat, oil, sharp edges or moving parts.** Damaged or entangled cords increase the risk of electric shock.
- ▶ **When operating a power tool outdoors, use an extension cord suitable for outdoor use.** Use of a cord suitable for outdoor use reduces the risk of electric shock.
- ▶ **If operating a power tool in a damp location is unavoidable, use a residual current device (RCD) protected supply.** Use of an RCD reduces the risk of electric shock.

#### Personal safety

- ▶ **Stay alert, watch what you are doing and use common sense when operating a power tool. Do not use a power tool while you are tired or under the influence of drugs, alcohol or medication.** A moment of inattention while operating power tools may result in serious personal injury.
- ▶ **Use personal protective equipment. Always wear eye protection.** Protective equipment such as a dust mask, non-skid safety shoes, hard hat or hearing protection used for appropriate conditions will reduce personal injuries.
- ▶ **Prevent unintentional starting. Ensure the switch is in the off-position before connecting to power source and/or battery pack, picking up or carrying the tool.** Carrying power tools with your finger on the switch or energising power tools that have the switch on invites accidents.
- ▶ **Remove any adjusting key or wrench before turning the power tool on.** A wrench or a key left attached to a rotating part of the power tool may result in personal injury.
- ▶ **Do not overreach. Keep proper footing and balance at all times.** This enables better control of the power tool in unexpected situations.
- ▶ **Dress properly. Do not wear loose clothing or jewellery. Keep your hair and clothing away from moving parts.** Loose clothes, jewellery or long hair can be caught in moving parts.
- ▶ **If devices are provided for the connection of dust extraction and collection facilities, ensure these are connected and properly used.** Use of dust collection can reduce dust-related hazards.
- ▶ **Do not let familiarity gained from frequent use of tools allow you to become complacent and ignore tool safety principles.** A careless action can cause severe injury within a fraction of a second.

#### Power tool use and care

- ▶ **Do not force the power tool. Use the correct power tool for your application.** The correct power tool will do the job better and safer at the rate for which it was designed.
- ▶ **Do not use the power tool if the switch does not turn it on and off.** Any power tool that cannot be controlled with the switch is dangerous and must be repaired.
- ▶ **Disconnect the plug from the power source and/or remove the battery pack, if detachable, from the power tool before making any adjustments, changing accessories, or storing power tools.** Such preventive safety measures reduce the risk of starting the power tool accidentally.



- ▶ **Store idle power tools out of the reach of children and do not allow persons unfamiliar with the power tool or these instructions to operate the power tool.** Power tools are dangerous in the hands of untrained users.
- ▶ **Maintain power tools and accessories. Check for misalignment or binding of moving parts, breakage of parts and any other condition that may affect the power tool's operation. If damaged, have the power tool repaired before use.** Many accidents are caused by poorly maintained power tools.
- ▶ **Keep cutting tools sharp and clean.** Properly maintained cutting tools with sharp cutting edges are less likely to bind and are easier to control.
- ▶ **Use the power tool, accessories and tool bits etc. in accordance with these instructions, taking into account the working conditions and the work to be performed.** Use of the power tool for operations different from those intended could result in a hazardous situation.
- ▶ **Keep handles and grasping surfaces dry, clean and free from oil and grease.** Slippery handles and grasping surfaces do not allow for safe handling and control of the tool in unexpected situations.

#### **Battery tool use and care**

- ▶ **Recharge only with the charger specified by the manufacturer.** A charger that is suitable for one type of battery pack may create a risk of fire when used with another battery pack.
- ▶ **Use power tools only with specifically designated battery packs.** Use of any other battery packs may create a risk of injury and fire.
- ▶ **When battery pack is not in use, keep it away from other metal objects, like paper clips, coins, keys, nails, screws or other small metal objects, that can make a connection from one terminal to another.** Shorting the battery terminals together may cause burns or a fire.
- ▶ **Under abusive conditions, liquid may be ejected from the battery; avoid contact. If contact accidentally occurs, flush with water. If liquid contacts eyes, additionally seek medical help.** Liquid ejected from the battery may cause irritation or burns.
- ▶ **Do not use a battery pack or tool that is damaged or modified.** Damaged or modified batteries may exhibit unpredictable behaviour resulting in fire, explosion or risk of injury.
- ▶ **Do not expose a battery pack or tool to fire or excessive temperature.** Exposure to fire or temperature above 130° C (265 °F) may cause explosion.
- ▶ **Follow all charging instructions and do not charge the battery pack or tool outside the temperature range specified in the instructions.** Charging improperly or at temperatures outside the specified range may damage the battery and increase the risk of fire.

#### **Service**

- ▶ **Have your power tool serviced by a qualified repair person using only identical replacement parts.** This will ensure that the safety of the power tool is maintained.
- ▶ **Never service damaged battery packs.** Service of battery packs should only be performed by the manufacturer or authorized service providers.

## **2.2 Safety instructions for all operations**

### **Safety warnings common for grinding, sanding, wire brushing, polishing or cutting-off operations:**

- ▶ **This power tool is intended to function as a grinder, sander, wire brush, polisher, hole cutter or cut-off tool. Read all safety warnings, instructions, illustrations and specifications provided with this power tool.** Failure to follow all instructions listed below may result in electric shock, fire and/or serious injury.
- ▶ **Do not convert this power tool to operate in a way which is not specifically designed and specified by the tool manufacturer.** Such a conversion may result in a loss of control and cause serious personal injury.
- ▶ **Do not use accessories which are not specifically designed and specified by the tool manufacturer.** Just because the accessory can be attached to your power tool, it does not assure safe operation.
- ▶ **The rated speed of the accessory must be at least equal to the maximum speed marked on the power tool.** Accessories running faster than their rated speed can break and fly apart.
- ▶ **The outside diameter and the thickness of your accessory must be within the capacity rating of your power tool.** Incorrectly sized accessories cannot be adequately guarded or controlled.
- ▶ **The dimensions of the accessory mounting must fit the dimensions of the mounting hardware of the power tool.** Accessories that do not match the mounting hardware of the power tool will run out of balance, vibrate excessively and may cause loss of control.
- ▶ **Do not use a damaged accessory. Before each use inspect the accessory such as abrasive wheels for chips and cracks, backing pad for cracks, tear or excess wear, wire brush for loose or cracked wires. If power tool or accessory is dropped, inspect for damage or install an undamaged**



accessory. After inspecting and installing an accessory, position yourself and bystanders away from the plane of the rotating accessory and run the power tool at maximum no-load speed for one minute. Damaged accessories will normally break apart during this test time.

- ▶ **Wear personal protective equipment. Depending on application, use face shield, safety goggles or safety glasses. As appropriate, wear dust mask, hearing protectors, gloves and workshop apron capable of stopping small abrasive or workpiece fragments.** The eye protection must be capable of stopping flying debris generated by various applications. The dust mask or respirator must be capable of filtering particles generated by the particular application. Prolonged exposure to high intensity noise may cause hearing loss.
- ▶ **Keep bystanders a safe distance away from work area. Anyone entering the work area must wear personal protective equipment.** Fragments of workpiece or of a broken accessory may fly away and cause injury beyond immediate area of operation.
- ▶ **Hold the power tool by insulated gripping surfaces only, when performing an operation where the cutting tool may contact hidden wiring.** Contact with a "live" wire will also make exposed metal parts of the power tool "live" and could give the operator an electric shock.
- ▶ **Never lay the power tool down until the accessory has come to a complete stop.** The spinning accessory may grab the surface and pull the power tool out of your control.
- ▶ **Do not run the power tool while carrying it at your side.** Accidental contact with the spinning accessory could snag your clothing, pulling the accessory into your body.
- ▶ **Regularly clean the power tool's air vents.** The motor's fan will draw the dust inside the housing and excessive accumulation of powdered metal may cause electrical hazards.
- ▶ **Do not operate the power tool near flammable materials.** Sparks could ignite these materials.
- ▶ **Do not use accessories that require liquid coolants.** Using water or other liquid coolants may result in electrocution or shock.

#### Kickback and related warnings

Kickback is a sudden reaction to a pinched or snagged rotating wheel, backing pad, brush or any other accessory. Pinching or snagging causes rapid stalling of the rotating accessory which in turn causes the uncontrolled power tool to be forced in the direction opposite of the accessory's rotation at the point of the binding.

For example, if an abrasive wheel is snagged or pinched by the workpiece, the edge of the wheel that is entering into the pinch point can dig into the surface of the material causing the wheel to climb out or kick out. The wheel may either jump toward or away from the operator, depending on direction of the wheel's movement at the point of pinching. Abrasive wheels may also break under these conditions.

Kickback is the result of power tool misuse and / or incorrect operating procedures or conditions and can be avoided by taking proper precautions as given below.

- ▶ **Maintain a firm grip with both hands on the power tool and position your body and arms to allow you to resist kickback forces. Always use auxiliary handle, if provided, for maximum control over kickback or torque reaction during start-up.** The operator can control torque reactions or kickback forces, if proper precautions are taken.
- ▶ **Never place your hand near the rotating accessory.** Accessory may kickback over your hand.
- ▶ **Do not position your body in the area where power tool will move if kickback occurs.** Kickback will propel the tool in direction opposite to the wheel's movement at the point of snagging.
- ▶ **Use special care when working corners, sharp edges etc. Avoid bouncing and snagging the accessory.** Corners, sharp edges or bouncing have a tendency to snag the rotating accessory and cause loss of control or kickback.
- ▶ **Do not attach a saw chain woodcarving blade, segmented diamond wheel with a peripheral gap greater than 10 mm or toothed saw blade.** Such blades create frequent kickback and loss of control.

#### Safety warnings specific for grinding and cutting-off operations:

- ▶ **Use only wheel types that are specified for your power tool and the specific guard designed for the selected wheel.** Wheels for which the power tool was not designed cannot be adequately guarded and are unsafe.
- ▶ **The grinding surface of centre depressed wheels must be mounted below the plane of the guard lip.** An improperly mounted wheel that projects through the plane of the guard lip cannot be adequately protected.
- ▶ **The guard must be securely attached to the power tool and positioned for maximum safety, so the least amount of wheel is exposed towards the operator.** The guard helps to protect the operator from broken wheel fragments, accidental contact with wheel and sparks that could ignite clothing.



- ▶ **Wheels must be used only for specified applications. For example: do not grind with the side of cut-off wheel.** Abrasive cut-off wheels are intended for peripheral grinding, side forces applied to these wheels may cause them to shatter.
- ▶ **Always use undamaged wheel flanges that are of correct size and shape for your selected wheel.** Proper wheel flanges support the wheel thus reducing the possibility of wheel breakage. Flanges for cut-off wheels may be different from grinding wheel flanges.
- ▶ **Do not use worn down wheels from larger power tools.** A wheel intended for larger power tool is not suitable for the higher speed of a smaller tool and may burst.
- ▶ **When using dual purpose wheels always use the correct guard for the application being performed.** Failure to use the correct guard may not provide the desired level of guarding, which could lead to serious injury.

#### **Additional safety warnings specific for cutting-off operations:**

- ▶ **Do not "jam" the cut-off wheel or apply excessive pressure. Do not attempt to make an excessive depth of cut.** Overstressing the wheel increases the loading and susceptibility to twisting or binding of the wheel in the cut and the possibility of kickback or wheel breakage.
- ▶ **Do not position your body in line with and behind the rotating wheel.** When the wheel, at the point of operation, is moving away from your body, the possible kickback may propel the spinning wheel and the power tool directly at you.
- ▶ **When the wheel is binding or when interrupting a cut for any reason, switch off the power tool and hold it motionless until the wheel comes to a complete stop. Never attempt to remove the cut-off wheel from the cut while the wheel is in motion otherwise kickback may occur.** Investigate and take corrective action to eliminate the cause of wheel binding.
- ▶ **Do not restart the cutting operation in the workpiece. Let the wheel reach full speed and carefully re-enter the cut.** The wheel may bind, walk up or kickback if the power tool is restarted in the workpiece.
- ▶ **Support panels or any oversized workpiece to minimize the risk of wheel pinching and kickback.** Large workpieces tend to sag under their own weight. Supports must be placed under the workpiece near the line of cut and near the edge of the workpiece on both sides of the wheel.
- ▶ **Use extra caution when making a "pocket cut" into existing walls or other blind areas.** The protruding wheel may cut gas or water pipes, electrical wiring or objects that can cause kickback.
- ▶ **Do not attempt to do curved cutting.** Overstressing the wheel increases the loading and susceptibility to twisting or binding of the wheel in the cut and the possibility of kickback or wheel breakage, which can lead to serious injury.

#### **Safety warnings specific for sanding operations:**

- ▶ **Use proper sized sanding disc paper. Follow manufacturers recommendations, when selecting sanding paper.** Larger sanding paper extending too far beyond the sanding pad presents a laceration hazard and may cause snagging, tearing of the disc or kickback.

#### **Safety warnings specific for polishing operations:**

- ▶ **Do not allow any loose portion of the polishing bonnet or its attachment strings to spin freely. Tuck away or trim any loose attachment strings.** Loose and spinning attachment strings can entangle your fingers or snag on the workpiece.

#### **Safety warnings specific for wire brushing operations:**

- ▶ **Be aware that wire bristles are thrown by the brush even during ordinary operation. Do not overstress the wires by applying excessive load to the brush.** The wire bristles can easily penetrate light clothing and / or skin.
- ▶ **If the use of a guard is specified for wire brushing, do not allow any interference of the wire wheel or brush with the guard.** Wire wheel or brush may expand in diameter due to work load and centrifugal forces.

## **2.3 Additional safety instructions**

### **Personal safety**

- ▶ Use the product and accessories only when they are in perfect working order.
- ▶ Never tamper with or modify the product or accessories in any way.
- ▶ Always hold the product with both hands on the grips provided. Keep the grips dry, clean and free from oil and grease.
- ▶ Respiratory protection must be worn if the product is used without a dust removal system for work that creates dust.
- ▶ Take frequent breaks and do physical exercises to improve the blood circulation in your fingers. High vibration during long periods of work can lead to disorders of the blood vessels and nervous system in the fingers, hands and wrists.



- ▶ Do not touch rotating parts. Switch the product on only after it is in position at the workpiece. Touching rotating parts, especially rotating accessory tools, can result in injury.
- ▶ Wait until the product stops completely before you lay it down.
- ▶ The product is not intended for use by debilitated persons who have received no special training. Keep the product out of reach of children.
- ▶ Dust produced by grinding, sanding, cutting and drilling can contain dangerous chemicals. Some examples are: lead or lead-based paints; brick, concrete and other masonry products, natural stone and other products containing silicates; certain types of wood, such as oak, beech and chemically treated wood; asbestos or materials that contain asbestos. Determine the exposure of the operator and bystanders by means of the hazard classification of the materials to be worked. Implement the necessary measures to restrict exposure to a safe level, for example by the use of a dust collection system or by the wearing of suitable respiratory protection. The general measures for reducing exposure include:
  - ▶ working in an area that is well ventilated,
  - ▶ avoidance of prolonged contact with dust,
  - ▶ directing dust away from the face and body,
  - ▶ wearing protective clothing and washing exposed areas of the skin with water and soap.
- ▶ The user and the other persons in the vicinity must wear eye protection, a hard hat and ear protection while the product is in use.
- ▶ Wear protective gloves when changing the accessory tool. Touching the accessory tool can result in cuts and burns.
- ▶ Risk of injury by falling tools and/or accessories. Before starting work, check that the battery and installed accessories are secure.
- ▶ Keep the air vents clear at all times. Risk of burn injuries due to blocked air vents!
- ▶ Switch the product on only after you have brought it to the working position.
- ▶ Wait until the product stops completely before you lay it down.
- ▶ If the product detects operation beyond its limits or a discharged battery, there is a possibility that the tool will no longer be braked by the motor.
- ▶ Do not attach a belt hook to this product.

#### **Power tool use and care**

- ▶ Grinding discs must be stored and handled carefully in accordance with the manufacturer's instructions.
- ▶ Never use the product without the guard.
- ▶ Secure the workpiece. Use clamps or a bench vise to hold the workpiece in position. The workpiece is thus held more securely than by hand and both hands remain free to operate the product.
- ▶ Do not use cut-off wheels for grinding.
- ▶ Tighten the accessory tool and flange securely. If the accessory tool and flange are not tightened securely, the accessory tool may work loose from the arbor due to the braking effect of the motor after switching off.

#### **Electrical safety**

- ▶ Before beginning work, check the working area for concealed electric cables or gas and water pipes. External metal parts of the product could give you an electric shock or cause an explosion if you accidentally damage an electric cable or a gas or water pipe.
- ▶ Dirty or dusty products that have been used frequently for work on conductive materials should be checked at regular intervals by **Hilti Service**. Dust (especially dust from conductive materials) or dampness adhering to the surface of the power tool may, under unfavorable conditions, lead to electric shock.

#### **Workplace**

- ▶ Apply appropriate safety measures at the opposite side of the workpiece in work that involves breaking through. Pieces of debris could drop out and / or fall down and injure other persons.
- ▶ Slits cut in load-bearing walls of buildings or other structures may influence the statics of the structure, especially when steel reinforcing bars or load-bearing components are cut through. Consult the responsible structural engineer, architect or person in charge of the building project before beginning the work.

#### **Additional notes on the use of the guards**

To avoid the risks below always use the correct guard, see the section headed: "Suitability of wheels for the equipment used".

- ▶ If the Standard guard with front cover is used for surface grinding, the guard can touch the workpiece and thus lead to loss of control.



- ▶ If a wire brush of a thickness exceeding the maximum permissible thickness is used, the wires can snag on the guard and break.
- ▶ If the standard guard is used for cutting off metal with an abrasive cut-off wheel, there is an increased risk of exposure to sparks and particles and to wheel fragments if the wheel breaks.
- ▶ If the standard guard is used with or without front cover for cutting or for grinding concrete or masonry, there is a higher dust load and an increased risk of losing control of the product, which can lead to kickbacks.

## 2.4 Careful handling and use of batteries

- ▶ **Comply with the following safety instructions for the safe handling and use of Li-ion batteries.** Failure to comply can lead to skin irritation, severe corrosive injury, chemical burns, fire and/or explosion.
- ▶ Use only batteries that are in perfect working order.
- ▶ Treat batteries with care in order to avoid damage and prevent leakage of fluids that are extremely harmful to health!
- ▶ Do not under any circumstances modify or tamper with batteries!
- ▶ Do not disassemble, crush or incinerate batteries and do not subject them to temperatures over 80 °C (176 °F).
- ▶ Never use or charge a battery that has suffered an impact or been damaged in any other way. Check your batteries regularly for signs of damage.
- ▶ Never use recycled or repaired batteries.
- ▶ Never use the battery or a battery-operated power tool as a striking tool.
- ▶ Never expose batteries to the direct rays of the sun, elevated temperature, sparking, or open flame. This can lead to explosions.
- ▶ Do not touch the battery poles with your fingers, tools, jewelry, or other electrically conductive objects. This can damage the battery and also cause material damage and personal injury.
- ▶ Keep batteries away from rain, moisture and liquids. Penetrating moisture can cause short circuits, electric shock, burns, fire and explosions.
- ▶ Use only chargers and power tools approved for the specific battery type. Read and follow the relevant operating instructions.
- ▶ Do not use or store the battery in explosive environments.
- ▶ If the battery is too hot to touch, it may be defective. Put the battery in a place where it is clearly visible and where there is no risk of fire, at an adequate distance from flammable materials. Allow the battery to cool down. If it is still too hot to touch after an hour, the battery is faulty. Consult **Hilti** Service or read the document entitled "Instructions on safety and use for **Hilti** Li-ion batteries".



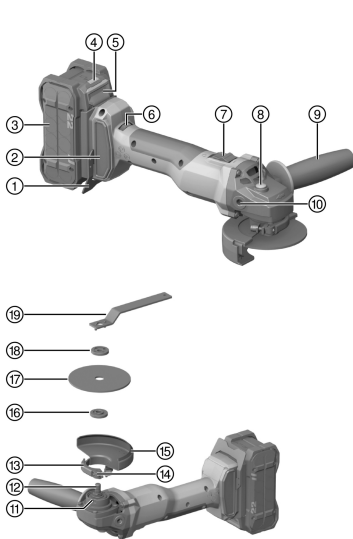
Observe the special guidelines applicable to the transport, storage and use of lithium-ion batteries.  
→ page 17

Read the instructions on safety and use of **Hilti** Li-ion batteries that you can access by scanning the QR code at the end of these operating instructions.



### 3 Description

#### 3.1 Product overview



- ① Spark guard
- ② Dust filter
- ③ Battery
- ④ Battery status indicator
- ⑤ Battery release button
- ⑥ Speed regulation
- ⑦ On/off switch
- ⑧ Spindle lock button
- ⑨ Side handle
- ⑩ Threaded bushing for the grip
- ⑪ Keyed locating lug
- ⑫ Spindle
- ⑬ Clamping lever
- ⑭ Adjusting screw
- ⑮ Standard guard
- ⑯ Clamping flange
- ⑰ Abrasive cut-off wheel / abrasive grinding wheel
- ⑱ Clamping nut
- ⑲ Pin wrench

#### 3.2 Intended use

The product described is a hand-held cordless angle grinder. It is designed for cutting and grinding metal and mineral materials, brushing and sandpapering, all without the use of water. It can be used only for dry grinding / cutting.

- For this product, use only **Hilti** Nuron lithium-ion batteries of the B 22 series. For optimum performance, **Hilti** recommends the batteries stated in the table at the end of these operating instructions for this product.
- For these batteries, use only **Hilti** chargers of the type series stated in the table at the end of these operating instructions.

#### 3.3 Items supplied

Angle grinder, side handle, standard guard, front cover, clamping flange, clamping nut, pin wrench, dust filter, operating instructions.

Other system products approved for use with this product can be found at your local **Hilti Store** or at: [www.hilti.group](http://www.hilti.group)

#### 3.4 ATC

The product is equipped with the ATC (Active Torque Control) quick-acting electronic cut-out.

If the accessory tool sticks or stalls, the product will suddenly pivot about its own axis in the opposite direction. ATC detects this sudden pivoting movement of the product and switches the product off immediately.



For ATC to function correctly, the product must be free to pivot.  
After an ATC cut-out, switch the product off and then on again.

#### 3.5 Motor protection function

The motor protection function monitors current consumption and motor temperature and prevents the product from overheating.

If the motor is overloaded through application of excessive working pressure, the product's performance drops noticeably or it might stall completely.



**i** If the power tool stalls or slows significantly due to overloading, release the pressure applied to the product and then allow it to run under no load for approx. 30 seconds.

### 3.6 Integrated brake

The integrated brake reduces the time it takes until the accessory tool stops rotating after switching off.

**i** This functions correctly only as long as the product is supplied with electric current.  
Braking time varies, depending on the selected accessory tool.

### 3.7 Front cover 2

Use the standard guard with front cover for the applications listed below:

- Grinding with straight grinding discs
- Cutting with cut-off wheels

### 3.8 DG-EX 100/4" dust hood for grinding (accessory) 2

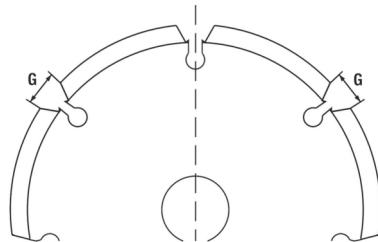
The grinding system is suitable only for occasional use with diamond cup wheels for grinding mineral materials.

Use of this guard for working on metal is not permissible.

### 3.9 Dimensions and format of suitable diamond slitting wheels

Diamond slitting wheels must meet the following requirements in terms of dimensions and format.

Technical data	
Slot width between segments (G)	≤ 10 mm
Cutting angle	Negative



### 3.10 Status indicators of the Li-ion battery

Hilti Nuron Li-ion batteries can indicate state of charge, fault messages and the battery's state of health.

#### 3.10.1 Indicators for state of charge and fault messages

#### **⚠ WARNING**

#### **Risk of injury by a falling battery!**

- ▶ If the release button is pressed with a battery inserted in the product, subsequently check that the battery is correctly re-engaged and secure.

Short-press the release button of the battery to get whichever of the following status indications is applicable at the time.

State of charge and, if applicable, faults are indicated constantly as long as the connected product is switched on.

Status	Meaning
Four (4) LEDs show constantly green	State of charge: 100 % to 71 %
Three (3) LEDs show constantly green	State of charge: 70 % to 51 %
Two (2) LEDs show constantly green	State of charge: 50 % to 26 %
One (1) LED shows constantly green	State of charge: 25 % to 10 %
One (1) LED slow-flashes green	State of charge: < 10 %





Status	Meaning
One (1) LED quick-flashes green	The Li-ion battery is completely discharged. Recharge the battery. If the LED again starts quick-flashing after the battery has been charged, consult <b>Hilti Service</b> .
One (1) LED quick-flashes yellow	The Li-ion battery or the product in which it is inserted is overloaded, too hot or too cold, or experiencing some other fault. Bring the product and the battery to the recommended working temperature and do not overload the product when it is in use. If the message persists, consult <b>Hilti Service</b> .
One (1) LED shows yellow	The Li-ion battery and the product in which it is inserted are not compatible. Consult <b>Hilti Service</b> .
One (1) LED quick-flashes red	The Li-ion battery is locked and cannot be used. Consult <b>Hilti Service</b> .

### 3.10.2 Indicators showing the battery's state of health

To check the battery's state of health, press the release button and hold it down for longer than three seconds. The system does not detect a potential malfunction of the battery due to misuse, for example battery dropped or pierced, external heat damage, etc.

Status	Meaning
All LEDs show in sequence, followed by one (1) LED showing constantly green.	The battery can remain in use.
All LEDs show in sequence, followed by one (1) LED quick-flashing yellow.	The check to ascertain the battery's state of health did not complete. Repeat the procedure, or consult <b>Hilti Service</b> .
All LEDs show in sequence, followed by one (1) LED showing constantly red.	If a connected product can still be used, the remaining battery capacity is below 50 %. If a connected product can no longer be used, the battery has reached the end of its useful life and has to be replaced. Consult <b>Hilti Service</b> .

## 4 Consumables

Use only synthetic-resin-bonded, fiber-reinforced wheels approved for a rotational speed of at least 11,500 rpm and a peripheral speed of 80 m/s.

**ATTENTION! When cutting or slitting with abrasive cut-off wheels always use the standard guard with the additional front cover, or a fully enclosing dust hood.**

### Wheels

Type	Application	Designation	Material	max. thickness	max. diameter
Abrasive cut-off wheel	Cutting, slitting	AC-D	Metal	2.5 mm	100 mm
Diamond cut-off wheel	Cutting, slitting	DC-TP, DC-D (SPX, SP, P)	Mineral	3 mm	100 mm
Abrasive grinding wheel	Rough grinding	AG-D, AF-D, AN-D	Metal	6.4 mm	100 mm
Diamond grinding wheel	Rough grinding	DG-CW (SPX, SP, P)	Mineral	—	100 mm
Wire brush	Wire brushes	3CS, 4CS, 3SS, 4SS	Metal	— 27 mm	75 mm 100 mm
Abrasive resin-fiber wheel	Rough grinding	AP-D	Metal	—	100 mm



**Suitability of wheels for the equipment used**

Item	Equipment	AC-D	AP-D	AG-D, AF-D, AN-D	DG-CW (SPX, SP, P)	DC-TP, DC-D (SPX, SP, P)	3CS, 4CS, 3SS, 4SS, DD-M14
A	Guard (standard)	✓	✓	✓	✓	✓	✓
B	Front cover (in combination with A)	✓	—	—	—	✓	—
C	Dust hood (grinding) DG-EX 100/4"	—	—	—	✓	—	—
D	Side handle (standard)	✓	✓	✓	✓	✓	✓
E	Clamping nut (standard)	✓	—	✓	✓	✓	—
F	Clamping flange (standard)	✓	—	✓	✓	✓	—
G	Clamping nut (abrasive resin-fiber wheel)	—	✓	—	—	—	—
H	Support plate (abrasive resin-fiber wheel)	—	✓	—	—	—	—

**5 Technical data**

<b>AG 4S-22-100</b>	
<b>Rated voltage</b>	21.6 V
<b>Rated speed</b>	8,500 /min
<b>Maximum wheel diameter</b>	104.9 mm
<b>Weight in accordance with EPTA procedure 01, without battery</b>	1.9 kg
<b>Drive spindle thread</b>	10
<b>Spindle length</b>	16 mm
<b>Ambient temperature for operation</b>	-17 °C ... 60 °C (1 °F ... 140 °F)
<b>Storage temperature</b>	-20 °C ... 70 °C (-4 °F ... 158 °F)

**5.1 Battery**

<b>Battery operating voltage</b>	21.6 V
<b>Weight, battery</b>	See the end of these operating instructions
<b>Ambient temperature for operation</b>	-17 °C ... 60 °C (1 °F ... 140 °F)
<b>Storage temperature</b>	-20 °C ... 40 °C (-4 °F ... 104 °F)
<b>Battery charging starting temperature</b>	-10 °C ... 45 °C (14 °F ... 113 °F)



## 5.2 Noise information and vibration values in accordance with 62841-2-3:2021

The sound pressure and vibration values given in these instructions have been measured in accordance with a standardized test and may be used to compare one power tool with another. They may be used for a preliminary assessment of exposure.

The data given represent the main applications of the power tool. However, if the power tool is used for different applications, with different accessory tools, or is poorly maintained, the data can vary. This can significantly increase exposure over the total working period.

An accurate estimation of exposure should also take into account the times when the power tool is switched off, or when it is running but not actually being used for a job. This can significantly reduce exposure over the total working period.

Identify additional safety measures to protect the operator from the effects of noise and/or vibration, for example: Maintaining the power tool and accessory tools, keeping the hands warm, organization of work patterns.

Grinding thin sheet metal or other large-area structures prone to vibration can lead to increased noise emissions higher than the stated noise emission values. You can reduce the noise emissions produced in this way by adopting noise-reducing measures such as the application of heavy, flexible insulating mats. Always take these increased values into consideration as well in the hazard assessment of noise exposure and in the choice of suitable hearing protection.

### Noise information

	AG 4S-22-100
Emission sound pressure level ( $L_{pA}$ )	84 dB(A)
Uncertainty for the sound pressure level ( $K_{pA}$ )	3 dB(A)
Sound power level ( $L_{WA}$ )	92 dB(A)
Uncertainty for the sound power level ( $K_{WA}$ )	3 dB(A)

### Vibration information

Other applications, such as cutting, may produce vibration values that deviate from the given values.

		AG 4S-22-100
Surface grinding ( $a_{h,AG}$ )	B 22-55	4.4 m/s <sup>2</sup>
	B 22-255	3.7 m/s <sup>2</sup>
Uncertainty (K)		1.5 m/s <sup>2</sup>

## 6 Preparations at the workplace

### WARNING

#### Risk of injury by inadvertent starting!

- ▶ Before inserting the battery, make sure that the product is switched off.
- ▶ Remove the battery before making any adjustments to the power tool or before changing accessories.

Observe the safety instructions and warnings in this documentation and on the product.

### 6.1 Charging the battery

1. Before charging the battery, read the operating instructions for the charger.
2. Make sure that the contacts on the battery and the contacts on the charger are clean and dry.
3. Use an approved charger to charge the battery. → page 9

### 6.2 Inserting the battery

### WARNING

#### Risk of injury by short circuit or falling battery!

- ▶ Before inserting the battery, make sure that the contacts on the battery and the contacts on the product are free of foreign matter.
- ▶ Make sure that the battery always engages correctly.

1. Charge the battery fully before using it for the first time.
2. Push the battery into the product until it engages with an audible click.




3. Check that the battery is seated securely.

### 6.3 Removing the battery

1. Press the battery release button.
2. Remove the battery from the product.

### 6.4 Installing the Hilti retaining strap (optional) 4

 When working with the product, you must comply with national regulations for working at heights. Comply with the operating instructions of the retaining strap.


1. Position the two tabs of the retaining strap accurately on the spark guard.
2. Secure the retaining strap with the corresponding screws through the holes provided in the spark guard.
3. Insert the battery. → page 13

### 6.5 Fall arrest

#### **WARNING**


**Risk of injury** by falling tool and/or accessory!

- ▶ Use only the **Hilti** tool tether recommended for your product.
- ▶ Prior to each use, always check the attachment point of the tool tether for possible damage.

 Comply with the national regulations for working at heights.

As drop arrester for this product, use only a combination of the **Hilti** retaining strap #2293133 and the **Hilti** tool tether #2261970.

- ▶ Secure the retaining strap to the installation openings for accessories. Check that it holds securely.
- ▶ Secure one carabiner of the tool tether to the retaining strap and secure the second carabiner to a load-bearing structure. Check that both carabiners hold securely.

 Comply with the operating instructions of the **Hilti** retaining strap and those of the **Hilti** tool tether.

### 6.6 Fitting the side handle

- ▶ Screw the side handle into one of the threaded bushings provided.


### 6.7 Fitting or removing the guard

#### **CAUTION**

**Risk of injury.** The accessory tool may be hot or have sharp edges.

- ▶ Wear protective gloves when fitting, removing or adjusting the accessory tool or other parts and when troubleshooting.
- ▶ Observe the instructions for fitting the applicable guard.

#### 6.7.1 Installing standard guard 5

 The guard is keyed to ensure that only guards of a type suitable for use with the product can be installed. The keyed locating lug also prevents the guard from coming into contact with the tool.

1. Open the clamping lever.
2. Fit the guard on to the arbor collar so that the keyed locating lug engages in the recess provided.
3. Turn the guard to the required position.



- Secure the guard by closing the clamping lever.

The guard is preset to the correct clamping diameter by the adjusting screw. If tension is too low when the guard is fitted, the adjusting screw can be tightened slightly to increase the clamping force.

### 6.7.2 Adjusting standard guard

- Open the clamping lever.
- Turn the guard to the required position.
- Secure the guard by closing the clamping lever.

### 6.7.3 Removing standard guard

- Open the clamping lever.
- Rotate the guard until the keyed locating lug is aligned with the keyed locating groove and then remove the guard.

## 6.8 Fitting or removing the front cover

The front cover must be in position on the standard guard.

- Position the front cover, with the closed side facing up, on the standard guard.
  - The lock must engage with an audible click.
- To remove, open the lock of the front cover.
- Remove the front cover from the standard guard.

## 6.9 Fitting and removing accessory tools

### CAUTION

**Risk of injury.** The accessory tool may be hot.

- Wear protective gloves when changing the accessory tool.

Diamond wheels must be replaced when their cutting or grinding performance drops significantly. This generally is the case when the segments reach a height of less than 2 mm. Other wheels must be replaced when their cutting performance drops significantly or other parts of the angle grinder (not the wheel) come into contact with the material you are working on. Abrasive wheels must be replaced when their expiry date has been reached.

### 6.9.1 Installing accessory tool

#### WARNING

**Risk of injury.** The accessory tool may work loose due to the braking effect of the motor.

- Wait until the accessory tool has come to a standstill before touching or gripping the accessory tool or the clamping nut.
- Secure the accessory tool by tightening the clamping flange and clamping nut firmly so that no parts work loose from the spindle due to the braking effect of the motor.

- Fit the clamping flange on to the drive spindle.
- Fit the accessory tool.
- Screw on the clamping nut corresponding to the type of accessory tool fitted.
- Press the spindle lock button and hold it in this position.
- Use the pin wrench to tighten the clamping nut securely, then release the spindle lock button and remove the wrench.

### 6.9.2 Removing the accessory tool

#### WARNING

**Risk of breakage and irreparable damage.** If the spindle lockbutton is pressed while the spindle is rotating, the accessory tool can detach from the power tool.

- Press the spindle lockbutton only when the spindle has stopped rotating.



1. Press the spindle lock button and hold it in this position.
2. Release the clamping nut by gripping it with the wrench and turning the nut counterclockwise.
3. Release the spindle lock button and remove the accessory tool.

### 6.9.3 Fitting the wire brush 9

1. Fit the side handle. → page 14
2. Install the standard guard.
3. Place the wire brush in position and tighten it hand-tight.
4. Press the spindle lock button and hold it in this position.
5. Tighten the wire brush with a suitable open-end wrench.
6. Then release the spindle lock button and remove the open-end wrench.

### 6.9.4 Fitting the abrasive resin-fiber wheel 10

1. Fit the side handle. → page 14
2. Install the standard guard.
3. Fit the support plate and the abrasive resin-fiber wheel, screw on the clamping nut and tighten it securely.
4. Press the spindle lock button and hold it in this position.
5. Use the pin wrench to tighten the clamping nut.
6. Release the spindle lock button and remove the pin wrench.

## 7 Operation

---

### 7.1 Switching on

1. Press the rear section of the on/off switch.
2. Slide the on/off switch forward.
  - ▶ The motor runs.
3. Lock the on/off switch.

### 7.2 Grinding

#### WARNING

**Risk of injury.** The accessory tool may suddenly stick or stall.

- ▶ Use the product with the side handle fitted and always hold the product securely with both hands.
- 

Do not allow the accessory tool to jam and avoid excessive pressure on the product.

### 7.3 Cutting

- ▶ When cutting, keep the rate of advance moderate and do not tilt the product or the cut-off wheel to either side (working position is at approx. 90° to the cutting plane).
- 



For best results when cutting profiles and small rectangular tube, start cutting with the cut-off wheel at the smallest cross-section.

---

### 7.4 Rough grinding

#### WARNING

**Risk of injury.** The abrasive cut-off wheel could shatter and flying fragments may cause injury.

- ▶ Never use abrasive cut-off wheels for grinding.
- 
- ▶ Move the product to and fro while maintaining a 5° to 30° angle of attack and applying moderate pressure.
    - ▶ This will avoid overheating and discoloration of the workpiece and help ensure an even surface finish.

### 7.5 Switching off

- ▶ Press the rear section of the on/off switch.
  - ▶ The on/off switch jumps into the off position and the motor stops.



## 8 Care and maintenance

### WARNING

#### Risk of injury with battery inserted !

- ▶ Always remove the battery before carrying out care and maintenance tasks!

### DANGER

**Electric shock due to breakdown of protective insulation.** When working on metal under extreme conditions, conductive dust (e.g. metal, carbon fiber) may accumulate inside the power tool, thereby adversely affecting the protective insulation.

- ▶ Use a stationary dust extraction system when working under extreme conditions.
- ▶ Clean the air vents frequently.

#### Care of the product

- Carefully remove stubborn dirt.
- Use only a slightly damp cloth to clean the housing. Do not use cleaning agents containing silicone as these can attack the plastic parts.
- Use a dry, clean cloth to clean the contacts of the product.

#### Care of the Li-ion batteries

- Never use a battery with clogged air vents. Clean the air vents carefully using a dry, soft brush.
- Avoid unnecessary exposure of the battery to dust and dirt. Never expose the battery to high levels of moisture (e.g. by being dipped in water or left in the rain).  
If a battery has been soaked by moisture, treat it as a damaged battery. Isolate it in a non-flammable container and consult **Hilti Service**.
- Keep the battery free of extraneous oil and grease. Do not permit dust or dirt to accumulate unnecessarily on the battery. Clean the battery with a dry, soft brush or a clean, dry cloth. Do not use cleaning agents containing silicone as these can attack the plastic parts.  
Do not touch the contacts of the battery and do not remove the factory-applied grease from the contacts.
- Use only a slightly damp cloth to clean the housing. Do not use cleaning agents containing silicone as these can attack the plastic parts.

#### Maintenance

- Check all visible parts and controls for signs of damage at regular intervals and make sure that they all function correctly.
- Do not use the product if signs of damage are found or if parts malfunction. Immediately have the product repaired by **Hilti Service**.
- After cleaning and maintenance, install all guards and protective devices and check that they are in full working order.



To help ensure safe and reliable operation, use only genuine Hilti spare parts and consumables. Spare parts, consumables and accessories approved by **Hilti** for use with your product can be found at your **Hilti Store** or online at: [www.hilti.group](http://www.hilti.group)

## 9 Transport and storage of cordless tools and batteries

#### Transport

### CAUTION

#### Accidental starting during transport !

- ▶ Always transport your products with the batteries removed!
- ▶ Remove the battery/batteries.
- ▶ Never transport batteries loose and unprotected. During transport, batteries should be protected from excessive shock and vibration and isolated from any conductive materials or other batteries that may come in contact with the terminals and cause a short circuit. **Comply with the locally applicable regulations for transporting batteries.**
- ▶ Do not send batteries through the mail. Consult your shipper for instructions on how to ship undamaged batteries.
- ▶ Prior to each use and before and after prolonged transport, check the product and the batteries for damage.



## Storage

### WARNING

#### Accidental damage caused by defective or leaking batteries !

- ▶ Always store your products with the batteries removed!
- 
- ▶ Store the product and the batteries in a cool and dry place. Comply with the temperature limits stated in the technical data.
  - ▶ Do not store batteries on the charger. Always remove the battery from the charger when the charging operation has completed.
  - ▶ Never leave batteries in direct sunlight, on sources of heat, or behind glass.
  - ▶ Store the product and batteries where they cannot be accessed by children or unauthorized persons.
  - ▶ Prior to each use and before and after prolonged storage, check the product and the batteries for damage.

## 10 Troubleshooting

If a problem occurs, always observe the charge-status and fault indicator of the battery. See the section headed **Status indicators of the Li-ion battery**.

If the trouble you are experiencing is not listed in this table or you are unable to rectify the problem by yourself, contact **Hilti Service**.

Trouble or fault	Possible cause	Action to be taken
The product can't be switched on.	Battery is discharged.	▶ Change the battery and charge the empty battery.
The battery runs down more quickly than usual.	Very low ambient temperature.	▶ Allow the battery to warm up slowly to room temperature.
The battery doesn't engage with an audible click.	The retaining lug on the battery is dirty.	▶ Clean the retaining lug and re-insert the battery.
The angle grinder or battery gets very hot.	Electrical fault	▶ Switch the product off immediately, remove the battery, keep it under observation, allow it to cool down and contact <b>Hilti Service</b> .
	Clogged air vents	▶ Regularly clean the air vents.
The motor has no braking effect.	Battery is discharged.	▶ Change the battery and charge the empty battery.
	Product is momentarily overloaded.	▶ Switch the product off and then on again.

## 11 Disposal

### WARNING

**Risk of injury due to incorrect disposal!** Health hazards due to escaping gases or liquids.

- ▶ DO NOT send batteries through the mail!
- ▶ Cover the terminals with a non-conductive material (such as electrical tape) to prevent short circuiting.
- ▶ Dispose of your battery out of the reach of children.
- ▶ Dispose of the battery at your **Hilti Store**, or consult your local governmental garbage disposal or public health and safety resources for disposal instructions.

Most of the materials from which **Hilti** products are manufactured can be recycled. The materials must be correctly separated before they can be recycled. In many countries, your old tools, machines or appliances can be returned to **Hilti** for recycling. Ask **Hilti Service** or your Hilti sales representative for further information.



- ▶ Do not dispose of power tools, electronic equipment or batteries as household waste!





## 12 Manufacturer's warranty

- ▶ Please contact your local Hilti representative if you have questions about the warranty conditions.

## 13 Further information

For more information on operation, technology, environment and recycling, follow this link: [qr.hilti.com/manual/?id=2252233&id=2252235&id=2251374](http://qr.hilti.com/manual/?id=2252233&id=2252235&id=2251374)

This link is also to be found at the end of the documentation, in the form of a QR code.

# オリジナル取扱説明書

## 1 取扱説明書について

### 1.1 本取扱説明書について

- **警告事項！** 本製品をご使用になる前に、同梱の取扱説明書と指示事項、安全上の注意、警告表示、図および製品仕様を読んで、その内容を理解を理解してください。特に、すべての指示事項、安全上の注意、警告表示、図、製品仕様、構成部品と機能に精通しているようにしてください。これを怠ると、感電、火災、および/または重傷事故の危険があります。後日確認できるように、取扱説明書とすべての指示事項、安全上の注意、警告表示を保管しておいてください。
- **HILTI** 製品はプロ仕様で製作されており、その使用、保守、修理を行うのは、認定を受けトレーニングされた人のみに限ります。これらの人は、遭遇し得る危険に関する情報を入手していなければなりません。製品およびアクセサリーの使用法を知らない者による誤使用、あるいは規定外の使用は危険です。
- 製品に同梱されている取扱説明書は、印刷の時点で最新の技術状況を反映しています。オンラインのHilti製品ページで常に最新バージョンをご確認ください。これについては、本取扱説明書のリンク、またはQRコード（📄の記号）に従ってください。
- 他の人が使用する場合には、本製品とともにこの取扱説明書を一緒にお渡しください。

### 1.2 記号の説明

#### 1.2.1 警告表示

警告表示は製品の取扱いにおける危険について警告するものです。以下の注意喚起語が使用されています：



**危険！**

- ▶ この表記は、重傷あるいは死亡事故につながる危険性がある場合に注意を促すために使われます。



**警告！**

- ▶ この表記は、重傷あるいは死亡事故につながる可能性がある場合に注意を促すために使われます。



**注意！**

- ▶ この表記は、身体の負傷あるいは物財の損傷が発生する可能性がある場合に使われます。

#### 1.2.2 取扱説明書の記号

この取扱説明書では、以下の記号が使用されています：

	取扱説明書に注意してください
	本製品を効率良く取り扱うための注意事項や役に立つ情報
	リサイクル可能な部品の取扱い



	電動工具およびバッテリーを一般ゴミとして廃棄してはなりません
	Hilti Li-Ion バッテリー
	Hilti 充電器

### 1.2.3 図中の記号

図中では以下の記号が使用されています：

	この数字は本取扱説明書冒頭にある該当図を示しています。
3	付番は図中の作業手順の順序に対応していて、本文の作業手順とは一致しない場合があります。
	概要図には項目番号が付されていて、製品概要セクションの凡例の番号に対応しています。
	この記号は、製品の取扱いの際に特に注意が必要なことを示しています。

## 1.3 製品により異なる記号

### 1.3.1 製品に表示されている記号

製品には以下の記号が使用されている場合があります：

	アイシールドを着用してください
$n_0$	無負荷回転数
/min	毎分回転数
RPM	毎分回転数
$\varnothing$	直径
— —	直流
	切断作業は、標準カバーなしでは行わないでください。
	常に両手で作業してください。
	本製品は、iOS および Android プラットフォームと互換性のある NFC テクノロジーをサポートしています。
Li-Ion	Li-Ionen バッテリー
	バッテリーは決して打撃工具として使用しないでください。
	バッテリーは落下させないでください。ぶついたり、あるいはその他の理由で損傷しているバッテリーは使用しないでください。

## 1.4 製品情報

製品はプロ仕様で製作されており、その使用、保守、修理を行うのは、認定を受けトレーニングされた人のみに限ります。これらの人は、遭遇し得る危険に関する情報を入手していなければなりません。製品およびアクセサリの使用法を知らない者による誤使用、あるいは規定外の使用は危険です。機種名および製造番号は銘板に表示されています。



- ▶ 製造番号を以下の表に書き写しておいてください。ヒルティ代理店やサービスセンターへお問い合わせの際には、製品データが必要になります。

#### 製品データ

バッテリー式アングルグラインダー	AG 4S-22-100
製品世代	02
製造番号	

## 1.5 適合宣言

製造者は、単独の責任において本書で説明している製品が有効な法規と有効な標準規格に適合していることを宣言します。適合宣言書の複写は本書の末尾にあります。

技術資料は本書の後続の頁に記載されています：

Hilti Entwicklungsgesellschaft mbH | Zulassung Geräte | Hiltistraße 6 | 86916 Kaufering, DE

## 2 安全

### 2.1 電動工具の一般安全注意事項

- ▲ **警告事項** 本電動工具に付属のすべての安全上の注意、指示事項、図、および製品仕様をお読みください。以下の指示を守らないと、感電、火災および / または重傷事故の危険があります。安全上の注意および指示事項が書かれた説明書はすべて大切に保管してください。安全上の注意で使用する用語「電動工具」とは、お手持ちの電動ツール（電源コード使用）またはバッテリーツール（コードレス）を指します。

#### 作業環境に関する安全

- ▶ 作業場はきれいに保ち、十分に明るくしてください。ちらかった暗い場所での作業は事故の原因となります。
- ▶ 爆発の危険性のある環境（可燃性液体、ガスおよび粉じんのある場所）では電動工具を使用しないでください。電動工具から火花が飛散し、粉じんや揮発性ガスに引火する恐れがあります。
- ▶ 電動工具の使用時、子供や無関係者を作業場へ近づけないでください。作業中に気がそらされると、本体のコントロールを失ってしまう恐れがあります。

#### 電気に関する安全注意事項

- ▶ 電動工具の接続プラグは電源コンセントにきちんと適合しなければなりません。プラグは絶対に変更しないでください。保護接地した電動工具と一緒にアダプタープラグを使用しないでください。オリジナルのプラグと適切なコンセントを使用することにより、感電の危険を小さくすることができます。
- ▶ バイブ、ラジエーター、電子レンジ、冷蔵庫などのアースされた面に体の一部が触れないようにしてください。体が触れると感電の危険が大きくなります。
- ▶ 電動工具を雨や湿気から保護してください。電動工具に水が浸入すると、感電の危険が大きくなります。
- ▶ 電動工具を持ち運んだり、吊り下げたり、コンセントからプラグを抜いたりするときは、必ず本体を持ち、電源コードを持って引張り張ったりしないでください。電源コードを火気、オイル、鋭利な刃物、可動部等に触れる場所に置かないでください。電源コードが損傷したり絡まったりしていると、感電の危険が大きくなります。
- ▶ 屋外工事の場合には、必ず屋外専用の延長コードを使用してください。屋外専用の延長コードを使用すると、感電の危険が小さくなります。
- ▶ 湿った場所で電動工具を動作させる必要がある場合は、漏電遮断器を使用してください。漏電遮断器を使用すると、感電の危険が小さくなります。

#### 作業に関する安全

- ▶ 電動工具を使用の際には、油断せずに十分注意し、常識をもった作業をおこなってください。疲れている場合、薬物、医薬品服用およびアルコール飲用による影響下にある場合には電動工具を使用しないでください。電動工具使用中の一瞬の不注意が重傷の原因となることがあります。
- ▶ 個人用保護具および保護メガネを常に着用してください。負傷の危険を低減するために、電動工具の使用状況に応じた粉じんマスク、耐滑性の安全靴、ヘルメット、耳栓などの個人用保護具を着用してください。
- ▶ 電動工具の意図しない始動を防止して下さい。電動工具を電源および / またはバッテリーに接続する前や本体を持ち上げたり運んだりする前に、本体がオフになっていることを必ず確認してください。オン / オフスイッチが入っている状態で電動工具のスイッチに指を掛けたまま運んだり、電源に接続したりすると、事故の原因となる恐れがあります。
- ▶ 電動工具のスイッチを入れる前に、必ず調節キーやレンチを取り外してください。調節キーやレンチが本体の回転部に装着されたままでは、けがの原因となる恐れがあります。



- ▶ 作業中は不安定な姿勢をとらないでください。足元を安定させ、常にバランスを保つようにしてください。これにより、万一電動工具が異常状況に陥った場合にも、適切な対応が可能となります。
- ▶ 作業に適した作業着を着用してください。だぶだぶの衣服や装身具を着用しないでください。髪、衣服、手袋を本体の可動部に近づけないでください。だぶだぶの衣服、装身具、長い髪が可動部に巻き込まれる恐れがあります。
- ▶ 吸じんシステムの接続が可能な場合には、これらのシステムが適切に接続、使用されていることを確認してください。吸じんシステムを利用することにより、粉じん公害を防げます。
- ▶ 電動工具の取扱いに熟練している場合にも、正しい安全対策を遵守し、電動工具に関する安全規則を無視しないでください。不注意な取扱いは、ほんの一瞬で重傷事故を招くことがあります。

#### 電動工具の使用および取扱い

- ▶ 無理のある使用を避けてください。作業用途に適した電動工具を使用してください。適切な電動工具の使用により、能率よく、スムーズかつ安全な作業が行えます。
- ▶ スイッチが故障している場合には、電動工具を使用しないでください。スイッチで始動および停止操作のできない電動工具は危険ですので、修理が必要です。
- ▶ 本体の設定やアクセサリの交換を行う前や本体を保管する前には電源プラグをコンセントから抜き、および/または脱着式のバッテリーを取り外してください。この安全処置により、電動工具の意図しない始動を防止することができます。
- ▶ 電動工具をご使用にならない場合には、子供の手の届かない場所に保管してください。電動工具に関する知識のない方、本説明書をお読みでない方による本体のご使用は避けてください。未経験者による電動工具の使用は危険です。
- ▶ 電動工具とアクセサリは慎重に手入れしてください。可動部分が引っ掛かりなく正常に作動しているか、電動工具の運転に影響を及ぼす各部分が破損・損傷していないかを確認してください。電動工具をご使用になる前に、損傷部分の修理を依頼してください。事故の多くは保守管理の不十分な電動工具の使用が原因となっています。
- ▶ 先端工具は鋭利で汚れのない状態を保ってください。お手入れのゆきとどいた先端工具を使用すると、作業が簡単かつ、スムーズになります。
- ▶ 電動工具、アクセサリ、先端工具などは、それらの説明書に記載されている指示に従って使用してください。その際は、作業環境および用途についてもご注意ください。指定された用途以外に電動工具を使用すると危険な状況をまねく恐れがあります。
- ▶ グリップとグリップ面は乾燥した清潔な状態に保ち、オイルやグリスの付着がないようにしてください。グリップやグリップ面が滑りやすい状態になっていると、予期していない状況が発生した際に電動工具を安全に使用/制御できません。

#### バッテリー工具の使用および取扱い

- ▶ バッテリーを充電する場合は、必ずメーカー推奨の充電器を使用してください。特定タイプのバッテリー専用の充電器を他のバッテリーに使用すると、火災の恐れがあります。
- ▶ 電動工具には、必ず指定されたバッテリーを使用してください。指定以外のバッテリーを使用すると、負傷や火災の恐れがあります。
- ▶ 使用されていないバッテリーの近くに、事務用クリップ、硬貨、キー、釘、ネジ、その他の小さな金属物を置かないでください。電気接点の短絡が起こることがあります。バッテリーの電気接点間が短絡すると、火傷や火災が発生する危険があります。
- ▶ 正しく使用しないと、液漏れが発生することがあります。その場合、漏れた液には触れないでください。もしも触れてしまった場合は、水で洗い流してください。バッテリー液が眼に入った場合は、水で洗い流してから医師の診察を受けてください。流出したバッテリー液により、皮膚が刺激を受けたり火傷を負う恐れがあります。
- ▶ 損傷したあるいは変更が加えられたバッテリーは使用しないでください。損傷したあるいは変更が加えられたバッテリーは、予測不可能な挙動により爆発あるいは負傷事故を発生させる危険があります。
- ▶ バッテリーは火気あるいは高温に曝さないでください。火気あるいは 130 °C (265 °F) を超える高温は、爆発の原因となることがあります。
- ▶ 充電に関するすべての指示事項に従い、バッテリーあるいはバッテリー工具は、決して取扱説明書に記載された温度範囲外で充電しないでください。正しくない充電あるいは許容温度範囲外での充電により、バッテリーが破壊され火災が発生する危険があります。

#### サービス

- ▶ 電動工具の修理は必ず認定サービスセンターにお申し付けください。また、必ず純正部品を使用してください。これにより電動工具の安全性が確実に維持されます。
- ▶ 損傷したバッテリーは決して手入れや保守を行わないでください。バッテリーの保守作業はすべて、メーカーあるいは権限のあるお客様サービスセンターが行うものとします。



## 2.2 すべての作業に関する安全上の注意

研磨、紙やすり研磨、ファイブラシを使用した作業、つや出しおよび切断研磨に共通する安全上の注意：

- ▶ この電動工具は、グラインダー、紙やすりグラインダー、ファイブラシ、ポリッシャー、ホールカッターおよびフリクションソーとして使用することができます。本体に関するすべての安全上の注意、注意事項、図、データに注意してください。以下の注意事項を守らないと、感電、火災および/または重傷事故の発生する危険があります。
- ▶ この電動工具は、工具メーカーの設計・仕様とは異なる作動をするように改造しないでください。そのような改造は、電動工具を制御できなくなり重傷事故が発生する原因となることがあります。
- ▶ 本電動工具用としてメーカーにより専用に開発され、使用を許可されたものではないアクセサリーは使用しないでください。お使いの電動工具にアクセサリーを固定できるというだけでは安全な使用は保証されません。
- ▶ 先端工具の許容回転数は、電動工具に記載された最高回転数よりも高くなければなりません。許容回転数よりも速く回転するアクセサリーは、破損あるいは外れて飛び回る恐れがあります。
- ▶ 先端工具の外径と厚さは、お使いの電動工具の仕様に対応するものでなければなりません。間違ったサイズの先端工具は十分に保護または制御できません。
- ▶ ネジ式インサート付きの先端工具は、研磨スピンドルのネジに厳密に適合したものでなければなりません。フランジにより取り付けの先端工具の場合は、先端工具の穴の直径がフランジの取付け部直径に適合している必要があります。電動工具に確実に固定されていない先端工具は、回転が不安定になり、非常に激しい振動を起して制御不能に陥る恐れがあります。
- ▶ 損傷した先端工具は使用しないでください。先端工具を使用する前に毎回、研磨ディスクに欠損や亀裂がないか、バックアップパッドに亀裂、摩耗、激しい損耗がないか、ファイブラシに緩みや折れたワイアがないかをチェックしてください。電動工具または先端工具を落とす場合は、損傷がないかを点検し、損傷のない先端工具を使用してください。先端工具の点検および取り付け後は、作業員やその他の人員が先端工具の回転エリアに入らないようにして、本体を最高回転数で1分間動作させてください。先端工具に損傷がある場合は、たいていこのテスト時間内に先端工具が折れます。
- ▶ 個人保護用具を着用してください。使用状況に応じて、フルフェースガード、アイシールドあるいは保護メガネを着用してください。有効な場合は、防じんマスク、耳栓、保護手袋、作業材料の細かな剥離片や破片から身体を保護する特殊エプロンを着用してください。さまざまな使用状況において異物の飛散が生じます。飛散する異物から目を保護してください。防じんマスクは、作業時に発生する粉じんを捕集するものでなくてはなりません。長時間大きな騒音にさらされていると、聴覚に悪影響が出る恐れがあります。
- ▶ 作業員以外の人は作業場から安全な距離だけ遠ざけてください。関係者は全員、作業場で個人保護用具を着用しなければなりません。作業材料や折れた先端工具の破片が飛散して、作業場外の人も負傷する危険があります。
- ▶ 作業の実施に伴い先端工具が隠れている電線に接触する可能性がある場合は、必ず絶縁されたグリップ面を電動工具を保持するようにしてください。通電しているケーブルと接触すると、本体の金属部分にも電圧がかかり、感電の危険があります。
- ▶ 必ず電動工具が完全に停止してから電動工具を置いてください。電動工具を置いたときに先端工具が回転していると、電動工具が制御不能に陥る恐れがあります。
- ▶ 電動工具を身体の脇に保持している間は本体を作動させないでください。回転する先端工具に衣服が接触すると、衣服が巻き込まれて先端工具が身体に食い込む危険があります。
- ▶ 電動工具の通気溝は定期的に清掃してください。モーターブローワが埃をハウジング内に引き込んで金属粉じんが大量に堆積すると、電気的な危険が発生する恐れがあります。
- ▶ 可燃物の近くで電動工具を使用しないでください。可燃物に火花が飛んで燃える可能性があります。
- ▶ 冷却液が必要な先端工具は使用しないでください。水やその他の冷却液を使用すると、感電が発生する可能性があります。

### 反動とそれに対する安全上の注意

反動は、研磨ディスク、バックアップパッド、ファイブラシなどの回転している先端工具が噛んだりブロックされたりしたことに起因する突発的な反応です。先端工具が噛んだりブロックされたりすると、回転している先端工具が突然停止します。これにより電動工具は、ブロックが生じた位置において制御されることなく先端工具の回転方向と反対の方向に加速されます。

例えば、研磨ディスクが作業材料の中で噛んだりブロックされたりすると、作業材料に入り込んだ研磨ディスクの縁部が引っかかって破損したり、反動が起きたりすることがあります。その際は、ブロックされた箇所でのディスクの回転方向により、研磨ディスクが作業員の方向やその逆方向に動きます。この場合研磨ディスクが折損することもあります。

電動工具の取り扱いが正しくないと、反動が生じます。反動は、以下に示すような適切な予防措置をとることで防止することができます。



- ▶ 電動工具は両手でしっかりと支え、反力を受け止めることができるように身体と腕を構えます。高速作動時の反力や反発モーメントを最大限制御できるように、常に補助グリップ（装備されている場合）を使用してください。作業者は適切な安全処置を施すことにより反動を防止することができます。
- ▶ 手を回転する先端工具から遠ざけてください。反動で先端工具が手に向かって動く可能性があります。
- ▶ 反動が生じた際に電動工具が動く領域から身体を遠ざけてください。電動工具は、ブロックされた箇所において反動により研磨ディスクの動きと反対方向に動きまわります。
- ▶ 特に角部や鋭い縁部などの領域では慎重に作業してください。先端工具が作業材料から跳ね返ったり、噛んだりしないようにしてください。回転中の先端工具は、角部や鋭い縁部で、あるいはバウンドしたときに噛みやすくなります。その場合、制御不能に陥ったり反動が生じたりします。
- ▶ チェーンソーブレードや歯の付いたソーブレード、スロットが 10 mm 以上のセグメント付きダイヤモンドディスクは使用しないでください。この種の先端工具を使用すると、頻繁に反動が生じたり電動工具が制御不能になったりします。

#### 研磨および切断研磨に特定の安全上の注意：

- ▶ お使いの電動工具に許可されたグラインダー本体と、そのグラインダー本体専用の保護カバーのみを使用してください。お使いの電動工具用ではないグラインダー本体は、絶縁が十分でないことがあり安全ではありません。
- ▶ フック状の研磨ディスクは、研磨面が保護カバー端部の高さより突出しないように取り付けする必要があります。誤まって保護カバー端部の高さより突出して取り付けられた研磨ディスクは十分に保護できません。
- ▶ 保護カバーは確実に電動工具に取り付けられていて、最大限の安全性を確保するために、グラインダー本体の最も小さい部品を作業者が確認できるように調整されていなければなりません。保護カバーは、作業者を破片、誤ってグラインダー本体と接触すること、あるいは衣服に着火する可能性のある火花から保護します。
- ▶ グラインダー本体は必ず許可された用途にのみ使用してください。例：カッティングディスクのサイド面で研磨しないでください。カッティングディスクは、ディスクの縁部で材料を切断するように規定されています。このグラインダー本体へ横方向の力を加えると、折損する可能性があります。
- ▶ テンションフランジは、必ずサイズと形状が選択した研磨ディスクに合った損傷していないものを使用してください。適切なフランジは研磨ディスクをしっかりと支え、ディスク破損の危険を抑えます。カッティングディスク用のフランジは他の研磨ディスク用のフランジと異なることがあります。
- ▶ 大型電動工具の摩耗した研磨ディスクは使用しないでください。大型電動工具の研磨ディスクは小型電動工具の高回転数には適合せず、破損の恐れがあります。
- ▶ 2通りに使用できるグラインダー本体を使用している場合は、必ずそれぞれの使用目的に合った所定の保護カバーを使用してください。正しくない保護カバーを使用すると保護機能が十分ではなく、重傷事故の原因となることがあります。

#### 切断研磨に特定のその他の安全上の注意：

- ▶ カッティングディスクがブロックされたり、押し付けが強くなりすぎないようにしてください。過度に深い切断は行わないでください。カッティングディスクに過度な負荷がかかると、応力が強くなってディスクが曲がったりブロックされやすくなるため、反動やディスク破損が生じる可能性が高くなります。
- ▶ 回転中のカッティングディスクの前後領域から身体を離してください。カッティングディスクを作業材料から離す場合、回転するディスクにより反力を受けた電動工具が直接作業者に向かって跳ね返る危険があります。
- ▶ カッティングディスクが噛んだ場合や作業を中断する場合は、本体の電源をオフにして、ディスクが完全に停止するまで本体を保持してください。まだ回転しているカッティングディスクを切断箇所から取り出そうとしないでください。反動が生じる原因となります。ディスクが噛む場合は、その原因を突き止めて適切な処置を施してください。
- ▶ 電動工具が作業材料内にある間は電動工具のスイッチを再びオンにしないでください。カッティングディスクが最高回転数に達してから、切断を慎重に再開してください。この手順を守らないと、ディスクが引っかけた作業材料から飛び出たり、反動が生じることがあります。
- ▶ 噛んだカッティングディスクによる反動の危険を最小限に抑えるために、プレートや大型の作業材料にはサポートを施してください。大型の作業材料はそれ自身の重みでたわむことがあります。作業材料はディスクの両側、つまり切断箇所付近と縁部で支える必要があります。
- ▶ 既存の壁やその他の見通しのきかない領域で「フランジカット」を行う場合は特に注意してください。押し込んだカッティングディスクはガス管、水道管、電気配線、その他の対象物に食い込んで反動を引き起こすことがあります。
- ▶ 曲線状に切断しようと試みしないでください。カッティングディスクに過度な負荷がかかると、応力が強くなってディスクが曲がったりブロックされやすくなるため、反動やディスク破損が生じる可能性が高くなり、重傷事故の原因となることがあります。



**紙やすり研磨に特定の安全上の注意：**

- ▶ 必ず適切なサイズの紙やすりを使用してください。紙やすりサイズに関するメーカー指示に従ってください。パッキングパッドから大きくはみ出た紙やすりは、負傷の原因となったり、動作停止、紙やすりの破れ、または反動を引き起こすことがあります。

**つや出しに特定の安全上の注意：**

- ▶ ポリッシャーカバーの部品、特に固定ストリングは緩んでいてはなりません。固定ストリングは確実にしまつか、あるいは短くしてください。緩んで供回りする固定ストリングが指を挟んだり、あるいは作業材料に絡まることがあります。

**ワイアブラシを使用した作業に特定の安全上の注意：**

- ▶ ワイアブラシは通常の使用においてもワイア部分が擦り減ることに注意してください。強く押し過ぎてワイアに過度な負荷をかけないでください。飛散するワイア片は薄手の衣服を突き抜けて皮膚まで達することがあります。
- ▶ 保護カバーの使用が指定されている場合には、保護カバーとワイアブラシが接触しないように注意してください。ディスク型およびポット型ブラシの場合、押し付け力と遠心力でその直径が拡大することがあります。

**2.3 その他の安全上の注意****作業者に関する安全**

- ▶ 本製品とアクセサリーは、必ず技術的に問題のない状態で使用してください。
- ▶ 本製品あるいはアクセサリーには、決して加工や改造を加えないでください。
- ▶ 本製品は、常に両手でグリップを掴んでしっかりと保持してください。グリップ表面は乾燥させ、清潔に保ち、オイルやグリスで汚さないようにしてください。
- ▶ 本製品に集じん装置を取り付けずに作業をする場合、作業される方は防じんマスクを着用しなければなりません。
- ▶ 頻繁に休憩を取って、指を動かして血行を良くするように心がけてください。長時間作業の際には、強い振動により指、手あるいは手首の関節の血管あるいは神経系に障害が発生する可能性があります。
- ▶ 回転部分には手を触れないでください。本製品の電源は必ず作業場に入れてください。回転部分、特に回転している先端工具は負傷の原因となります。
- ▶ 本製品は完全に停止するまで置かないでください。
- ▶ 本製品は、体の弱い人が指示を受けずに使用するには向いていません。本製品は子供の手が届かないところに保管してください。
- ▶ 研磨、紙やすり研磨、切断および穿孔の際に発生する粉じんは、化学物質を含んでいる場合があります。これには、鉛、あるいは鉛ベースの塗料、レンガ、コンクリートおよびその他の壁用資材、自然石およびその他の珪酸塩含有製品、樫、樺などの特定の木材、および化学処理の施された木材、アスベストあるいはアスベストが含まれる母材、などが考えられます。作業対象の資材の危険等級により、作業者および周囲の人員の曝露を確認してください。曝露を安全なレベルに維持するために、粉じん吸引システムの使用、あるいは適切な防じんマスクの着用などの必要な処置を取ってください。曝露の低減のための一般的な処置としては、以下のようなものがあります：
  - ▶ 十分に換気された領域での作業
  - ▶ 粉じんと長時間の接触の回避
  - ▶ 粉じんを顔や体から遠ざける
  - ▶ 保護服を着用し、水と石鹸で曝露領域を洗浄する。
- ▶ 本製品の使用中は、作業者および現場で直近に居合わせる人々は、アイシールド、保護ヘルメット、耳栓を着用しなければなりません。
- ▶ 先端工具の交換時には保護手袋を着用してください。先端工具に触れると、切創事故や火傷の原因となることがあります。
- ▶ 落下する先端工具および / またはアクセサリーによる負傷の危険。作業を開始する前に、バッテリーおよび取り付けたアクセサリーが確実に固定されていることを確認してください。
- ▶ 通気溝は常にふさがないようにしてください。通気溝が覆われることによる火傷の危険！
- ▶ 本製品は、作業位置に運ってからスイッチを入れるようにしてください。
- ▶ 本製品は完全に停止するまで置かないでください。
- ▶ 本製品が作動限界の超過あるいはバッテリーが空であることを検知すると、先端工具がモーターにより制動されなくなることがあります。
- ▶ ベルトフックを本製品に固定しないでください。

**電動工具の慎重な取扱いおよび使用**

- ▶ 研磨ディスクの保管および取り扱いはメーカーの指示に従い、細心の注意を払って行ってください。
- ▶ 本製品は決して保護カバーを取り付けずに使用しないでください。



- ▶ 作業材料を固定します。作業材料を締め付ける時は、クランプあるいは万力を使用してください。この方が手で押さえるよりも確実であり、また本製品の操作に両手を自由に使うことができます。
- ▶ 切断研磨ディスクを粗削り研磨に使用しないでください。
- ▶ 先端工具とフランジをしっかりと締め付けてください。先端工具またはフランジがしっかりと締め付けられていないと、スイッチオフの後、制動の際に先端工具が本体モーターによりスピンドルから外れる危険があります。

#### 電気に関する安全注意事項

- ▶ 作業を開始する前に、作業領域に埋設された電線、ガス管や水道管がないかを調査してください。電線、ガス管あるいは水道管を損傷すると、本製品外側の金属部分での感電事故、あるいは爆発が発生する可能性があります。
- ▶ 導電性のある母材に対する作業を頻繁に行う場合は、定期的にHilti サービスセンターに本製品の点検を依頼してください。本体表面に埃（特に導電性のある物質の埃）、あるいは泥や水分が付くと、好ましくない条件下においては感電の原因となることがあります。

#### 作業場の安全確保

- ▶ 剥がし作業の場合には、作業側と反対の領域を保護してください。剥がれた部分が脱落、落下して他人を傷つける危険があります。
- ▶ 支持壁やその他の構造物への切込み、特に鉄筋または鉄骨梁の除去は静力学に影響を及ぼします。作業を開始する前に、担当の静力学専門家や建築家、あるいは現場管理責任者に問い合わせてください。

#### 保護カバーの使用に関する追加の注意事項

以下のリスクを回避するため、常に適切な保護カバーを使用してください。「ディスクと装備の組合せ」の章を参照してください。

- ▶ 正面研磨にフロントカバー付きの標準保護カバーを使用すると、保護カバーが作業材料に接触し、それにより本製品を制御できなくなることがあります。
- ▶ 許容最大太さより太いワイアブラシを使用すると、ワイアが保護カバーにからまって破断することがあります。
- ▶ アブレーションカッティングディスクによる金属の切断研磨に標準保護カバーを使用すると、火花や微粒子発生、またディスクの破損の際にはディスクの破片が飛散するリスクが高くなります。
- ▶ コンクリートあるいは石材の切断および研磨にフロントカバーとともにあるいはフロントカバーなしで標準保護カバーを使用すると、粉じんの発生が激しくなり、本製品を制御できなくなり、反動が発生するリスクが高くなります。

#### 2.4 バッテリーの慎重な取扱いおよび使用

- ▶ Li-Ion バッテリーの安全な取扱いと使用のために、以下の安全上の注意を遵守してください。これを守らないと、皮膚の炎症、重篤な腐食負傷、化学火傷、火災および / あるいは爆発の原因となることがあります。
- ▶ バッテリーは、必ず技術的に問題のない状態で使用してください。
- ▶ 損傷を防止して健康にとってきわめて危険なバッテリー液の漏出を防ぐため、バッテリーは慎重に取り扱ってください！
- ▶ バッテリーは決して改造したり手を加えたりしないでください！
- ▶ バッテリーを分解したり、挟んだり、80°C (176°F) 以上に加熱したり、燃やしたりしないでください。
- ▶ ぶつかけたり、あるいはその他の損傷を受けたバッテリーは、使用したり充電したりしないでください。バッテリーは、損傷の痕跡がないか定期的に点検してください。
- ▶ リサイクルあるいは修理されたバッテリーは、決して使用しないでください。
- ▶ バッテリーまたはバッテリー式電動工具は、決して打撃工具として使用しないでください。
- ▶ バッテリーは、決して直射日光、高温、火花の発生、裸火に曝さないでください。これを守らないと、爆発の原因となることがあります。
- ▶ バッテリーの電極に、指、工具、装身具あるいはその他の導電性のある物体で触れないようにしてください。これを守らないと、バッテリーの損傷、物財の損傷および負傷の原因となることがあります。
- ▶ バッテリーを雨、湿気、液体から保護してください。バッテリー内に湿気が入り込むと、短絡、感電、火傷、火災あるいは爆発の原因となることがあります。
- ▶ 必ずご使用のバッテリータイプ用に指定された充電器と電動工具を使用してください。これについては、充電器や電動工具の取扱説明書の記述を確認してください。
- ▶ バッテリーは、爆発の可能性がある場所で使用あるいは保管しないでください。



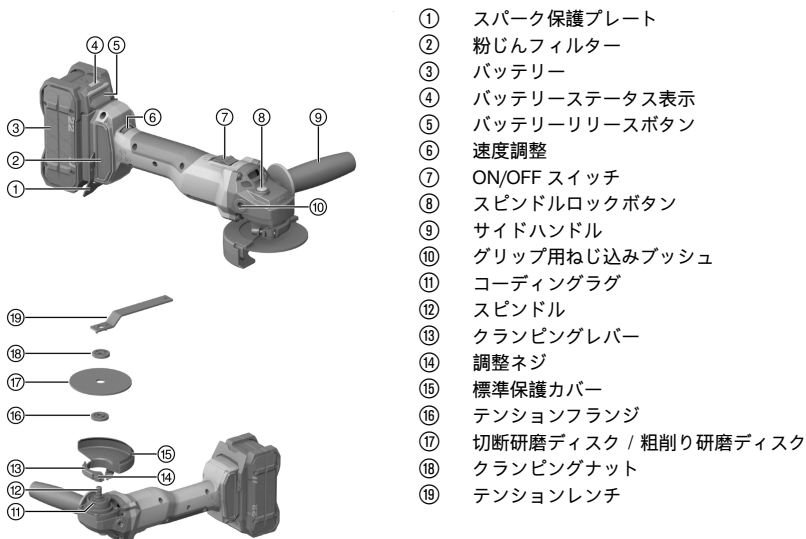


- ▶ バッテリーが掴むことのできないほどに熱くなっている場合は、故障している可能性があります。バッテリーを、目視確認が可能で可燃物のない場所に、可燃性の資材から十分な距離を設けて置いてください。バッテリーを冷ます。1時間の経過後にも掴むことのできないほどに熱い場合は、そのバッテリーは故障している可能性があります。**Hilti** サービスセンターにご連絡いただくか、あるいは「**Hilti** の Li-Ion バッテリーの安全と使用についての注意事項」をお読みください。

**i** Li-Ion バッテリーの搬送、保管および使用に適用される特別の規則を遵守してください。→ 頁 36  
本取扱説明書巻末の QR コードをスキャンして、**Hilti** の Li-Ion バッテリーの安全と使用についての注意事項をお読みください。

### 3 製品の説明

#### 3.1 製品概要



- ① スパーク保護プレート
- ② 粉じんフィルター
- ③ バッテリー
- ④ バッテリーステータス表示
- ⑤ バッテリーリリースボタン
- ⑥ 速度調整
- ⑦ ON/OFF スイッチ
- ⑧ スピンドルロックボタン
- ⑨ サイドハンドル
- ⑩ グリップ用ねじ込みブッシュ
- ⑪ コーディングラグ
- ⑫ スピンドル
- ⑬ クランピングレバー
- ⑭ 調整ネジ
- ⑮ 標準保護カバー
- ⑯ テンションフランジ
- ⑰ 切断研磨ディスク / 粗削り研磨ディスク
- ⑱ クランピングナット
- ⑲ テンションレンチ

#### 3.2 正しい使用

本書で説明している製品は、手持ち式の充電式アングルグラインダーです。この工具は、金属および鋳物母材の切断研磨と粗削り研磨、ブラッシングおよび紙やすり研磨用の乾式アングルグラインダーです。乾式の研磨 / 切断のみに使用してください。

- 本製品には、必ず**Hilti** Nuron の B 22 シリーズの Li-Ion バッテリーを使用してください。最適な出力を得るため、**Hilti** は本製品に対して本取扱説明書の巻末の表に記載されているバッテリーをお勧めします。
- これらのバッテリーには、必ず本取扱説明書の巻末の表に記載されているシリーズの**Hilti** の充電器を使用してください。

#### 3.3 本体標準セット構成

アングルグラインダー、サイドハンドル、標準保護カバー、フロントカバー、テンションフランジ、クランピングナット、テンションレンチ、粉じんフィルター、取扱説明書。

その他のご使用の製品用に許可されたシステム製品については、弊社営業担当または**Hilti Store** にお問い合わせいただくか、あるいは [www.hilti.group](http://www.hilti.group) でご確認ください。

#### 3.4 ATC

本製品は、アクティブトルクコントロール ATC (Active Torque Control) を装備しています。

先端工具がブロックしたりあるいは噛むと、製品は突然に作業者の操作によらずに反対方向へ回転します。ATC は製品のこの突然の回転動作を検知し、製品を直ちにオフにします。



**i** 正しく作動するためには製品が回転できる必要があります。  
シャットオフ機能が正常に作動した後は、製品をオフにして再びオンにします。

### 3.5 モーター保護機能

モーター保護機能は消費電流とモーターの過熱をモニターして、本製品を加熱から保護します。  
接触圧が高すぎてモーターが過負荷になると、製品の出力が著しく低下するか、製品が動作を停止することがあります。

**i** 過負荷により停止または回転数の低下が発生した場合は、製品を負荷から解放して約 30 秒間無負荷回転数で作動させてください。

### 3.6 内蔵ブレーキ

内蔵ブレーキにより、先端工具の停止までの所要時間が短縮されます。

**i** この機能は、本製品に電流が供給されている場合に限り有効です。  
制動時間は選択した先端工具により異なります。

### 3.7 フロントカバー

以下に挙げる用途では、標準保護カバー付きのフロントカバーを使用してください：

- ストレート粗削り研磨ディスクを使用しての粗削り研磨
- 切断研磨ディスクを使用しての切断研磨

### 3.8 DG-EX 100/4" 研磨用ダストカバー (アクセサリ)

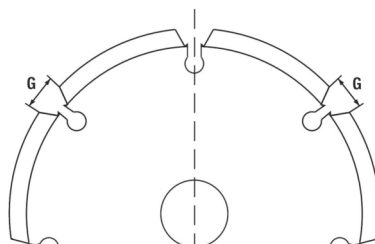
研磨システムは、ダイヤモンドカップホイールを使用しての鋳物母材のあまり頻繁ではない研磨にのみ適しています。

このカバーによる金属の加工は禁止されています。

### 3.9 適切なダイヤモンド切り込みディスクの形状

ダイヤモンド切り込みディスクの形状は以下の条件を満たしていなければなりません。

製品仕様	
セグメント間のスリット幅 (G)	≤ 10 mm
切断角度	ネガティブ



### 3.10 Li-Ion バッテリーのインジケータ

Hilti Nuron Li-Ion バッテリーは、充電状態、エラーメッセージ、およびバッテリーの状態を表示することができます。

#### 3.10.1 充電状態およびエラーメッセージの表示

**警告**

負傷の危険 バッテリーの落下！

- ▶ バッテリーを装着した状態でリリースボタンを押した後は、バッテリーを確実に正しく使用する製品に再ロックするようにしてください。

次の表示を確認するには、バッテリーのリリースボタンを短く押してください。  
充電状態および不具合は、接続されている製品がオンになっている間常時表示されます。



状態	意味
4 個の LED (4) が常時緑色で点灯	充電状態：100 %...71 %
3 個の LED (3) が常時緑色で点灯	充電状態：70 %...51 %
2 個の LED (2) が常時緑色で点灯	充電状態：50 %...26 %
1 個の LED (1) が常時緑色で点灯	充電状態：25 %...10 %
1 個の LED (1) がゆっくり緑色で点滅	充電状態：< 10 %
1 個の LED (1) が高速で緑色で点滅	Li-Ion バッテリーは完全に放電しています。バッテリーを充電してください。 バッテリーの充電の後にも LED が高速で点滅する場合は、Hilti サービスセンターにご連絡ください。
1 個の LED (1) が高速で黄色で点滅	Li-Ion バッテリーまたは接続されている製品が過負荷、過熱、低温の状態にあるか、あるいはその他の不具合が発生しています。 製品とバッテリーを推奨動作温度にし、使用時に製品が過負荷にならないようにしてください。 メッセージが引き続き出力される場合は、Hilti サービスセンターにご連絡ください。
1 個の LED (1) が黄色で点灯	Li-Ion バッテリーとそれと接続されている製品とに互換性がありません。Hilti サービスセンターにご連絡ください。
1 個の LED (1) が高速で赤色で点滅	Li-Ion バッテリーはロックされていて、使用できません。Hilti サービスセンターにご連絡ください。

### 3.10.2 バッテリーの状態に関する表示

バッテリーの状態を確認するには、リリースボタンを 3 秒を超えて押し続けてください。システムは、落下、異物の貫入、外部の熱源による損傷などの誤った使用に起因するバッテリーの機能異常については検知しません。

状態	意味
すべての LED がチェイサーライトとして点灯し、続いて 1 個の LED (1) が常時緑色で点灯。	バッテリーは引き続き使用することができます。
すべての LED がチェイサーライトとして点灯し、続いて 1 個の LED (1) が速く黄色で点滅。	バッテリーの状態確認を終了することができませんでした。手順を繰り返すか、Hilti サービスセンターにご連絡ください。
すべての LED がチェイサーライトとして点灯し、続いて 1 個の LED (1) が常時赤色で点灯。	接続されている製品を引き続き使用できる場合、バッテリーの残り容量は 50% 未満です。 接続されている製品を引き続き使用することができない場合、バッテリーは寿命に達していて交換の必要があります。Hilti サービスセンターにご連絡ください。

## 4 消耗品

使用できるのは、11500 min<sup>-1</sup> 以上の回転数と 80 m/s のカット速度に対応した繊維強化合成樹脂ディスクのみです。

**注意！** 切断研磨ディスクによる切断および切込みの際には、必ずフロントカバーを追加した標準保護カバー、あるいは完全に閉じたダストカバーを使用してください。

ディスク

タイプ	用途	略号	母材	最大厚さ	最大直径
アブレーシブ切断研磨ディスク	切断研磨、切込み	AC-D	金属	2.5 mm	100 mm
ダイヤモンド切断研磨ディスク	切断研磨、切込み	DC-TP, DC-D (SPX, SP, P)	鉱物	3 mm	100 mm
アブレーシブ粗削り研磨ディスク	粗削り研磨	AG-D, AF-D, AN-D	金属	6.4 mm	100 mm



タイプ	用途	略号	母材	最大厚さ	最大直径
ダイヤモンド粗削り研磨ディスク	粗削り研磨	DG-CW (SPX, SP, P)	鋳物	—	100 mm
ワイアブラシ	ワイアブラシ	3CS, 4CS, 3SS, 4SS	金属	— 27 mm	75 mm 100 mm
ファイバーディスク	粗削り研磨	AP-D	金属	—	100 mm

#### ディスクと装備の組合せ

項目	装備	AC-D	AP-D	AG-D、 AF-D、 AN-D	DG-CW (SPX、 SP、P)	DC-TP、 DC-D (SPX、 SP、P)	3CS、 4CS、 3SS、 4SS、 DD-M14
A	保護カバー (標準)	✓	✓	✓	✓	✓	✓
B	フロントカバー (Aとの組合せ)	✓	—	—	—	✓	—
C	DG-EX 100/4" 研磨用ダストカバー	—	—	—	✓	—	—
D	サイドハンドル (標準)	✓	✓	✓	✓	✓	✓
E	クランピングナット (標準)	✓	—	✓	✓	✓	—
F	テンションフランジ (標準)	✓	—	✓	✓	✓	—
G	クランピングナット (ファイバーディスク)	—	✓	—	—	—	—
H	サポートパッド (ファイバーディスク)	—	✓	—	—	—	—

## 5 製品仕様

AG 4S-22-100	
定格電圧	21.6 V
定格回転数	8,500/min
最大ディスク直径	104.9 mm
バッテリーなしの重量 (EPTA プロシージャ 01 に準拠)	1.9 kg
駆動スピンドルネジ	10
スピンドルの長さ	16 mm
作動時の周囲温度	-17 °C ... 60 °C (1 °F ... 140 °F)
保管温度	-20 °C ... 70 °C (-4 °F ... 158 °F)

### 5.1 バッテリー

バッテリー作動電圧	21.6 V
バッテリー重量	本取扱説明書の巻末を参照してください
作動時の周囲温度	-17 °C ... 60 °C (1 °F ... 140 °F)



保管温度	-20 °C ... 40 °C (-4 °F ... 104 °F)
充電開始時のバッテリー温度	-10 °C ... 45 °C (14 °F ... 113 °F)

## 5.2 騒音および振動値について (62841-2-3:2021 準拠)

本説明書に記載されているサウンドプレッシャー値および振動値は、規格に準拠した測定方法に基づいて測定したものです。電動工具を比較するのにご使用いただけます。曝露値の暫定的な予測にも適しています。記載されているデータは、電動工具の主要な使用方法に対する値です。電動工具を他の用途で使用したり、異なる先端工具を取り付けて使用したり、手入れや保守が十分でないまま使用した場合には、データが異なることがあります。このような相違により、作業時間全体で曝露値が著しく高くなる可能性があります。曝露値を正確に予測するためには、電動工具のスイッチをオフにしている時間や、電動工具が作動していても実際には使用していない時間も考慮しなければなりません。このような相違により、作業時間全体で曝露値が著しく低くなる可能性があります。

作業者を騒音および / または振動による作用から保護するために、他にも安全対策を立ててください (例 : 電動工具および先端工具の手入れや保守、手を冷やさないようにする、作業手順の編成)。

薄いシートメタルや表面積が大きいその他の振動しやすい構造物を研磨すると、所定の騒音排出値を上回る大きな騒音が発生する可能性があります。そのような作業で発生する騒音は、厚くて柔軟性のある遮音マットを取り付けるなどの処置により低減することができます。騒音暴露のリスクを評価し、適切な聴覚保護具を選択するには、これらの増加した値を常に考慮してください。

### 騒音について

	AG 4S-22-100
排出サウンドプレッシャーレベル ( $L_{pA}$ )	84 dB(A)
サウンドプレッシャーレベルの不確実性 ( $K_{pA}$ )	3 dB(A)
サウンドパワーレベル ( $L_{WA}$ )	92 dB(A)
サウンドパワーレベルの不確実性 ( $K_{WA}$ )	3 dB(A)

### 振動について

切断などの他の用途に使用した場合には、振動値がここに記載した値から変化する可能性があります。

	AG 4S-22-100	
表面研磨 ( $a_{h,AG}$ )	B 22-55	4.4 m/s <sup>2</sup>
	B 22-255	3.7 m/s <sup>2</sup>
不確実性 (K)		1.5 m/s <sup>2</sup>

## 6 作業準備

### 警告

負傷の危険 意図しない始動！

- ▶ バッテリーを装着する前に、バッテリーを装着する製品のスイッチがオフになっていることを確認してください。
- ▶ 本体の設定、またはアクセサリの交換の前にバッテリーを取り外してください。

本書および製品に記載されている安全上の注意と警告表示に注意してください。

### 6.1 バッテリーを充電する

1. 充電の前に充電器の取扱説明書をお読みください。
2. バッテリーと充電器の電気接点は汚れがなく、乾燥していることを確認してください。
3. バッテリーは許可された充電器で充電してください。→ 頁 27



## 6.2 バッテリーを装着する

### 警告

負傷の危険 短絡あるいはバッテリーの落下！


- ▶ バッテリーを装着する前に、バッテリーの電気接点と製品の電気接点に異物がないことを確認してください。
- ▶ バッテリーが正しくロックされていることを常に確認してください。

1. はじめてお使いになる前にバッテリーをフル充電してください。
2. ロックの音が聞こえるまでバッテリーを製品へとスライドさせます。
3. バッテリーがしっかりと装着されていることを確認してください。

## 6.3 バッテリーを取り外す

1. バッテリーのリリースボタンを押します。
2. 製品からバッテリーを抜き取ります。

## 6.4 Hilti 落下暴発防止装置を取り付ける (オプション)

 本製品を使用しての高所での作業の際は、各国の定めるガイドラインを必ず守ってください。  
落下暴発防止装置の取扱説明書に注意してください。


1. 落下暴発防止装置の両方のラグを、正確にスパーク保護プレートに合わせてください。
2. 落下暴発防止装置は、付属のネジを使用してスパーク保護プレートの所定の穴に固定してください。
3. バッテリーを装着します。→ 頁 32

## 6.5 転倒防止装置

### 警告


負傷の危険 先端工具および / あるいはアクセサリーの落下！

- ▶ 必ずご使用の製品用に推奨されているHiltiの工具保持ローブを使用してください。
- ▶ 使用の前に毎回、工具保持ローブの固定ポイントに損傷がないか点検してください。

 ご使用の国において適用される高所での作業に関する規則に注意してください。

本製品の落下防止には、必ずHiltiの落下暴発防止装置#2293133 およびHiltiの工具保持ローブ#2261970を組み合わせ使用してください。

- ▶ 落下暴発防止装置をアクセサリー用の取り付け開口部に固定してください。しっかりと固定されていることを確認してください。
- ▶ 工具保持ローブのスナップフックを落下暴発防止装置に固定し、第2のスナップフックを支持構造物に固定します。両方のスナップフックがしっかりと固定されていることを確認してください。

 Hilti 落下暴発防止装置およびHilti 工具保持ローブの取扱説明書の記載に注意してください。

## 6.6 サイドハンドルを取り付ける

- ▶ サイドハンドルをいずれかのねじ込みブッシュにねじ込みます。

## 6.7 先保護カバーを取り付ける / 取り外す

### 注意

負傷の危険。先端工具は熱くなっていたり、エッジが鋭くなっている場合があります。

- ▶ 取付け、取外し、調整作業および不具合の除去の際には保護手袋を着用してください。
- ▶ 当該の保護カバーの取付け説明書に従ってください。



### 6.7.1 標準保護カバーを取り付ける

保護カバーのコーディングにより、製品に対応した適切な保護カバーしか取り付けることができないようになっています。加えてコーディングラグは、保護カバーが先端工具に落下するのを防止します。

1. クランピングレバーを開きます。
2. コーディングラグをコーディング溝に噛み合わせて、保護カバーを本体ヘッドのスピンドルカラーに取り付けます。
3. 保護カバーを必要とされる位置に回します。
4. 保護カバーを確実に固定するためにクランピングレバーを閉じます。

保護カバーはすでに調整ネジにより正しいクランプ直径に調整されています。保護カバーを取り付けた状態で固定力が小さすぎる場合には、調整ネジを少し締めることにより固定力を強くすることができます。

### 6.7.2 標準保護カバーを調整する

1. クランピングレバーを開きます。
2. 保護カバーを必要とされる位置に回します。
3. 保護カバーを確実に固定するためにクランピングレバーを閉じます。

### 6.7.3 標準保護カバーを取り外す

1. クランピングレバーを開きます。
2. コーディングラグがコーディング溝と一致するまで保護カバーを回し、取り外します。

## 6.8 フロントカバーを取り付ける / 取り外す

フロントカバーは標準保護カバーに差し込む必要があります。

1. フロントカバーの閉じた側を上に向けて、標準保護カバーに取り付けてください。
  - ▶ ロック音が聞こえなければなりません。
2. 取り外すには、フロントカバーのロックを開きます。
3. 標準保護カバーからフロントカバーを取り外します。

## 6.9 先端工具を取り付ける / 取り外す

### 注意

**負傷の危険。** 先端工具は熱くなることがあります。

- ▶ 先端工具を交換する際には保護手袋を着用してください。

切断性能または研磨性能が明らかに低下したなら、ダイヤモンドディスクは直ちに交換する必要があります。一般的に、ダイヤモンドセグメントの高さが2 mm 未満になったらダイヤモンドディスクを交換する必要があります。

その他のタイプのディスクは、切断性能が明らかに低下した場合、あるいは作業中にアングルグラインダーの部品（ディスクを除く）が作業対象と接触した場合には直ちに交換する必要があります。アブレイシブディスクは有効期限が切れたなら交換する必要があります。

### 6.9.1 先端工具を取り付ける

#### 警告

**負傷の危険。** 本体モーターの制動時に先端工具が外れることがあります。

- ▶ 先端工具あるいはクランピングナットを掴むのは、先端工具が停止するまでお待ちください。
- ▶ 先端工具とテンションフランジはクランピングナットを使用して締め付け、本体モーターの制動時にスピンドルから外れる部品がないようにしてください。

1. テンションフランジをスピンドルに取り付けます。
2. 先端工具を取り付けます。
3. クランピングナットを装着した先端工具に合わせてしっかり締め付けます。



4. スピンドルロックボタンを押して、その状態を保ちます。
5. テンションレンチでクランピングナットを締め付け、続いてスピンドルロックボタンから指を放してテンションレンチを取り外します。

### 6.9.2 先端工具を取り外す

#### 警告

**破損および故障の危険。** スピンドルが回転しているときにスピンドルロックボタンを押すと、先端工具が外れることがあります。

▶ スピンドルロックボタンは必ずスピンドルが停止している状態で押してください。

1. スピンドルロックボタンを押して、その状態を保ちます。
2. テンションレンチを取り付けて、反時計方向に回してクランピングナットを緩めます。
3. スピンドルロックボタンから指を放して先端工具を取り外します。

### 6.9.3 ワイアブラシを取り付ける

1. サイドハンドルを取り付けます。→ 頁 32
2. 標準保護カバーを取り付けます。
3. ワイアブラシを取り付けて、手で締め付けます。
4. スピンドルロックボタンを押して、その状態を保ちます。
5. 適切なオープンエンドレンチを使用してワイアブラシを締め付けます。
6. 続いてスピンドルロックボタンから指を放してオープンエンドレンチを取り外します。

### 6.9.4 ファイバーディスクを取り付ける

1. サイドハンドルを取り付けます。→ 頁 32
2. 標準保護カバーを取り付けます。
3. サポートパッドとファイバーディスクを取り付けて、クランピングナットを締め付けます。
4. スピンドルロックボタンを押して、その状態を保ちます。
5. テンションレンチでクランピングナットを締め付けます。
6. 続いてスピンドルロックボタンから指を放してテンションレンチを取り外します。

## 7 ご使用方法

### 7.1 スイッチオン

1. ON/OFF スイッチの後部を押します。
2. ON/OFF スイッチを前方にスライドさせます。
  - ▶ モーターが作動します。
3. ON/OFF スイッチをロックします。

### 7.2 研磨

#### 警告

**負傷の危険。** 先端工具は、突然停止したりひっかかることがあります。

▶ 本製品はサイドハンドルを付けて使用し、常に両手で確実に保持してください。

先端工具がつままないようにしてください。また製品を過度な力で押し付けしないでください。

### 7.3 切断研磨

▶ 切断研磨の場合は、適度に送りながら作業し、本製品または切断研磨ディスクを傾けないようにします（作業位置は切断面に対して約 90°）。



成形材および小型の角パイプは、切断研磨ディスクの接触断面をできるだけ小さくすることによって最も効率よく切断することができます。





## 7.4 粗削り研磨

### 警告

負傷の危険。切断研磨ディスクが破損して飛散した破片により負傷することがあります。  
 ▶ 切断研磨ディスクは決して粗削り研磨に使用しないでください。

- ▶ 本製品を 5°...30° のアプローチ角度で、適度な圧力をかけながら前後に動かします。
  - ▶ 作業材料は熱くなりすぎたり変色することがなく、凹凸なく仕上げることができま

## 7.5 スイッチオフ

- ▶ ON/OFF スイッチの後部を押します。
  - ▶ ON/OFF スイッチはオフ位置になりモーターが停止します。

## 8 手入れと保守

### 警告

バッテリーを装着した状態における負傷の危険！

- ▶ 手入れや保守作業の前に必ずバッテリーを取り外してください！

### 危険

保護絶縁の欠落による感電。使用条件によっては、金属の加工時に導電性の粉じん（金属、カーボンファイバーなど）が本体内部に引き込まれ、保護絶縁が影響を受けることがあります。

- ▶ 使用条件によっては、固定式の吸じん装置を使用してください。
- ▶ 通気溝は頻繁に清掃してください。

### 製品の手入れ

- 付着した汚れを慎重に除去してください。
- 必ず少し湿した布でハウジングを拭いてください。シリコンを含んだ磨き粉はプラスチック部品をいためる可能性があるため使用しないでください。
- 本製品の電気接点を清掃するには、清潔な乾いた布を使用してください。

### Li-Ion バッテリーの手入れ

- 通気溝が詰まっているバッテリーは決して使用しないでください。通気溝を乾いた柔らかいブラシを使用して慎重に掃除してください。
- バッテリーを不必要に粉じんや汚れに曝さないようにしてください。バッテリーは、決して高い湿度に曝さないでください（例：水中に沈める、あるいは雨中に放置する）。水分が浸入したバッテリーは、損傷したものとして取り扱ってください。そのようなバッテリーは不燃性の容器に隔離し、Hilti サービスセンターにご連絡ください。
- バッテリーには、本製品に使用しているのではないオイルやグリスが付着しないようにしてください。バッテリーに不必要な粉じんあるいは汚れが堆積しないようにしてください。バッテリーは、乾いた柔らかいブラシまたは乾いた布で清掃してください。シリコンを含んだ磨き粉はプラスチック部品をいためる可能性があるため使用しないでください。バッテリーの電気接点に手を触れないでください、また、工場出荷時に塗布されているグリスを電気接点からぬぐい取らないでください。
- 必ず少し湿した布でハウジングを拭いてください。シリコンを含んだ磨き粉はプラスチック部品をいためる可能性があるため使用しないでください。

### 保守

- 目視確認可能なすべての部品については損傷の有無を、操作エレメントについては問題なく機能することを定期的点検してください。
- 損傷および / または機能に問題のある場合は、本製品を使用しないでください。速やかにHilti サービスセンターに本製品の修理を依頼してください。
- 手入れおよび保守作業の後には、すべての安全機構を取り付けて、それらが問題なく作動するか点検してください。



安全な作動のために、必ず純正のスペアパーツと消耗品を使用してください。本製品向けにHilti が承認したスペアパーツ、消耗品およびアクセサリは、弊社営業担当またはHilti Store にお問い合わせいただくか、あるいは[www.hilti.group](http://www.hilti.group)



## 9 バッテリー式工具およびバッテリーの搬送および保管

### 搬送

#### 注意

#### 搬送時の予期しない始動！

- ▶ お使いの製品は、必ずバッテリーを装着していない状態で搬送してください！
- ▶ バッテリーを取り外してください。
- ▶ バッテリーは決して梱包しない状態で搬送しないでください。搬送中のバッテリーは、他のバッテリー電極と接触して短絡の原因となることを防ぐために、過大な衝撃や振動から保護し、あらゆる導電性の物体あるいは他のバッテリーから隔離する必要があります。バッテリーの搬送に関する各国（地域）の規則を遵守してください。
- ▶ バッテリーは郵送しないでください。損傷していないバッテリーを送付する場合は、運送業者を手配してください。
- ▶ 使用前の前にその都度、また長距離の搬送の前には、製品とバッテリーに損傷がないか点検してください。

### 保管上の注意事項

#### 警告

#### 故障したあるいは液漏れしたバッテリーによる予期しない損傷！

- ▶ お使いの製品は、必ずバッテリーを装着していない状態で保管してください！
- ▶ 製品とバッテリーは涼しくて乾燥した場所に保管してください。製品仕様に記載されている温度の限界値に注意してください。
- ▶ バッテリーは充電器内で保管しないでください。充電の後は、必ずバッテリーを充電器から取り出してください。
- ▶ バッテリーを太陽の直射下、熱源の上、窓際等で保管しないでください。
- ▶ 製品およびバッテリーは、子供や権限のない人が手を触れることのないようにして保管してください。
- ▶ 使用前の前にその都度、また長期にわたる保管の前には、製品とバッテリーに損傷がないか点検してください。

## 10 故障時のヒント

すべての不具合において、バッテリーの充電状態および故障インジケーターを確認してください。Li-Ionバッテリーのインジケーターの章を参照してください。この表に記載されていない、あるいはご自身で解消することのできない故障が発生した場合には、弊社営業担当またはHilti サービスセンターにご連絡ください。

故障	考えられる原因	解決策
製品がオンにならない。	バッテリーが放電している。	▶ バッテリーを交換し、空のバッテリーを充電してください。
バッテリーの放電が通常よりも早い。	周囲温度が低すぎる。	▶ バッテリーをゆっくり室温まで暖めてください。
バッテリーが「カチッ」と音がするまでロックされない。	バッテリーのロックノッチが汚れている。	▶ ロックノッチを清掃してバッテリーを改めてロックしてください。
アングルグラインダーあるいはバッテリーが熱くなる。	電氣的故障	▶ 製品の電源を直ちに切ってバッテリーを取り外して観察してください、バッテリーを冷ましてHilti サービスセンターに連絡してください。
	通気溝の目詰まり	▶ 通気溝を定期的に清掃してください。
モーターの制動機能なし。	バッテリーが放電している。	▶ バッテリーを交換し、空のバッテリーを充電してください。
	製品の短時間の過負荷。	▶ 製品をオフにして、再びオンにします。



## 11 廃棄

### 警告

誤った廃棄による負傷の危険！ 漏出するガスあるいはバッテリー液により健康を損なう危険があります。

- ▶ 損傷したバッテリーを送付しないでください！
- ▶ 短絡を防止するために接続部を非導電性のもので覆ってください。
- ▶ バッテリーは子供が手を触れることのないように廃棄してください。
- ▶ バッテリーの廃棄は、最寄りのHilti Store あるいは適切な廃棄物処理業者に依頼してください。

Hilti 製品の大部分の部品はリサイクル可能です。リサイクル前にそれぞれの部品は分別して回収されなければなりません。多くの国でHilti は、古い工具をリサイクルのために回収しています。詳細については弊社営業担当またはHilti 代理店・販売店にお尋ねください。



- ▶ 電動工具、電子機器およびバッテリーを一般ゴミとして廃棄してはなりません！

## 12 メーカー保証

- ▶ 保証条件に関するご質問は、最寄りのHilti 代理店・販売店までお問い合わせください。

## 13 その他の情報

ご使用方法、技術、環境保護およびリサイクルに関するその他の情報については、[qr.hilti.com/manual/?id=2252233&id=2252235&id=2251374](http://qr.hilti.com/manual/?id=2252233&id=2252235&id=2251374) のリンクをご確認ください。

このリンクは、本書の巻末にも QR コードとして記載されています。

## 오리지널 사용 설명서

### 1 사용 설명서 관련 정보

#### 1.1 본 사용 설명서에 관하여

- 경고! 제품을 사용하기 전에, 제품과 함께 제공되는 사용 설명서와 설명서에 제시된 지침, 안전상의 주의사항 및 경고사항, 그림 및 사양 등을 잘 읽고 이해해야 합니다. 특히 모든 지침, 안전상의 주의사항 및 경고사항, 그림, 사양과 구성 요소 및 기능을 숙지해야 합니다. 유의하지 않을 경우, 감전, 화재 발생 및/또는 중상을 입을 위험이 있습니다. 추후 사용 시에도 활용할 수 있도록 관련 지침, 안전상의 주의사항 및 경고사항이 포함된 사용 설명서를 잘 보관하십시오.
- 제품은 전문가용으로 설계되어 있으며, 해당 교육을 이수한 공인된 작업자를 통해서만 조작, 유지보수 및 수리 작업을 진행할 수 있습니다. 이 기술자는 발생할 수 있는 위험에 대해 특별 교육을 받은 상태여야 합니다. 교육을 받지 않은 사람이 제품을 부적절하게 취급하거나 규정에 맞지 않게 사용할 경우에는 기기와 그 보조기구에 의해 부상을 당할 위험이 있습니다.
- 함께 제공되는 사용 설명서는 인쇄 시점의 최신 기술 버전을 반영하여 작성됩니다. 최신 버전은 항상 Hilti 제품 사이트의 온라인 버전을 참조하십시오. 온라인 버전을 참고하고자 할 경우, 본 사용 설명서에 제시된 링크 혹은 기호로 표시된 QR 코드를 클릭하십시오.
- 제품을 다른 사람에게 양도할 때는 본 사용 설명서도 반드시 함께 넘겨주십시오.

#### 1.2 기호 설명

##### 1.2.1 경고사항

본 제품을 다루면서 발생할 수 있는 위험에 대한 경고사항. 다음과 같은 시그널 워드가 사용됩니다.

### 위험

위험!

- ▶ 이 기호는 직접적인 위험을 표시합니다. 만약 지키지 않으면 심각한 부상을 당하거나 사망할 수도 있습니다.



**경고**

경고!

- ▶ 이 기호는 잠재적인 위험을 표시합니다. 만약 지키지 않으면 심각한 부상을 당하거나 사망할 수도 있습니다.







**주의**

주의!

- ▶ 이 기호는 잠재적인 위험 상황을 표시합니다. 만약 지키지 않으면 부상 또는 물적 손실을 입을 수 있습니다.




**1.2.2 사용 설명서에 사용된 기호**

본 사용 설명서에서 사용되는 기호는 다음과 같습니다.

	사용 설명서에 유의하십시오
	적용 지침 및 기타 유용한 사용정보
	재사용이 가능한 자재 취급방법
	전기 기기 및 배터리를 일반 가정의 쓰레기처럼 폐기해서는 안 됨
	<b>Hilti</b> 리튬 이온 배터리
	<b>Hilti</b> 충전기

**1.2.3 그림에 사용된 기호**



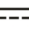



그림에 다음과 같은 기호가 사용됩니다.

	이 숫자는 본 사용 설명서 첫 부분에 있는 해당 그림을 나타냅니다.
3	매겨진 숫자는 작업 단계의 순서를 나타내며, 텍스트에 매겨진 작업 단계와 차이가 있을 수 있습니다.
	항목 번호는 개요 그림에서 사용되며, 제품 개요 단락에 나와 있는 기호 설명 번호를 나타냅니다.
	이 표시는 제품을 다룰 때, 특별히 주의할 사항을 나타냅니다.

**1.3 제품 관련 기호**

**1.3.1 제품에 사용된 기호**

제품에 사용되는 기호는 다음과 같습니다.

	보안경 착용
$n_0$	무부하 회전속도
/min	분당 회전수
RPM	분당 회전수
	직경
	직류
	절단 작업 시 표준 커버를 이용해 작업하지 않도록 하십시오.
	항상 양손으로 작업하십시오.
	본 제품은 iOS 및 Android 플랫폼과 호환 가능한 NFC 기술을 지원합니다.



Li-Ion	리튬이온 배터리
	배터리는 절대 타격 공구로 사용해서는 안 됩니다.
	배터리를 떨어뜨리지 마십시오. 타격을 받은 적이 있거나 다른 손상이 있는 배터리는 사용하지 마십시오.

#### 1.4 제품 정보

**HILTI** 제품은 전문가용으로 설계되어 있으며, 해당 교육을 이수한 공인된 작업자를 통해서만 조작, 유지 보수 및 수리 작업을 진행할 수 있습니다. 이 기술자는 발생할 수 있는 위험에 대해 특별 교육을 받은 상태여야 합니다. 교육을 받지 않은 사람이 제품을 부적절하게 취급하거나 규정에 맞지 않게 사용할 경우에는 기기와 그 보조기구에 의해 부상을 당할 위험이 있습니다.

형식 명칭 및 일련 번호는 형식 라벨에 제시되어 있습니다.

- ▶ 일련 번호를 다음의 표에 옮기십시오. 대리점 또는 서비스 센터에 문의할 경우 제품 제원이 필요합니다.

제품 제원

충전 앵글 그라인더	AG 4S-22-100
세대	02
일련 번호	

#### 1.5 적합성 선언

본 제조사는 단독 책임 하에 여기에 기술된 제품이 적용되는 법 규정 및 규범과 일치함을 밝힙니다. 적합성 증명서 사본은 본 문서 끝 부분에서 확인할 수 있습니다.

기술 문서는 이곳에 기술되어 있습니다.

Hilti Entwicklungsgesellschaft mbH | Zulassung Geräte | Hiltistraße 6 | 86916 Kaufering, DE

## 2 안전

### 2.1 전동 공구에 대한 일반적인 안전상의 주의사항

**⚠ 경고** 해당 전동 공구와 함께 동봉된 모든 안전상의 주의 사항, 지침, 그림 및 기술자료를 숙지하십시오. 다음과 같은 지침 내용을 준수하지 않으면 전기 충격, 화재가 발생하거나 그리고/또는 중상을 입을 수 있습니다. 앞으로 모든 안전상의 주의사항과 지침을 보관하십시오.

안전상의 주의사항에서 사용되는 "전동 공구"라는 개념은 전원에 연결하여 사용하는 전동 공구(전원 케이블 있음) 또는 배터리를 사용하는 전동 공구(전원 케이블 없음)를 의미합니다.

작업장 안전수칙

- ▶ 작업장을 항상 깨끗이 하고 조명이 잘 들도록 하십시오. 어수선한 작업환경 또는 어두운 작업장은 사고를 초래할 수 있습니다.
- ▶ 인화성 액체, 가스 또는 먼지가 있어 폭발 위험이 있는 환경에서는 전동 공구를 사용하지 마십시오. 전동 공구는 먼지나 증기를 점화시킬 수 있는 스파크를 일으킵니다.
- ▶ 전동 공구를 사용할 때, 어린이들이나 다른 사람들이 작업장에 접근하지 못하도록 하십시오. 다른 사람의 방해로 인해 기기를 통제하기 어렵습니다.

전기에 관한 안전수칙

- ▶ 전동 공구의 전원 플러그가 소켓에 잘 끼워져야 합니다. 플러그를 절대 변형시켜서는 안됩니다. 접지된 전동 공구와 함께 아답타 플러그를 사용하지 마십시오. 변형되지 않은 플러그와 적합한 소켓을 사용하면 감전의 위험을 줄일 수 있습니다.
- ▶ 파이프, 히터, 전기레인지, 냉장고와 같은 접지 표면에 신체 접촉을 피하십시오. 신체에 닿을 경우 감전될 위험이 높습니다.
- ▶ 전동 공구가 비에 맞지 않도록 하고 습한 장소에 두지 마십시오. 전동 공구에 물이 들어가면 감전될 위험이 높습니다.
- ▶ 전원 케이블만 잡고 전동 공구를 운반하거나 걸어 놓아서는 안되며, 소켓에서 전원 플러그를 빼낼 때 케이블만 잡은 채로 빼내지 마십시오. 전원 케이블이 열, 오일, 날카로운 모서리 또는 부품의 가동 부위에 접촉하지 않도록 주의하십시오. 손상되거나 서로 꼬인 전원 케이블은 감전 위험을 높입니다.
- ▶ 실외에서 전동 공구를 이용하여 작업할 때, 실외용으로 승인된 연장 케이블만 사용하십시오. 실외용 연장 케이블을 사용하면 감전의 위험을 줄여줍니다.
- ▶ 전동 공구를 습한 환경에서 사용하는 것을 피할 수 없을 경우, 누전 차단기를 사용하십시오. 누전 차단기를 사용하면 감전 위험을 줄일 수 있습니다.



## 사용자 안전수칙

- ▶ 신중하게 작업하십시오. 작업에 정신을 집중하고 전동 공구를 사용할 때 경솔하게 행동하지 마십시오. 피곤하거나 항정신성 약물, 술 또는 약을 복용시에는 전동 공구를 사용하지 마십시오. 전동 공구 사용 시 이에 유의하지 않을 경우 심각한 부상을 초래할 수 있습니다.
- ▶ 안전 장비를 갖추고 보안경을 착용하십시오. 전동 공구의 종류와 사용에 따라, 먼지 보호 마스크, 미끄럼 방지용 안전 신발, 안전모 또는 귀마개 등과 같은 안전한 보호장비를 착용하면 부상의 위험을 줄일 수 있습니다.
- ▶ 실수로 기기가 작동하지 않도록 주의하십시오. 전동 공구를 전원 그리고/또는 배터리에 연결하기 전, 보관 또는 운반 전에 전동 공구가 스위치 OFF 상태인지 확인하십시오. 전동 공구 운반 시 스위치에 손가락을 대거나 스위치가 켜진 상태에서 전원을 연결하면 사고를 유발할 수 있습니다.
- ▶ 전동 공구의 스위치를 켜기 전, 조정공구 또는 렌치를 제거하십시오. 기기 회전부에 남아있는 공구나 렌치로 인해 부상을 입을 수 있습니다.
- ▶ 작업 시 비정상적인 자세는 피하십시오. 안전한 작업자세가 되도록 하고, 항상 균형을 유지하십시오. 이렇게 하여 예기치 않은 상황에서도 전동 공구를 잘 제어할 수 있습니다.
- ▶ 적합한 작업복을 착용하십시오. 헐렁한 복장이나 장식품을 착용하지 마십시오. 작동하는 기기 가동 부위에 머리, 옷 그리고 장갑이 가까이 닿지 않도록 주의하십시오. 헐렁한 복장, 장식품 혹은 긴 머리가 가동 부위에 밀려 들어갈 수 있습니다.
- ▶ 먼지 제거장치나 수거장치를 설치할 수 있는 기기의 경우, 이 장치들이 연결되어 있는지 그리고 제대로 작동되는지를 확인하십시오. 먼지 포집장치 사용은 먼지로 인한 위험을 줄여줄 수 있습니다.
- ▶ 이 전동 공구를 여러번 사용해왔다고 해서 안전하다고 안심하지 말고 전동 공구에 해당하는 안전 규칙을 무시하지 마십시오. 부주의하게 행할 경우 아주 짧은 순간에 중상을 입을 수 있습니다.

## 전동 공구의 취급과 사용

- ▶ 기기에 과부하가 걸리지 않도록 하십시오. 귀하의 작업에 적합한 전동 공구를 사용하십시오. 적합한 전동 공구를 사용하면, 지정된 성능 한도 내에서 더 효율적으로 안전하게 작업할 수 있습니다.
- ▶ 스위치가 고장난 전동 공구는 사용하지 마십시오. 스위치가 작동되지 않는 전동 공구는 위험하므로, 반드시 수리를 해야 합니다.
- ▶ 기기 세팅을 실행, 액세서리를 교환 또는 기기를 보관하기 전에 컨택터를 전원소켓에서 그리고/또는 탈착식 배터리를 기기에서 빼놓으십시오. 이러한 조치는 실수로 전동 공구가 작동하지 않도록 방지합니다.
- ▶ 사용하지 않는 전동 공구는 어린이들의 손이 닿지 않는 곳에 보관하십시오. 기기 사용에 익숙치 않거나 또는 이 안전수칙을 읽지 않은 사람이 기기를 사용해서는 안 됩니다. 비숙련자가 전동 공구를 사용하면 위험합니다.
- ▶ 전동 공구 및 액세서리를 유의해서 관리하십시오. 기기의 가동 부위가 완벽하게 작동하는지, 끼어 있지 않은지, 혹은 부품이 손상되거나 파손되어 있어 전동 공구의 기능을 저하시키지 않는지 점검하십시오. 기기 사용 전 손상된 부품을 수리하도록 하십시오. 제대로 관리되지 않은 전동 공구는 많은 사고를 유발합니다.
- ▶ 절단기기는 날카롭고 깨끗하게 관리하십시오. 날카로운 절단면이 있고 잘 관리된 절단기기는 끼이는 경우가 드물고 조절하기도 쉽습니다.
- ▶ 본 지침에 따라 전동 공구, 액세서리, 공구 비트 등을 사용하십시오. 이 때 작업 조건과 실시하려는 작업 내용을 고려하십시오. 원래 사용 분야가 아닌 다른 작업에 전동 공구를 사용할 경우, 위험한 상황을 초래할 수 있습니다.
- ▶ 손잡이 및 손잡이 표면은 건조하고 깨끗하게, 그리고 오일과 그리스가 묻어있지 않도록 해야 합니다. 미끄러운 손잡이 및 손잡이 표면은 예상치 못한 상황에서 전동 공구를 안전하게 조작하고 제어할 수 없습니다.

## 배터리 공구의 취급과 사용

- ▶ 제조회사가 권장한 충전기에만 배터리를 충전시키십시오. 특정한 형식의 배터리를 사용하도록 규정되어 있는 충전기에 다른 배터리를 사용할 경우 화재 발생의 위험이 있습니다.
- ▶ 전동 공구에 적합하게 규정된 배터리만 사용하십시오. 다른 배터리를 사용하면 부상을 입을 수 있고, 화재가 발생할 수 있습니다.
- ▶ 배터리를 사용하지 않을 경우 클립, 동전, 키, 못, 나사 또는 다른 소형 금속 물질로부터 사용하지 않는 배터리를 멀리 떨어뜨려 놓아주십시오. 배터리 간 단락으로 인한 연소 또는 화재를 초래할 수 있습니다.
- ▶ 잘못 사용할 경우, 배터리로부터 전해액이 흘러나올 수 있습니다. 전해액을 직접 만지지 마십시오. 실수로 만졌을 경우, 물로 씻으십시오. 전해액이 눈에 들어갔으면, 의사와 상담하십시오. 배터리로부터 흘러나온 전해액은 피부를 손상시킬 수 있으며, 화재를 발생시킬 수 있습니다.
- ▶ 손상된 배터리 또는 변경된 배터리를 사용하지 마십시오. 손상된 배터리 또는 변경된 배터리는 예상치 못한 상황 및 화재, 폭발 또는 부상 위험을 초래할 수 있습니다.
- ▶ 배터리에서 불꽃이 발생하거나 또는 배터리가 너무 높은 온도에 노출되지 않게 하십시오. 불꽃 또는 온도가 130 °C (265 °F)를 넘으면 폭발을 일으킬 수 있습니다.
- ▶ 충전에 관한 모든 지침을 준수하여 배터리 또는 배터리 공구를 절대 사용 설명서에 제시된 범위를 벗어난 온도에서 충전하지 마십시오. 잘못 충전하거나 허용된 범위를 벗어난 온도에서 충전하면 배터리가 파손되어 화재 발생 위험이 높아질 수 있습니다.



## 서비스

- ▶ 전동 공구는 반드시 자격을 갖춘 전문가에 의해 그리고 순정 대체부품만 이용하여 수리해야 합니다. 이렇게 하여 기기의 안전성을 계속해서 유지할 수 있습니다.
- ▶ 손상된 배터리를 절대 수리하지 마십시오. 배터리 수리는 제조회사 또는 권한을 위임받은 고객 서비스센터에서만 이루어져야 합니다.

## 2.2 모든 작업에 대한 안전상의 주의사항

연삭, 사포 연삭, 와이어 브러시를 사용한 작업, 풀리싱 및 연삭 절단에 대한 일반 안전상의 주의사항:

- ▶ 이 전동 공구는 그라인딩, 사포 그라인딩, 와이어 브러시, 연마기, 홀 커터 및 절단 그라인더로 사용할 수 있습니다. 기기와 함께 공급되는 모든 안전상의 주의사항, 지침, 그림 및 기술자료에 유의하십시오. 다음 지침에 유의하지 않을 경우, 전기 쇼크, 화재 및 심각한 부상을 입을 수 있습니다.
- ▶ 본 전동 공구를 개조하여 공구 제조회사에서 전용 작업으로 설계 및 명시하지 않은 방식으로 사용하지 마십시오. 이렇게 개조하여 사용할 경우 통제력을 잃고 심각한 부상을 유발할 수 있습니다.
- ▶ 제조회사가 해당 전동 공구 전용으로 개발하지 않았거나 허용하지 않은 액세서리를 사용하지 마십시오. 액세서리는 전동 공구에 고정된 가능하기 때문에 안전한 사용은 보장되지 않습니다.
- ▶ 공구 비트의 허용 회전속도는 최소한 전동 공구에 제시된 최고 회전속도보다 높아야 합니다. 허용범위보다 빠르게 회전하는 액세서리는 파손되거나 분리될 수 있습니다.
- ▶ 공구 비트의 외경과 두께는 전동 공구의 치수 제한에 부합해야 합니다. 제한에 맞지 않는 공구 비트는 충분히 차폐, 제어할 수 없습니다.
- ▶ 나사부가 있는 공구 비트는 연삭 스피들의 나사부와 정확히 일치해야 합니다. 플랜지를 이용하여 장착되는 공구 비트의 경우, 공구 비트 구멍의 지경이 플랜지의 조립 직경과 일치해야 합니다. 전동 공구에 정확하게 고정되지 않은 공구 비트는 불규칙하게 회전하고 아주 강하게 진동하므로 사용자가 조절력을 상실할 수 있습니다.
- ▶ 손상된 공구 비트를 사용하지 마십시오. 매번 사용하기 전에, 그라인딩 디스크와 같은 공구 비트를 파손 및 균열에 대해, 그라인딩 플레이트를 균열, 마모 및 심한 마모에 대해, 와이어 브러시를 풀림 또는 와이어 파손에 대해 점검하십시오. 전동 공구 또는 공구 비트를 떨어뜨린 경우, 손상되었는지 점검하고 손상되지 않은 공구 비트를 사용하지 마십시오. 공구 비트를 점검하고 설치할 경우, 작업자와 그 주변 사람들이 회전하고 있는 공구 비트에서 떨어지도록 한 뒤 기기를 1분 동안 최고 회전속도로 작동시키십시오. 손상된 공구 비트는 대부분 테스트 시간 동안 분리됩니다.
- ▶ 개인 보호장비를 착용하십시오. 기기를 사용할 때마다 완벽한 안전 보호장비 또는 보안경을 착용하십시오. 방진 마스크, 귀마개, 보호장갑 또는 특수 보호복 착용은 연삭 및 자재 미립자로부터 사용자를 보호합니다. 작업 시 발생하는 이물질이 눈에 들어가지 않도록 하십시오. 먼지를 발생시키는 작업 시 방진 마스크 또는 보호 마스크를 반드시 착용해야 합니다. 장시간 심한 소음에 노출될 경우 청각을 상실할 수 있습니다.
- ▶ 다른 사람이 작업장에서 안전한 거리를 확보하고 있는지 유의하십시오. 작업장에 있는 모든 사람은 개인 보호장비를 착용해야 합니다. 공작물의 부품 파편 또는 파손된 공구 비트가 멀리까지 날아갈 수 있으므로 직접 작업장에 있지 않아도 부상을 입을 수 있습니다.
- ▶ 숨겨진 전선에 공구 비트가 닿게 되는 작업을 실행할 경우, 항상 기기의 절연된 손잡이 부분을 잡으십시오. 전류가 흐르는 전선과 접촉하면 전동 공구의 금속 부위를 통해 감전이 될 수도 있습니다.
- ▶ 절대 공구 비트가 완전히 정지하기 전에 전동 공구를 내려놓지 마십시오. 회전하는 공구 비트가 표면에 닿으면 전동 공구의 통제력을 상실할 수 있습니다.
- ▶ 전동 공구를 운반하는 동안 작동시키지 않도록 하십시오. 의도하지 않게 옷이 회전하는 공구 비트에 말려 들어가, 이로 인해 신체에 부상을 입을 수 있습니다.
- ▶ 전동 공구의 환기 슬롯을 정기적으로 청소하십시오. 모터 블로어가 먼지를 하우징으로 끌어당기고 금속 먼지가 많이 축적되면 전기적 위험이 발생할 수 있습니다.
- ▶ 가연성 자재 근처에서 전동 공구를 사용하지 마십시오. 스파크로 인해 가연성 물질이 연소될 수 있습니다.
- ▶ 액상 냉각제를 필요로 하는 공구 비트를 사용하지 마십시오. 물 또는 기타 액상 냉각제를 사용하면 전기 쇼크를 일으킬 수 있습니다.

### 반동 현상과 안전상의 주의사항

반동 현상은 공구 비트(그라인딩 디스크, 그라인딩 플레이트, 와이어 브러시 등)가 회전하면서 끼이거나 막힘으로 인해 발생하는 갑작스러운 반동으로, 회전하는 공구 비트가 갑자기 멈추게 됩니다. 이로 인해 제어되지 않은 전동 공구가 공구 비트의 회전대방향으로 가속됩니다.

예를 들어 그라인딩 디스크가 금속 제품에 끼이거나 블로킹 될 경우, 금속 제품에 그라인딩 디스크가 걸려 디스크가 손상되거나 반동을 유발합니다. 그라인딩 디스크는 블로킹 위치에서 디스크의 작동 방향에 따라 사용자가 있는 방향 또는 반대방향으로 움직이게 됩니다. 이때 그라인딩 디스크가 파손될 수 있습니다.

반동은 전동 공구의 잘못된 또는 결함이 있는 사용으로 인해 발생합니다. 반동 현상은 다음에서 설명하는 것과 같은 적절한 예방책을 통해 예방할 수 있습니다.

- ▶ 전동 공구를 양손으로 확실하게 고정시키고 신체와 팔을 기기의 반동력을 억제할 수 있는 위치에 놓으십시오. 기기 작동 시 반동력 또는 반동 토크에 대항하여 최대한 기기를 통제할 수 있도록, 보조 손잡이가 장



착되어 있을 경우 항상 이를 사용하십시오. 작업자는 적절한 예방 대책으로 반동력과 반응력을 통제할 수 있어야 합니다.

- ▶ 절대로 회전하는 공구 비트에 손을 가까이 하지 마십시오. 반동 시 공구 비트가 작업자의 손 위로 튀 수 있습니다.
- ▶ 반동 시 전동 공구가 작동하는 영역에 가까이 접근하지 않도록 하십시오. 반동으로 인해 전동 공구는 고정된 위치에서 그라인딩 디스크의 운동 방향과는 반대 방향으로 튀게 됩니다.
- ▶ 구석, 날카로운 모서리 등에서 작업할 때 특히 주의하십시오. 공구 비트가 공작물로부터 되튀거나 끼이지 않도록 하십시오. 회전하는 공구 비트는 구석, 날카로운 모서리에서 기울어지거나 튀어오를 경우, 고착되어 움직이지 않게 되기 쉽습니다. 이와 같은 현상이 통제력 상실 또는 반동의 원인이 됩니다.
- ▶ 체인 톨날 또는 치형 톨날 및 슬롯 폭이 10 mm를 넘는 분할된 다이아몬드 디스크를 사용하지 마십시오. 이러한 공구 비트는 자주 반동을 일으키거나 또는 전동 공구에 대한 통제력 상실의 원인이 될 수 있습니다.

#### 연삭 및 연삭 절단에 대한 안전상의 주의사항:

- ▶ 전동 공구용으로 허용된 그라인딩 엘리먼트와 그라인딩 엘리먼트용으로 적합한 안전반만 사용하십시오. 전동 공구용으로 규정되지 않은 그라인딩 엘리먼트는 충분히 차폐될 수 없으며 안전하지 않습니다.
- ▶ 직각으로 굽은 연삭수들은 연삭면이 안전반의 가장자리에서 돌출되지 않도록 설치되어야 합니다. 안전반의 가장자리에 돌출되어 부적절하게 설치된 연삭수들은 충분히 단열되지 않습니다.
- ▶ 안전반은 가장 작은 그라인딩 엘리먼트가 사용자를 향하도록 전동 공구에 안전하게 설치되어야 합니다. 안전반은 사용자를 파손 부품, 그라인딩 엘리먼트와의 접촉을 막고, 작업복을 볼태울 수 있는 스파크로부터 보호합니다.
- ▶ 그라인딩 엘리먼트는 허용하는 용도로만 사용해야 합니다. 예: 어떠한 경우에도 커팅 디스크의 측면으로 그라인딩하지 마십시오. 커팅 디스크는 디스크의 모서리로 재료를 커팅하도록 규정되어 있습니다. 이 그라인딩 엘리먼트의 측면에 작용하는 힘은 그라인딩 엘리먼트를 파손시킬 수 있습니다.
- ▶ 선택한 그라인딩 디스크용으로 항상 정확한 크기와 형태의 손상되지 않은 고정 플랜지를 사용하십시오. 적합한 플랜지는 그라인딩 디스크를 보호하고 그라인딩 디스크 파손의 위험을 감소시킵니다. 커팅 디스크용 플랜지는 다른 그라인딩 디스크용 플랜지와 구분할 수 있습니다.
- ▶ 대형 전동 공구에서는 마모된 그라인딩 디스크를 사용하지 마십시오. 대형 전동 공구용 그라인딩 디스크는 소형 전동 공구의 고속 작업용으로 설계되어 있지 않으며, 파손될 수 있습니다.
- ▶ 사용 가능한 그라인딩 엘리먼트를 두 배로 사용하는 경우, 상당 해당 작업 전용으로 지정된 안전반을 사용하십시오. 잘못된 안전반을 사용하면 보호 기능을 충분히 발휘하지 못해 중상을 입을 수 있습니다.

#### 연삭 절단에 대한 기타 안전상의 주의사항:

- ▶ 커팅 디스크가 블로킹되거나 너무 높은 압착력을 받지 않도록 하십시오. 과도하게 깊어 절단하지 마십시오. 커팅 디스크의 과부하로 인해 디스크의 부하 및 블로킹 또는 기울기에 대한 민감도가 상승하여 반동되거나 그라인딩 엘리먼트가 파손될 수 있습니다.
- ▶ 회전하는 커팅 디스크의 앞 또는 뒤 영역에서 서 있지 마십시오. 공작물에서 커팅 디스크가 움직이면, 반동 시 회전하는 디스크와 함께 전동 공구가 바로 작업자쪽으로 미끄러질 수 있습니다.
- ▶ 커팅 디스크가 끼이거나 또는 작업이 중단될 경우, 기기를 차단하고 디스크가 정지할 때까지 그대로 두십시오. 여전히 작동하고 있는 커팅 디스크를 절단 부위에서 빼내려고 하지 마십시오. 반동이 일어날 수 있습니다. 끼임 현상의 원인을 확인하고 제거하십시오.
- ▶ 전동 공구가 공작물 안에 있을 경우, 전동 공구를 다시 켜지 마십시오. 절단을 조심스럽게 계속 진행하기 전에 먼저 커팅 디스크가 완전한 회전속도에 도달하도록 하십시오. 그렇지 않을 경우 디스크가 인터록크 되고 공작물로부터 튀어오르거나 또는 반동이 일어날 수 있습니다.
- ▶ 커팅 디스크의 끼임에 의한 반동의 위험을 최소화하기 위해 패널 또는 대형 공작물을 지지하십시오. 대형 공작물은 자체 중량으로 인해 휘어질 수 있습니다. 디스크 양쪽, 즉 절단 부위 근처와 가장자리 쪽에서 공작물을 받쳐줘야 합니다.
- ▶ 기존 벽이나 그 외 보이지 않는 영역에서 "삽입 절단" 시에 특히 주의를 기울이십시오. 삽입식 커팅 디스크는 가스 라인 또는 워터 라인, 전기 배선 또는 다른 물체에서 절단 시 반동의 원인이 될 수 있습니다.
- ▶ 곡선형으로 절단하지 마십시오. 커팅 디스크의 과부하로 인해 디스크의 부하 및 블로킹 또는 기울기에 대한 민감도가 상승하여 반동되거나 그라인딩 엘리먼트가 파손되어 중상을 입을 수 있습니다.

#### 사포 연삭에 대한 안전상의 주의사항:

- ▶ 적합한 크기의 그라인딩 시트를 사용하십시오. 그라인딩 시트에 대한 제조회사 설명서를 준수하십시오. 그라인딩 플레이트보다 더 넓은 그라인딩 시트는 부상을 초래할 수 있을 뿐만 아니라 그라인딩 디스크의 블로킹, 파손 또는 반동을 유발할 수 있습니다.

#### 폴리싱 작업에 대한 특별한 안전상의 주의사항:

- ▶ 폴리싱 후드에 풀려 있는 부품이 없도록, 특히 고정 끈이 풀려 있지 않도록 하십시오. 고정 끈을 보관하거나 길이를 줄이십시오. 느슨한 고정 끈이 함께 돌아가면서 손가락에 잡히거나 작업물에 걸릴 수 있습니다.

#### 와이어 브러시 작업에 대한 안전상의 주의사항:

- ▶ 와이어 브러시는 정상적으로 사용되는 동안에도 와이어가 떨어져 나간다는 점에 유의하십시오. 너무 높은 압착력으로 와이어에 큰 부하를 가하지 마십시오. 떨어져 비산되는 와이어는 아주 가벼워 얇은 옷을 뚫고 들어가거나 또는 피부에 박힐 수 있습니다.





- ▶ 안전반 사용을 규정하였을 경우, 안전반과 와이어 브러시를 직접 손으로 만지지 않도록 하십시오. 접시형 브러시와 냄비형 브러시는 압착력과 원심력에 의해 그 직경이 더 커질 수 있습니다.

### 2.3 그 외의 안전상의 주의사항

#### 사용자 안전수칙

- ▶ 기술적 하자가 없는 상태에서만 제품 및 액세서리를 사용하십시오.
- ▶ 어떠한 경우에도 제품 또는 액세서리를 변경하거나 개조하지 마십시오.
- ▶ 항상 양손으로 제품의 손잡이를 잡고 공구를 고정시키십시오. 손잡이는 건조하고 깨끗하게, 그리고 오일과 그리스가 묻어있지 않도록 해야 합니다.
- ▶ 먼지를 발생시키는 작업을 할 때, 먼지 포집장치 없이 제품을 작동시킬 경우에는 보호 마스크를 착용해야 합니다.
- ▶ 손가락의 혈액순환이 잘 되도록 자주 휴식시간을 갖고, 휴식하는 동안 손가락 운동을 하십시오. 장시간 작업하면 강한 진동으로 인해 혈관 장애 또는 손가락, 손 및 손목의 신경 체계에 이상이 있을 수 있습니다.
- ▶ 회전하는 부품에 접촉하지 않도록 하십시오. 제품을 작업장으로 가져온 후에 기기의 전원을 켜십시오. 회전하는 부품들, 특히 회전하는 공구들에 접촉하면 부상을 당할 수 있습니다.
- ▶ 제품을 내려놓기 전에 제품이 완전히 정지할 때까지 기다리십시오.
- ▶ 본 제품은 교육을 받지 않은 약자가 사용할 수 없습니다. 어린이의 손에 닿지 않는 곳에 제품을 보관하십시오.
- ▶ 샌딩, 연마, 절단 및 드릴링 작업 시 발생하는 먼지에는 위험한 화학물질이 함유되어 있을 수 있습니다. 예를 들어 납 또는 납 계열의 페인트, 벽돌, 콘크리트 및 기타 조적 벽돌 제품, 자연석 및 기타 실리콘 함유 제품, 참나무, 너도밤나무 및 화학 처리된 목재 등과 같은 특정 목재, 석면 또는 석면이 함유된 자재 등이 있을 수 있습니다. 작업하는 자재의 위험 등급을 따라 조각자 및 주변에 있는 사람들의 노출 정도를 결정하십시오. 안전한 수준에서 노출이 이루어질 수 있도록 예를 들어 먼지 포집장치 사용 또는 적합한 보호 마스크 착용 등 필요한 조치를 취하십시오. 노출을 줄일 수 있는 일반적인 조치:
  - ▶ 환기가 잘 되는 곳에서 작업하기,
  - ▶ 장시간 먼지 접촉 피하기,
  - ▶ 얼굴 및 신체의 먼지를 다른 곳으로 털어내기,
  - ▶ 보호복장 착용 및 노출된 영역을 비누와 물로 세척하기.
- ▶ 제품을 사용하는 동안 사용자와 그 근처에 있는 사람들은 보안경, 안전모 및 귀마개를 사용해야 합니다.
- ▶ 공구 교체 시 보호장갑을 착용하십시오. 공구 비트에 닿으면 부상을 입거나 화상을 당할 수 있습니다.
- ▶ 떨어지는 공구 및/또는 액세서리로 인한 부상 위험. 작업을 시작하기 전에 배터리 및 설치된 액세서리가 안전하게 고정되어 있는지 확인하십시오.
- ▶ 환기 슬롯은 항상 가려져 있지 않게 하십시오. 숨겨진 환기 슬롯으로 인한 화상 위험!
- ▶ 제품을 작업 위치로 가져온 후에만 제품의 전원을 켜십시오.
- ▶ 제품을 내려놓기 전에 제품이 완전히 정지할 때까지 기다리십시오.
- ▶ 제품이 작동 한계에 다다른거나 배터리가 방전되었을 경우, 공구가 모터로 제동이 걸리지 않습니다.
- ▶ 제품에 어떠한 벨트 후크도 고정시키지 마십시오.

#### 전동 공구의 올바른 사용방법과 취급방법

- ▶ 그라인딩 디스크는 제조회사 지침에 따라 주의하여 보관하고 취급해야 합니다.
- ▶ 보호캡 없는 절단 제품을 사용하지 마십시오.
- ▶ 작업중인 물체를 고정시키십시오. 작업물(물체)을 움직이지 않게 고정시키도록 클램프 또는 바이스를 사용하십시오. 그렇게 함으로써 손으로 고정하는 것보다 더 안전하게 고정할 수 있을 뿐만 아니라, 양손을 제품 조작에 자유롭게 사용할 수 있습니다.
- ▶ 항상 작업을 위해 커팅 디스크를 사용하지 마십시오.
- ▶ 공구 비트와 플랜지를 단단하게 조이십시오. 공구 비트와 플랜지를 단단하게 조이지 않을 경우, 스위치를 끄면 기기가 멈추면서 기기 모터로 인해 공구 비트가 스펀들로부터 풀릴 수 있습니다.

#### 전기에 관한 안전수칙

- ▶ 작업을 시작하기 전에, 작업장에서 가려져 있거나 덮혀 있는 전기 배선, 가스 파이프 그리고 하수도관이 있는지를 점검하십시오. 전기 배선, 가스 파이프 또는 하수도관을 손상시킨 경우, 제품 바깥쪽에 있는 금속 부품에서 감전 또는 폭발을 유발할 수 있습니다.
- ▶ 전도성이 있는 소재에서 자주 작업할 경우, 오염된 제품을 정기적으로 Hilti 서비스 센터에서 점검받으십시오. 특히 전도성이 있는 재료에서 기기의 표면에 달라 붙어있는 먼지나 습기는 작업자의 기기조작을 어렵게 하며, 부적합한 조건에서는 전기 쇼크까지도 일으킬 수 있습니다.

#### 작업장

- ▶ 천공 작업 시, 작업할 부분의 반대편이 안전하게 조치를 취하십시오. 천공 시 발생하는 분쇄물이 빠져 나옴이나 또는 떨어지면서 다른 사람이 부상을 입을 수 있습니다.



- ▶ 벽의 홈 또는 다른 구조물에 드릴링 작업하는 것은 구조물의 안전에 영향을 미칠 수 있습니다(특히 보강철근 또는 부하지요소를 절단시). 작업을 시작하기 전에 담당 엔지니어, 건축가 또는 담당 건축 감독에게 문의하십시오.

#### 보호캡 사용 관련 추가 지침

위험이 뒤따르지 않도록 항상 맞맞은 보호캡을 사용하십시오(관련 단원: "사용한 장비에 디스크 배정" 참조).

- ▶ 평면 샌딩에 전면 커버가 있는 표준 보호 캡을 사용할 경우 보호 캡이 가공물에 닿아 조절력을 상실할 수 있습니다.
- ▶ 와이어 브러쉬 사용 시 와이어 브러쉬의 두께가 허용되는 최대 두께를 초과하는 경우, 보호캡에서 와이어가 걸리거나 파손될 수 있습니다.
- ▶ 연마성 커팅 디스크와 함께 금속 연삭 절단용 표준 보호캡 사용 시 불꽃 및 미립자 발생 위험이 있으며, 디스크 파손 시 디스크 파편에 노출될 수 있습니다.
- ▶ 콘크리트 또는 조적 벽돌 절단 및 연삭용 전면 커버가 장착/미장착된 표준 보호캡 사용 시 먼지 발생이 늘고 제품에 대한 통제력을 상실하여 이로 인해 반동이 유발될 수 있습니다.

## 2.4 배터리의 올바른 사용방법과 취급방법

- ▶ 리튬 이온 배터리를 보다 안전하게 취급하고 사용할 수 있도록 다음과 같은 안전상의 주의 사항에 유의하십시오. 유의하지 않을 경우 피부 자극, 심각한 부식성 부상, 화학 화상, 화재 및/또는 폭발을 유발할 수 있습니다.
- ▶ 기술적 하자가 없는 상태에서에만 배터리를 사용하십시오.
- ▶ 배터리를 조심히 다루어 손상되지 않고, 건강에 유해한 액체가 흘러나오지 않게 하십시오!
- ▶ 배터리는 어떠한 경우에도 개조 또는 변조해서는 안 됩니다!
- ▶ 배터리를 분해하거나 강한 압력 또는 80 °C (176 °F) 이상의 열을 가하거나 연소시켜서는 안 됩니다.
- ▶ 타격을 받은 적이 있거나 다른 손상이 있는 배터리는 사용 또는 충전하지 마십시오. 손상될 기미가 보이는 지 정기적으로 점검하십시오.
- ▶ 재활용 또는 수리한 배터리는 절대 사용하지 마십시오.
- ▶ 배터리 또는 배터리 구동식 전동 공구를 절대 타격 공구로 사용하지 마십시오.
- ▶ 배터리가 직사광선, 고온, 스파크 또는 불꽃에 절대 노출되지 않도록 하십시오. 이로 인해 폭발이 발생할 수 있습니다.
- ▶ 배터리 전극을 손가락, 공구, 장신구 또는 다른 전도성 물체를 통해 만지지 마십시오. 이는 배터리 손상, 물적 손상 및 부상을 유발할 수 있습니다.
- ▶ 배터리가 비 또는 습기 및 액체에 노출되지 않게 하십시오. 습기가 유입되면 단락, 감전, 화재, 불꽃 및 폭발이 일어날 수 있습니다.
- ▶ 배터리 타입에 해당되는 충전기 및 전동공구만 사용하십시오. 이를 위해 해당 사용 설명서에 적혀 있는 내용을 확인하십시오.
- ▶ 폭발 위험이 있는 환경에서 배터리를 사용하거나 보관하지 마십시오.
- ▶ 배터리를 잡기에 너무 뜨거운 경우에는 고장일 수 있습니다. 배터리를 인화성 물질과 충분한 거리를 둔 상태에서 눈에 잘 띄며 불이 잘 붙지 않는 장소에 두십시오. 배터리를 냉각시키십시오. 한 시간 후에도 계속 해서 배터리를 잡기에 너무 뜨거운 경우에는 배터리에 결함이 있을 수 있습니다. Hilti 서비스 센터에 문의 하거나 "안전 및 Hilti 리튬 이온 배터리 작업 관련 지침" 문서 내용을 확인하십시오.

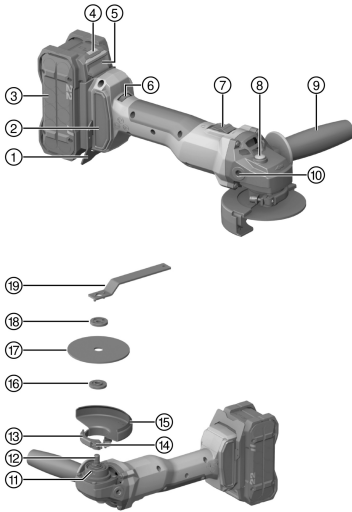


리튬 이온 배터리의 운반, 보관 및 사용 시 적용되는 특수 가이드라인에 유의하십시오. → 페이지 53 안전 및 Hilti 리튬 이온 배터리 작업 관련 지침은 본 사용 설명서의 끝부분에 제시된 QR 코드를 통해 확인할 수 있습니다.



### 3 제품 설명

#### 3.1 제품 개요



- ① 스파크 가드
- ② 먼지 필터
- ③ 배터리
- ④ 배터리 상태 표시기
- ⑤ 배터리 잠금해제 버튼
- ⑥ 속도 제어
- ⑦ ON/OFF 스위치
- ⑧ 스피들 잠금 버튼
- ⑨ 측면 손잡이
- ⑩ 손잡이용 나사 부싱
- ⑪ 코딩바
- ⑫ 스피들
- ⑬ 클램핑 레버
- ⑭ 조정나사
- ⑮ 표준 보호캡
- ⑯ 고정 플랜지
- ⑰ 커팅 디스크/보강 슛돌
- ⑱ 클램핑 너트
- ⑲ 렌치

#### 3.2 규정에 맞는 사용

기술된 제품은 배터리 구동식 소형 앵글 그라인더입니다. 본 그라인더는 물을 사용하지 않고 금속성 및 광물성 재료의 연삭 절단과 황삭 가공, 브러시 작업 및 사포 연마 작업에 적합합니다. 건식 연마/절단 작업 용도로만 사용해야 합니다.

- 본 제품에는 모델시리즈 B 22의 Hilti Nuron 리튬이온 배터리만 사용하십시오. Hilti는 출력을 최적화할 수 있도록 본 제품에 본 사용 설명서의 끝부분 표에 명시된 배터리를 사용할 것을 권장합니다.
- 해당 배터리에는 본 사용 설명서 끝부분 표에 명시된 모델시리즈의 Hilti 충전기만 사용하십시오.

#### 3.3 공급품목

앵글 그라인더, 측면 손잡이, 표준 보호캡, 전면 커버, 고정 플랜지, 클램핑 너트, 후크 렌치, 먼지 필터, 사용 설명서.

해당 제품에 허용되는 기타 시스템 제품은 **Hilti Store** 또는 다음 사이트에서 확인할 수 있습니다.

[www.hilti.group](http://www.hilti.group)

#### 3.4 ATC

본 제품에는 전자 제어식 급속 차단장치 ATC (Active Torque Control)가 장착되어 있습니다.

공구 비트가 막히거나 또는 끼어 움직이지 않게 되면, 제품은 제어되지 않은 상태에서 갑작스럽게 반대 방향으로 돌아갑니다. ATC는 제품의 이러한 갑작스런 회전 움직임을 감지하고 즉시 제품의 전원을 차단합니다.



올바르게 작동하려면 제품이 회전할 수 있어야 합니다.  
급속 차단한 후 제품을 꺾다가 다시 켜십시오.

#### 3.5 엔진 보호 기능

엔진 보호 기능은 전력소비 및 엔진 가열 상태를 감시하고 제품 과열을 방지합니다.

압착력이 너무 높아 모터가 과부하될 경우 제품의 성능이 눈에 띄게 약화되거나 제품 작동이 정지될 수 있습니다.



과부하로 인해 정지 상태 혹은 속도 감소가 발생할 경우, 부하를 제거하고 제품을 약 30초 동안 공회전 속도로 작동시키십시오.



**3.6 내장되어 있는 브레이크**

공구 비트의 감속 시간이 내장되어 있는 브레이크를 통해 정지 상태까지 줄어듭니다.

**i** 이 기능은 제품에 전원이 공급되어야 작동됩니다.  
선택한 공구 비트에 따라 제동 시간이 달라집니다.

**3.7 상판**

아래에 제시된 작업을 진행할 경우 상판 및 표준 커버를 사용하십시오.

- 직선형 보강 슛들을 이용한 황삭 가공
- 커팅 디스크를 이용한 연삭 절단

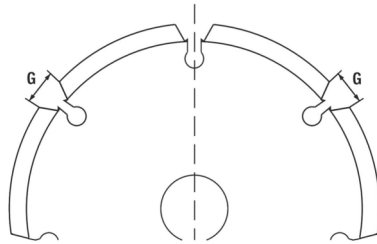
**3.8 먼지 분리기(연삭) DG-EX 100/4(액세서리)**

본 연삭 시스템은 다이아몬드 컵 휠로 광물성 모재를 연삭 가공하는 작업에만 적합합니다.  
이 캡으로 금속 작업을 하는 것은 금지됩니다.

**3.9 적합한 다이아몬드 홈가공 디스크의 형상**

다이아몬드 홈가공 디스크는 다음과 같은 형상 기준을 충족해야 합니다.

기술자료	
세그먼트 사이의 홈 너비 (G)	≤ 10mm
절단각	네거티브



**3.10 리튬이온 배터리 표시**

Hilti Nuron 리튬 이온 배터리는 충전 상태, 오류 메시지 및 배터리 상태를 표시할 수 있습니다.

**3.10.1 충전 상태 및 오류 메시지 표시**

**경고**  
부상 위험 떨어지는 배터리로 인한 위험!

▶ 배터리가 끼워진 상태에서 잠금해제 버튼을 누른 경우, 배터리가 사용하는 제품에 다시 제대로 고정되었는지 확인하십시오.

다음과 같은 표시를 확인하려면, 배터리 잠금해제 버튼을 짧게 누르십시오.  
연결된 제품의 전원이 켜져 있는 동안 충전 상태 및 발생 가능한 장애 내용도 계속 표시됩니다.

상태	의미
4개 LED가 녹색으로 계속 점등됩니다	충전 상태: 100 % ~ 71 %
3개 LED가 녹색으로 계속 점등됩니다	충전 상태: 70 % ~ 51 %
2개 LED가 녹색으로 계속 점등됩니다	충전 상태: 50 % ~ 26 %
1개 LED가 녹색으로 계속 점등됩니다	충전 상태: 25 % ~ 10 %
1개 LED가 녹색으로 느리게 깜박입니다	충전 상태: < 10 %
1개 LED가 녹색으로 빠르게 깜박입니다	리튬이온 배터리가 완전히 방전되었습니다. 배터리를 충전하십시오. 배터리 충전 후에도 계속해서 LED가 빠르게 깜박이면, Hilti 서비스 센터에 문의해 주십시오.



상태	의미
1개 LED가 황색으로 빠르게 깜박입니다	리튬 이온 배터리 또는 배터리와 관련된 제품이 과부하되었거나, 너무 뜨겁거나 차갑거나 또는 다른 오류가 발생했습니다. 제품 및 배터리를 권장하는 작동 온도 상태로 유지하고, 제품을 사용하지 않을 경우 제품에 과부하가 걸리지 않도록 하십시오. 해당 메시지가 계속 존재하는 경우, <b>Hilti</b> 서비스 센터에 문의해 주십시오.
1개 LED가 황색으로 점등됩니다	리튬이온 배터리 및 배터리가 연결된 제품과 호환되지 않습니다. <b>Hilti</b> 서비스 센터에 문의해 주십시오.
1개 LED가 적색으로 빠르게 깜박입니다	리튬이온 배터리 사용이 금지되어 더 이상 사용할 수 없습니다. <b>Hilti</b> 서비스 센터에 문의해 주십시오.

### 3.10.2 배터리 상태 표시

배터리 상태를 조회하려면, 잠금해제 버튼을 3초 이상 누르고 계십시오. 낙하, 틈새 발생, 외부 요인으로 인한 열 손상 등 잘못된 사용으로 인해 시스템에서 잠재적으로 발생할 수 있는 배터리의 오작동을 감지하지 못합니다.

상태	의미
작동 표시등으로 모든 LED가 점등된 후 1개 LED가 녹색으로 계속 점등됩니다.	배터리를 계속해서 사용할 수 있습니다.
작동 표시등으로 모든 LED가 점등된 후 1개 LED가 황색으로 빠르게 깜박입니다.	배터리 상태 조회를 종료할 수 없습니다. 해당 과정을 반복하거나 <b>Hilti</b> 서비스 센터에 문의해 주십시오.
작동 표시등으로 모든 LED가 점등된 후 1개 LED가 적색으로 계속 점등됩니다.	연결된 제품을 계속해서 사용할 수 없는 경우, 남아 있는 배터리 용량이 50% 미만입니다. 연결된 제품을 계속해서 사용할 수 없는 경우, 배터리의 수명이 다 되어 교체해야 합니다. <b>Hilti</b> 서비스 센터에 문의해 주십시오.

## 4 소모품

회전속도 11500 /min 이상 및 주변 속도 80 m/s 이상에 허용되는 합성수지 계열의 섬유 보강된 디스크만 사용할 수 있습니다.

주의! 커팅 디스크를 이용하여 절단 및 홈 가공할 때 항상 추가 전면 커버가 장착된 표준 보호캡 또는 전체가 폐쇄된 먼지 분리기를 사용하십시오.

디스크

모델	용도	표시	모재	최대 두께	최대 직경
연마 커팅 디스크	연삭 절단, 홈	AC-D	금속성	2.5mm	100mm
다이아몬드 커팅 디스크	연삭 절단, 홈	DC-TP, DC-D (SPX, SP, P)	광물성	3mm	100mm
연마성 보강 슷돌	황삭 가공	AG-D, AF-D, AN-D	금속성	6.4mm	100mm
다이아몬드 보강 슷돌	황삭 가공	DG-CW (SPX, SP, P)	광물성	—	100mm
와이어 브러쉬	와이어 브러쉬	3CS, 4CS, 3SS, 4SS	금속성	— 27mm	75mm 100mm
파이버 디스크	황삭 가공	AP-D	금속성	—	100mm

사용한 장비에 디스크 배정

위치	장비	AC-D	AP-D	AG-D, AF-D, AN-D	DG-CW (SPX, SP, P)	DC-TP, DC-D (SPX, SP, P)	3CS, 4CS, 3SS, 4SS, DD-M14
A	보호캡(표준)	✓	✓	✓	✓	✓	✓
B	상판(A와 결합)	✓	—	—	—	✓	—



위치	장비	AC-D	AP-D	AG-D, AF-D, AN-D	DG-CW (SPX, SP, P)	DC-TP, DC-D (SPX, SP, P)	3CS, 4CS, 3SS, 4SS, DD-M14
C	먼지 분리기(연삭) DG-EX 1004"	—	—	—	✓	—	—
D	측면 손잡이(표준)	✓	✓	✓	✓	✓	✓
E	클램핑 너트(표준)	✓	—	✓	✓	✓	—
F	고정 플랜지(표준)	✓	—	✓	✓	✓	—
G	클램핑 너트(파이버 디스크)	—	✓	—	—	—	—
H	서포트 플레이트(파이버 디스크)	—	✓	—	—	—	—

## 5 기술자료

AG 4S-22-100	
정격 전압	21.6V
정격 회전 속도	8,500/min
최대 디스크 직경	104.9mm
EPTA-Procedure 01에 따른 무게(배터리 미포함)	1.9kg
구동 스피들 나사부	10
스피들 길이	16mm
작동 시 주변 온도	-17 °C ... 60 °C (1 °F ... 140 °F)
보관 온도	-20 °C ... 70 °C (-4 °F ... 158 °F)

### 5.1 배터리

배터리 모드 전압	21.6V
배터리 무게	본 사용 설명서의 끝부분 참조
작동 시 주변 온도	-17 °C ... 60 °C (1 °F ... 140 °F)
보관 온도	-20 °C ... 40 °C (-4 °F ... 104 °F)
충전 시작 시 배터리 온도	-10 °C ... 45 °C (14 °F ... 113 °F)

### 5.2 62841-2-3:2021 규격에 따른 소음 정보 및 진동값

이 치함에 제시된 음압 및 진동수준은 표준화된 측정방법에 따라 측정된 것이며, 전동 공구를 서로 비교하기 위한 용도로 사용할 수 있습니다. 음압 및 진동 수준은 노출 정도를 사전에 예측하는 데에도 유용하게 사용할 수 있도록 설계되어 있습니다.

제시된 데이터는 전동 공구의 주된 용도를 나타냅니다. 그러나 전동 공구를 다른 용도로 사용하거나 다른 공구 비트를 사용할 경우 또는 유지보수를 충분히 하지 않은 상태에서는 데이터에 편차가 있을 수 있습니다. 이러한 경우 전 작업시간에 걸쳐 노출이 현저하게 증가할 수 있습니다.

노출을 정확하게 평가하기 위해서는 전동 공구 작동이 멈춰 있거나 또는 작동 중이지만 실제로 사용하지 않는 시간도 고려해야 합니다. 이러한 경우 전 작업시간에 걸쳐 노출이 현저하게 감소할 수 있습니다.

사용자를 보호하기 위해 음파 그리고/또는 진동이 작용하기 전에 다음과 같은 추가적인 안전 조치를 취하십시오. 전동 공구와 공구 비트의 유지보수, 손을 따뜻하게 유지, 작업순서 정하기 등.

박판 또는 기타 면적이 큰 가벼운 진동 구조물을 샌딩할 경우 제시된 소음 배출값보다 높은 소음이 배출될 수 있습니다. 무겁고 유연한 단열 매트를 부착하는 등 소음 저감 조치를 취해 소음배출 생성을 줄일 수 있습니다. 소음 노출 위험을 평가하고 적절한 청력 보호 장치를 선택할 때는 항상 이와 같이 증가된 값을 고려해야 합니다.



소음 정보

		AG 4S-22-100
음압 수준 ( $L_{pA}$ )		84dB(A)
음압 수준 허용공차 ( $K_{pA}$ )		3dB(A)
소음 수준 ( $L_{WA}$ )		92dB(A)
소음 수준 허용공차 ( $K_{WA}$ )		3dB(A)

진동 정보

절단 작업과 같은 다른 용도로 사용할 경우 진동값이 차이날 수 있습니다.

		AG 4S-22-100
표면 연삭 ( $a_{h,AG}$ )	B 22-55	4.4m/s <sup>2</sup>
	B 22-255	3.7m/s <sup>2</sup>
허용공차 (K)		1.5m/s <sup>2</sup>

## 6 작업 준비

### 경고

부상 위험 돌발적인 작동!

- ▶ 배터리를 끼우기 전에 해당 제품의 전원이 꺼져 있는지 확인하십시오.
- ▶ 기기 설정 또는 액세서리를 교체하기 전에 배터리를 제거하십시오.

본 문서 및 제품에 나와 있는 안전 지침 및 경고 지침에 유의하십시오.

### 6.1 배터리 충전

1. 충전하기 전에 충전기의 사용 설명서를 읽으십시오.
2. 배터리 및 충전기의 접점이 청결하고 건조한 상태인지 확인하십시오.
3. 허용되는 충전기에서 배터리를 충전하십시오. → 페이지 45

### 6.2 배터리 삽입

#### 경고

부상 위험 부상 위험!

- ▶ 배터리를 끼우기 전에 배터리의 접점 및 제품의 접점에 이물질이 남아 있지 않은지 확인하십시오.
- ▶ 배터리가 제대로 고정되었는지 확인하십시오.

1. 처음으로 사용하기 전, 배터리를 완전히 충전하십시오.
2. 배터리가 제품에 고정되는 소리가 들릴 때까지 미십시오.
3. 배터리가 정확하게 설치되어 있는지 점검하십시오.

### 6.3 배터리 제거

1. 배터리의 잠금 해제 버튼을 누르십시오.
2. 배터리를 제품에서 빼내십시오.

### 6.4 Hilti 낙하방지벨트 장착(옵션)



제품을 이용해 작업하는 도중 높은 위치에서 작업할 경우, 반드시 관련 국가 규정에 유의하십시오. 낙하방지벨트의 사용 설명서 내용에 유의하십시오.

1. 낙하방지벨트의 양쪽 러그를 볼꽃 방지판 위에 맞춰 정확하게 올려 놓으십시오.
2. 해당 스크류를 볼꽃 방지판에 지정된 홈을 관통시켜 낙하방지벨트를 고정시키십시오.
3. 배터리를 삽입하십시오. → 페이지 49



## 6.5 추락 방지장치

### 경고

부상 위험 떨어지는 공구 및/또는 액세서리에 의한 유발!

- ▶ 해당 제품에 권장하는 **Hilti** 공구 고정끈만 사용하십시오.
- ▶ 사용하기 전에 항상 공구 고정끈의 고정점에 손상된 곳이 없는지 확인하십시오.

공중 작업에 대한 국가별 규정에 유의하십시오.

해당 제품의 추락 방지장치로는 **Hilti** 낙하 방지 장치 #2293133 및 **Hilti** 공구 고정끈 #2261970을 결합한 것만 사용하십시오.

- ▶ 낙하 방지 벨트를 액세서리의 조립 구멍에 고정시키십시오. 확실하게 고정되었는지 점검하십시오.
- ▶ 공구 고정끈의 카라비너 후크 한쪽을 낙하 방지 벨트에 고정하고, 지지하는 구조물에 다른 카라비너 후크를 고정시키십시오. 두 카라비너 후크가 확실하게 고정되었는지 점검하십시오.

**Hilti** 낙하 방지 벨트 및 **Hilti** 공구 고정끈의 사용 설명서 내용에 유의하십시오.

## 6.6 측면 손잡이 설치

- ▶ 지정된 나사 부싱에 측면 손잡이를 조이십시오.

## 6.7 보호캡 장착 또는 탈거

### 주의

부상 위험. 공구 비트가 뜨겁거나 모서리가 날카로울 수 있습니다.

- ▶ 조립, 분리, 조정 작업 및 고장 제거 시 보호장갑을 착용하십시오.

- ▶ 보호캡에 관한 조립설명서 내용에 유의하십시오.

### 6.7.1 표준 보호캡 설치

보호캡의 코딩은 제품에 맞는 보호캡만 설치되도록 확인시켜줍니다. 그 외에도 보호캡이 공구 위로 떨어지지 않도록 방지합니다.

1. 클램핑 레버를 여십시오.
2. 보호캡을 코딩바와 함께 공구 헤드의 스펀들넥에 있는 코딩홈 안으로 끼우십시오.
3. 보호캡을 요구되는 위치로 돌리십시오.
4. 고정을 위해 클램핑 레버의 보호캡을 닫으십시오.

보호캡은 이미 조정나사로 정확한 클램핑 직경으로 설정되었습니다. 보호캡을 설치했을 때 전압이 너무 낮으면 조정나사를 살짝 당겨서 장력을 높일 수 있습니다.

### 6.7.2 표준 보호캡 조정

1. 클램핑 레버를 여십시오.
2. 보호캡을 요구되는 위치로 돌리십시오.
3. 고정을 위해 클램핑 레버의 보호캡을 닫으십시오.

### 6.7.3 표준 보호캡 분리

1. 클램핑 레버를 여십시오.
2. 보호캡을 돌려 코딩바가 코딩홈과 일치할 하면 보호캡을 분리하십시오.

## 6.8 전면 커버 설치 또는 분리

전면 커버는 표준 보호캡에 끼워야 합니다.





1. 전면 커버의 닫힌 면이 위쪽 표준 보호캡을 향하게 설치하십시오.
  - ▶ 로킹 메커니즘이 잠기는 소리가 들려야 합니다.
2. 분리하려면, 전면 커버의 로킹 메커니즘을 푸십시오.
3. 표준 보호캡에서 전면 커버를 분리하십시오.

## 6.9 공구 비트 장착 또는 탈거

### 주의

- 부상 위험. 공구 비트가 뜨거워질 수 있습니다.
- ▶ 공구 비트 교체 시 보호장갑을 착용하십시오.

### i

다이아몬드 디스크는 절단 및 연삭 성능이 현저히 떨어지면 즉시 교체해야 합니다. 이는 일반적으로 다이아몬드 세그먼트의 높이가 2 mm 보다 낮을 경우에 해당됩니다.

절단 기능이 현저히 떨어지거나 또는 작업하는 동안 앵글 그라인더 부품(디스크 제외)이 작업 소재와 접촉하는 경우 바로 디스크 타입을 교체해야 합니다.

연마 디스크는 유효기간이 만료되면 교환해야 합니다.

### 6.9.1 공구 비트 장착

#### 경고

- 부상 위험. 공구 모터에 제동을 걸 때 공구 비트가 풀릴 수 있습니다.
- ▶ 공구 비트 또는 클램핑 너트를 잠기 전에 공구 비트가 정지할 때까지 기다리십시오.
  - ▶ 공구 비트 및 고정 플랜지를 클램핑 너트와 함께 단단히 조여서 공구 모터에 제동을 걸 때 스펀들에서 부품이 풀리지 않도록 하십시오.

1. 고정 플랜지를 스펀들에 끼우십시오.
2. 공구 비트를 끼우십시오.
3. 클램핑 너트를 사용된 공구 비트에 맞춰서 조이십시오.
4. 스펀들 잠금 버튼을 누른 다음, 그대로 누르고 계십시오.
5. 후크 렌치를 이용하여 클램핑 너트를 조인 다음, 이어서 스펀들 잠금 버튼에서 손을 떼고 클램핑 너트를 제거하십시오.

### 6.9.2 공구 비트 분리

#### 경고

파열 위험 및 파손 위험. 스펀들이 돌아가는 동안 스펀들 잠금버튼이 놓리면, 공구 비트가 풀릴 수 있습니다.

- ▶ 스펀들 잠금버튼은 스펀들이 정지된 상태에서만 누르십시오.
1. 스펀들 잠금 버튼을 누른 다음, 그대로 누르고 계십시오.
  2. 후크 렌치를 끼우고 시계 방향으로 돌려 클램핑 너트를 푸십시오.
  3. 스펀들 잠금 버튼에서 손을 떼고 공구 비트를 분리하십시오.

### 6.9.3 와이어 브러쉬 설치

1. 측면 손잡이를 설치하십시오. → 페이지 50
2. 표준 보호캡을 설치하십시오.
3. 와이어 브러쉬를 설치한 다음, 단단히 조이십시오.
4. 스펀들 잠금 버튼을 누른 다음, 그대로 누르고 계십시오.
5. 와이어 브러쉬를 적합한 스페너를 이용하여 조이십시오.
6. 이후 스펀들 잠금 버튼에서 손을 떼고 스페너를 제거하십시오.

### 6.9.4 파이버 디스크 설치

1. 측면 손잡이를 설치하십시오. → 페이지 50
2. 표준 보호캡을 설치하십시오.
3. 서포트 플레이트 및 파이버 디스크를 설치한 후 클램핑 너트를 단단히 조이십시오.
4. 스펀들 잠금 버튼을 누른 다음, 그대로 누르고 계십시오.
5. 후크 렌치를 이용하여 클램핑 너트를 조이십시오.
6. 이후 스펀들 잠금 버튼에서 손을 떼고 후크 렌치를 제거하십시오.



## 7 조작

### 7.1 전원 켜기

1. ON/OFF 스위치 뒷 부분을 누르십시오.
2. ON/OFF 스위치를 앞쪽으로 밀어 주십시오.
  - ▶ 모터가 작동합니다.
3. ON/OFF 스위치를 잠그십시오.

### 7.2 샌딩 작업

#### 경고

부상 위험. 공구 비트가 갑자기 막히거나 걸릴 수 있습니다.

- ▶ 항상 측면 손잡이를 이용하여 제품을 사용하고, 제품이 움직이지 않게 양손으로 잡으십시오.

공구 비트가 끼이지 않게 하고, 제품에 과도한 압력을 가하지 마십시오.

### 7.3 연삭 절단

- ▶ 연삭 절단 시에 적절한 이송 속도로 작업하고 제품 또는 커팅 디스크를 기울이지 마십시오(작업 위치는 절단면 기준 대략 90°).



최소형의 단면부에서 커팅 디스크를 설치하면, 측면부와 사각 파이프를 최상의 결과로 절단하게 됩니다.

### 7.4 황삭 가공

#### 경고

부상 위험. 커팅 디스크가 파열되어 분리된 부품으로 인해 부상을 입을 수 있습니다.

- ▶ 절대로 황삭 작업을 위해 커팅 디스크를 사용하지 마십시오.

- ▶ 제품을 진입 각도 5° ~ 30°로 적절한 압력을 가해 앞뒤/좌우로 이동시키십시오.
  - ▶ 작업물이 과열 및 변색되지 않으며 금이 생기지 않습니다.

### 7.5 전원 끄기

- ▶ ON/OFF 스위치 뒷 부분을 누르십시오.
  - ▶ ON/OFF 스위치가 자동으로 OFF 위치로 바뀌고 모터가 정지합니다.

## 8 관리 및 유지보수

#### 경고

배터리가 끼워진 상태에서 부상 위험!

- ▶ 관리 및 수리 작업을 진행하기 전에 항상 배터리를 제거하십시오!

#### 위험

보호 단열재가 없으므로 인한 전기 충격. 극단적인 작업 조건에서 금속 작업을 진행할 경우 기기 내부에서 전도성이 있는 먼지(예: 금속, 탄소 섬유)가 쌓여 보호 단열재에 영향을 줄 수 있습니다.

- ▶ 극단적인 작업 조건에서는 정적인 흡인장치를 사용하십시오.
- ▶ 환기 슬롯을 자주 세척하십시오.

#### 제품 관리

- 공구에 부착되어 있는 오염물질을 조심스럽게 제거하십시오.
- 약간 물기가 있는 수건으로만 하우징을 청소해 주십시오. 플라스틱 부품을 손상시킬 수 있으므로 절대로 실리콘이 함유된 보호제를 사용하지 마십시오.
- 제품의 접점을 청소하려면 깨끗하고 마른 천을 사용하십시오.

#### 리튬 이온 배터리 관리

- 환기 슬롯이 막힌 상태에서는 절대 배터리를 사용하지 마십시오. 부드러운 마른 솔로 환기 슬롯을 조심스럽게 청소하십시오.



- 배터리가 불필요하게 먼지 또는 오염물에 노출되지 않도록 하십시오. 배터리를 절대 습도가 높은 곳에 두지 마십시오(예: 물 속에 담그거나 비내리는 곳에 두는 행위).  
배터리에 물이 들어가면, 손상된 배터리처럼 취급하십시오. 물이 들어간 배터리는 비가연성 용기에서 절연시킨 후, Hilti 서비스 센터에 문의해 주십시오.
- 배터리를 외부 오일 및 그리스가 묻지 않도록 깨끗하게 유지하십시오. 배터리에 불필요하게 먼지 또는 오염물이 쌓이지 않도록 하십시오. 배터리를 부드러운 마른 솔 또는 깨끗하고 마른 걸레로 닦아내십시오. 플라스틱 부품을 손상시킬 수 있으므로 절대로 실리콘이 함유된 보호제를 사용하지 마십시오.  
배터리의 접점에 접촉하지 말고, 접점에서 공구축에 부착된 그리스를 제거하지 마십시오.
- 약간의 물기가 있는 수건으로만 하우징을 청소해 주십시오. 플라스틱 부품을 손상시킬 수 있으므로 절대로 실리콘이 함유된 보호제를 사용하지 마십시오.

#### 유지보수

- 눈에 보이는 모든 부품은 정기적으로 손상 여부를 점검하고, 조작성소가 문제 없이 작동하는지 점검하십시오.
- 손상되었거나 기능 장애가 있는 경우에는 제품을 작동하지 마십시오. 즉시 Hilti 서비스 센터에 제품 수리를 의뢰하십시오.
- 관리 및 수리 작업 후 모든 보호장치를 가져와 기능에 이상이 없는지 점검하십시오.



안전하게 작동하기 위해서는 순정품 예비 부품 및 소모품만 사용하십시오. Hilti에서 승인한 예비 부품, 소모품 및 액세서리는 Hilti Store 또는 [www.hilti.group](http://www.hilti.group)

## 9 충전식 공구 및 배터리 운반 및 보관

### 운반

#### 주의

운반 시 돌발적으로 작동됨!

- ▶ 제품은 항상 배터리를 장착하지 않은 상태로 운반하십시오!
- ▶ 배터리를 분리하십시오.
- ▶ 배터리를 고정하지 않은 채로 운반해서는 절대 안 됩니다. 운반하는 도중 배터리에 과도한 충격을 받거나 진동이 발생하지 않게 하고 모든 전도성 소재 또는 다른 배터리로부터 분리시켜 다른 배터리 전극에 닿지 않고 단락이 발생하지 않게 하십시오. 배터리와 관련된 현지 운반 규정에 유의하십시오.
- ▶ 배터리는 우편을 통해 전달할 수 없습니다. 손상이 없는 배터리를 전송하고자 하는 경우 배송업체에 문의하십시오.
- ▶ 제품 및 배터리를 사용하기 전에 그리고 장시간 운반한 후에는 항상 손상 여부를 점검하십시오.

### 보관

#### 경고

배터리 결함 또는 방전으로 인한 돌발적인 손상!

- ▶ 제품은 항상 배터리를 장착하지 않은 상태로 보관하십시오!
- ▶ 제품 및 배터리를 냉각 및 건조시켜 보관하십시오. 기술자료에 제시된 허용 온도 한계값에 유의하십시오.
- ▶ 배터리를 충전기에 보관하지 마십시오. 충전 후에는 항상 배터리를 충전기에서 분리하십시오.
- ▶ 배터리는 절대 직사광선이 들어오는 곳, 열원 위 또는 유리 뒤쪽에 보관하지 마십시오.
- ▶ 제품 및 배터리는 건조한 상태로 어린이나 외부인의 손이 닿지 않는 곳에 보관하십시오.
- ▶ 제품 및 배터리를 사용하기 전에 그리고 장시간 보관한 후에는 항상 손상 여부를 점검하십시오.

## 10 문제 발생 시 도움말

장애 발생 시 항상 배터리의 충전 상태 및 고장 표시 내용에 유의하십시오. 리튬이온 배터리 표시 단원을 참조하십시오.

본 도표에 제시되어 있지 않거나 스스로 해결할 수 없는 문제가 발생한 경우 Hilti 서비스 센터에 문의해 주십시오.

장애	예상되는 원인	해결책
제품의 스위치가 켜지지 않음.	배터리가 방전되었음.	▶ 배터리를 교체하고 방전된 배터리를 충전하십시오.
배터리가 평소보다 더 빨리 방전됨.	주변 온도가 너무 낮음.	▶ 실온에서 배터리를 서서히 따뜻하게 하십시오.



장애	예상되는 원인	해결책
배터리를 밀어 넣을 때 찰칵하는 소리가 들리지 않음.	배터리 래치 오염됨.	▶ 배터리 래치를 청소하고 배터리를 다시 끼우십시오.
앵글 그라인더 또는 배터리에서 과도한 열 발생.	전기적 결함.	▶ 즉시 제품의 전원을 끄고, 배터리를 분리하여 관찰하면서 열을 식히십시오. <b>Hilti</b> 서비스 센터에 문의하십시오.
	환기 슬롯 막힘	▶ 환기 슬롯을 주기적으로 청소하십시오.
모터의 제동 기능 없음.	배터리가 방전되었음.	▶ 배터리를 교체하고 방전된 배터리를 충전하십시오.
	제품이 잠깐 동안 과부하됨.	▶ 제품을 꺾다가 다시 켜십시오.

## 11 폐기

### 경고

부적절한 폐기로 인한 부상 위험! 새어나오는 가스 또는 용액으로 인한 건강상의 위험.

- ▶ 손상된 배터리는 전달하지 마십시오!
- ▶ 비전도성 소재로 연결 단자를 막아 두어 단락이 발생하지 않게 하십시오.
- ▶ 배터리가 어린이의 손에 닿지 않도록 폐기하십시오.
- ▶ **Hilti Store**에서 배터리를 폐기하거나 또는 담당 폐기물 처리 업체에 문의하십시오.

**Hilti** 제품은 대부분 재사용이 가능한 소재로 제작되었습니다. 재활용을 위해 개별 부품을 분리하여 주십시오. **Hilti**는 대부분의 국가에서 재활용을 위해 노후기기를 수거해 갑니다. **Hilti** 고객 서비스 센터 또는 판매 담당자에게 문의하십시오.



- ▶ 전동 공구, 전자기 기기 및 배터리를 일반 가정 쓰레기로 폐기하지 마십시오!

## 12 제조사 보증

- ▶ 보증 조건에 관한 질문사항은 현지 **Hilti** 파트너사에 문의하십시오.

## 13 기타 정보

작동법, 기술, 환경 및 재활용에 대한 세부 정보는 [qr.hilti.com/manual/?id=2252233&id=2252235&id=2251374](http://qr.hilti.com/manual/?id=2252233&id=2252235&id=2251374)에서 확인할 수 있습니다.

해당 링크는 본 문서 끝에 QR 코드 형식으로도 제시되어 있습니다.

## 原始操作說明

### 1 關於操作說明的資訊

#### 1.1 關於本操作說明

- 注意！在使用本產品之前，請確保您已閱讀並瞭解產品隨附的操作說明書，包括說明、安全性和警示注意事項、圖解和規格。尤其是熟悉所有說明、安全性和警示注意事項、圖解、規格、組件和功能。若未遵守，可能會導致觸電、火災和/或嚴重傷害的風險。妥善保存操作說明書，包括所有說明、安全性和警示注意事項，以備日後使用。
- 產品是針對專業使用者設計，故僅經訓練、認可的人員可操作、維修與維護本產品。必須告知上述人員關於可能遭遇到的特殊危險。若因未經訓練人員操作錯誤或未依照其原本的用途操作，則本產品和它的輔助工具設備有可能會發生危險。
- 隨附的操作說明書符合印刷時的最新技術水準。您隨時可在Hilti產品頁面上尋找最新版本。為此，請點選操作說明書中標示符號的連結或QR碼。
- 將產品交予他人時，必須連同本操作說明書一併轉交。

僅適用於台灣

進口商：喜利得股份有限公司



地址: 新北市板橋區  
 新站路16號24樓22041  
 電話: 0800-221-036

## 1.2 已使用的符號解釋

### 1.2.1 警告

警告您在操作或使用本產品時可能發生之危險。採用了以下標示文字：



**危險**

危險！

▶ 此標語警示會發生對人造成嚴重傷害甚至致死的危險情形。



**警告**

警告！

▶ 此標語警示會造成嚴重傷害甚至致死危險的潛在威脅。



**注意**

注意！

▶ 請小心會造成人員受傷或對設備及其他財產造成損害的潛在危險情況。

### 1.2.2 操作說明中的符號

本操作說明中採用以下符號：



請遵照操作說明



使用操作說明與其他資訊



處理可回收的材料



不可將電子設備與電池當作家庭廢棄物處置



**Hilti 鋰電池**



**Hilti 充電器**

### 1.2.3 圖解中的符號

圖解中採用了以下符號：



號碼對應操作說明的開始處的圖解。

3

編號代表圖解中的操作步驟順序，可能與內文中的步驟有所不同。



概覽圖解中使用位置編號，方便您對應到產品概覽段落中的圖例編號。



這些特色是為了讓您在操作本產品時可以注意某些重點。

## 1.3 產品專屬符號

### 1.3.1 產品上的符號

產品上會採用下列符號：



穿戴護目鏡

$n_0$

無負載下額定轉速

/min

每分轉數



RPM	每分鐘轉數
	直徑
---	直流電 (DC)
	進行切割工作時，不得佩戴標準防護罩。
	請務必使用雙手作業。
	本產品支援近距離無線通訊 (NFC) 技術，其相容於iOS及Android平台。
Li-Ion	鋰電池
	請勿將電池使用作為敲擊工具。
	避免電池掉落。不得使用遭受衝擊或其他原因遭到損壞的電池。

#### 1.4 產品資訊

**HILTI** 產品是針對專業使用者設計，故僅經訓練、認可的人員可操作、維修與維護本產品。必須告知上述人員關於可能遭遇到的特殊危險。若因未經訓練人員操作錯誤或未依照其原本的用途操作，則本產品和它的輔助工具設備有可能會發生危險。

類型名稱和序號都標示於額定銘牌上。

- 在下方表格中填入序號。與Hilti維修中心或當地Hilti機關聯絡查詢產品相關事宜時，我們需要您提供產品詳細資訊。

##### 產品資訊

充電式角磨機	AG 4S-22-100
產品代別	02
序號	

#### 1.5 符合聲明

基於製造商唯一的責任，本公司在此聲明本產品符合適用法規及標準。本文件結尾處有符合聲明之副本。技術文件已歸檔：

Hilti Entwicklungsgesellschaft mbH | Tool Certification | Hiltistrasse 6 | D-86916 Kaufering, Germany

## 2 安全性

### 2.1 一般電動機具安全警告

**警告** 請詳閱本電動機具提供的所有安全警告、指示、圖解和說明。未能遵守以下所有指示可能會造成電擊事故、火災和/或嚴重的傷害。

妥善保存所有警告及說明，以供將來參考。

注意事項中的「機具」係指使用電源（有線）或電池（無線）的電動機具。

#### 工作區域安全

- 請保持工作區的清潔與採光充足。雜亂而昏暗的工作區會導致意外發生。
- 勿在容易發生爆炸的環境中使用機具，例如有可燃性液體、瓦斯或粉塵存在的環境。機具產生的火花可能會引燃塵埃或煙霧。
- 操作機具時，請與兒童及旁人保持距離。注意力不集中時容易發生失控的情形。

#### 電力安全

- 機具插頭與插座須能互相搭配。勿以任何方式改裝插頭。勿將任何變壓器插頭和與地面接觸（接地）的電動機具搭配使用。未經改裝的插頭以及能互相搭配的插座可減少發生電擊的危險。
- 避免讓身體接觸到如管線、散熱器、爐灶與冰箱等與土地或地表接觸之物品。如果您的身體接觸到地表或地面，將增加電擊的危險。
- 請勿將機具曝露在下雨或潮濕的環境中。若水氣進入機具中將增加觸電的危險。



- ▶ 勿濫用電纜線。勿以電纜線吊掛、拖拉機具或拔下機具插頭。電纜線應避開熱氣、油、銳利的邊緣或移動性零件。電纜線損壞或纏繞會增加發生電擊事故的危險。
- ▶ 於室外操作機具時，須使用適用於戶外的延長線。使用適合戶外使用的延長線可降低觸電的風險。
- ▶ 如果無法避免在潮濕的地點操作機具，請使用漏電斷路器（RCD）保護電源供應器。使用漏電斷路器（RCD）可降低電擊的風險。

#### 人員安全

- ▶ 操作機具時，請提高警覺，注意進行中的工作並善用常識。感到疲勞或受到藥物、酒精或治療的影響時勿使用機具。操作機具時稍不留神就可能造成嚴重的人員傷亡。
- ▶ 穿戴個人防護裝備。請隨時穿戴眼罩。適當使用防塵面罩、防滑鞋、安全帽及耳罩等安全防護配備可減少人員的傷害。
- ▶ 避免不經意的啟動。在接上電源或電池組、抬起或攜帶機具之前，務必確認開關處於關閉的位置。攜帶機具時，如果把手指放在開關上，或在開關開啟時，將機具插上插頭容易發生意外。
- ▶ 啟動機具前，應將所有調整鑰匙或扳手移開。將扳手或鑰匙留在機具的旋轉零件中可能會造成人員傷害。
- ▶ 勿將手伸出過遠。隨時站穩並維持平衡。這可讓您在意外情況發生時，對機具有較好的控制。
- ▶ 穿著適當服裝。請勿穿著寬鬆的衣服或佩戴珠寶。頭髮、衣服與手套應遠離移動性零件。移動性零件可能會夾到寬鬆的衣服、珠寶或長髮。
- ▶ 如果機具可連接吸塵裝置與集塵設備，請連接並適當使用這些設備。使用集塵裝置可降低與粉塵有關的危險。
- ▶ 請勿因頻繁而習慣使用機具便疏於遵守或忽略機具的安全規範。草率使用可能在轉眼間便造成嚴重的傷害。

#### 機具使用與保養

- ▶ 不可強制使用機具。依據用途使用正確的機具。根據設計的速率使用機具可更快速安全地完成工作。
- ▶ 若開關無法啟動或關閉電動工具時，請勿使用電動工具。任何無法以開關控制的機具都很危險且需要維修。
- ▶ 在進行任何調整、更換配件、或貯放電動機具前，請先將插頭拔離插座和 / 或將電池組自電動機具卸下（如可拆卸）。此預防安全措施可降低機具意外啟動的風險。
- ▶ 將閒置的機具貯放在兒童拿不到的地方，勿讓不熟悉或未詳閱本說明的人員操作本機具。機具在未經訓練的使用者手中是很危險的。
- ▶ 維護機具與配件。請檢查移動性零件有無偏移或黏合的情形、零件有無破損，以及任何會影響機具運轉的狀況。如果機具受損，請先維修後再使用。很多意外便是由維護不當的機具造成的。
- ▶ 保持切割機具的銳利與清潔。具銳利切割邊緣的切割機具如果得到適當的維護，便較不會發生黏合的現象，且較容易控制。
- ▶ 遵守本指示說明使用機具、配件和工具組等，並考量工作條件與待進行的工作。將機具用在原目的之外之用途可能會造成危險。
- ▶ 保持握把與其表面的乾燥、清潔且不要讓上面出現油漬。握把及其表面濕滑會在意外情況中造成機具無法安全掌控。

#### 電池機具的使用與保養

- ▶ 務必使用原廠指定的充電器進行充電。將適合特定類型電池的充電器使用在其他電池時，會有造成火災的危險。
- ▶ 務必使用機具特別指定的電池匣。使用其他的電池匣可能會造成受傷或火災。
- ▶ 電池匣未使用時，請將其遠離如迴紋針、錢幣、鑰匙、針、固定釘或其他會在電池兩極間形成連結的小型金屬物件。在電池兩極間建立短路可能會造成灼傷或火災。
- ▶ 若使用不當，可能會有液體由電池流出；請避免接觸該液體。若不慎接觸，請以清水沖洗。如果不小心讓液體接觸到眼睛，請立即尋求醫療援助。從電池中滲出的液體，可能會導致過敏或灼傷。
- ▶ 請勿使用損壞或改裝過的電池組或機具。受損或改裝過的電池可能會無法正常運作而造成起火、爆炸或受傷的風險。
- ▶ 請勿將電池組或機具暴露在火源或極端的溫度環境中。暴露在火源或溫度超過130° C (265 °F) 的環境下可能會造成爆炸。
- ▶ 請遵守充電操作說明且不要在說明所載的溫度範圍之外為電池組或機具充電。不當充電或在指定溫度範圍外充電均可能造成電池損壞並提高起火的風險。

#### 維修服務

- ▶ 請將機具交給合格的維修人員進行維修，並使用相同的替代零件。這可確保維護機具安全。
- ▶ 請勿自行維修損壞的電池。損壞的電池僅可由製造商或授權的維修商進行維修。

## 2.2 各種工作的安全操作說明

### 適用研磨、砂磨、鐵刷、拋光與切割作業的一般安全說明：

- ▶ 本電子機具係設計用於研磨、砂磨作業、鐵刷、拋光、切孔器與切割作業。請詳讀該電動工具隨附的所有安全指示、說明、圖解和規定。未遵守下列所有說明可能會導致電擊、火災事故及 / 或嚴重的傷亡。



- ▶ 不要對該電動工具進行改裝，使其無法以機具製造商專為其設計和規定之方式操作。此類改裝可能會導致失控並造成人員傷害。
- ▶ 請勿使用非專為本機具研發設計且非機具製造商核准的配件。某配件即使可搭配在機具上，並不代表機具能夠安全操作。
- ▶ 配件工具的額定轉速，至少必須與標示在機具上的最大速率相同。配件的運轉速率如果比其標示的額定速率還快，可能會造成解體與飛散。
- ▶ 配件工具的外徑和厚度，必須在機具的額定範圍內。規格不正確的配件工具無法受到足夠的防護或控制。
- ▶ 配件工具之螺紋嵌件必須與軸心的螺紋相符。對於透過凸緣安裝的配件工具，其內孔直徑必須與凸緣支座直徑一致。未正確固定於機具上的配件工具會轉動不順、過度震動並造成機具失控。
- ▶ 勿使用受損的配件工具。每次使用配件工具前，都要先進行檢查，例如研磨砂輪應要查看是否有缺角和裂痕、襯墊有無裂痕、磨損或質地嚴重劣化、鐵刷的鐵絲是否有鬆動或斷裂情形。如果機具或配件工具掉落，請檢查是否有損毀，或請安裝完好的配件。檢查和安裝配件工具後，請您與旁觀者站到運轉中機具平面之外，並在未負載轉速的狀況下，持續讓機具以最快速度運轉一分鐘。若配件工具損壞，則通常會在測試過程中斷裂。
- ▶ 請穿戴個人防護裝備。請依應用穿戴合適的面罩、護目鏡或安全眼鏡。只要是在適當的情況下，請戴上防塵面罩、耳罩、保護手套和可以防止研磨顆粒或工件材料顆粒的工廠圍裙。請務必保護雙眼不要被各式加工作業所產生的碎片擊中。防塵面罩或口罩必須能確實過濾使用機具產生的粉塵。暴露在高分貝噪音中過久，會造成聽力損害。
- ▶ 請要求旁觀者與工作區保持安全距離。任何進入工作區的人員必須穿戴個人防護裝備。工件或破損的配件工具碎片可能會飛出，造成操作區旁的人員受傷。
- ▶ 在執行配件工具可能會接觸到隱藏線路之工作時，務必以握住絕緣握把的方式手持機具。若配件工具與帶電線路接觸，機具的金屬零件也可能會通電，造成操作員觸電。
- ▶ 請勿在配件工具完全靜止前，放下機具。若旋轉中的配件工具接觸到要放置機具的平面，則可能會造成機具失控。
- ▶ 請勿在攜帶機具的過程中將其啟動。您的衣物可能會被旋轉中的配件工具弄斷，將配件工具往您的位置拉。
- ▶ 請定期清理機具的通風孔槽。馬達風扇會將粉塵吸入機殼中，而堆積之金屬粉塵會造成電力風險。
- ▶ 請勿在靠近易燃材料處操作機具。火花可能會引燃這些易燃物。
- ▶ 請勿使用需要冷卻液的配件工具。使用水或其他冷卻液會造成觸電。

#### 反作用力與適用的安全說明

反作用力是碟片、襯墊、鐵刷或其他配件工具受到擠壓或斷裂時會出現的突然反應。如此或造成失控之機具朝配件工具旋轉方向的反方向轉動。

舉例來說，若研磨碟片斷裂或受到工件的擠壓，要進入擠壓點的碟片邊緣可能會鑽進材料的表面，使得碟片移位或故障。碟片可能會依照擠壓時的活動方向跳向或跳離操作員。研磨碟片也可能會在此情況之下斷裂。

反作用力為機具誤用和 / 或不當操作程序或情況的結果。採用如下所述之適當程序可避免此情況的發生。

- ▶ 請用雙手穩固地握住機具，並穩住您的雙臂和身體，以吸收反作用力。如果有的話，請使用輔助握把，以有效控制啟動時的反作用力或扭力。操作員可透過採取合適的預防措施以控制反作用力與應力。
- ▶ 請隨時讓手遠離旋轉中的配件工具。反作用力會造成配件工具穿過您的手臂。
- ▶ 請勿站立在發生反作用力發生時機具移動的範圍中。反作用力發生時，會在斷裂點將機具往轉輪旋轉的相反方向推。
- ▶ 處理尖角、銳利的邊緣時，請特別小心，並請防止配件工具從工件反彈及卡住。旋轉中的配件工具會卡在角落或尖銳的邊緣處，或從工件上反彈出來。如此會造成失控或產生反作用力。
- ▶ 請勿使用縫寬超過 10 mm 的鏟條鋸片、齒狀鋸片或節段型鑽石切割碟片。此類配件工具造成常常造成反作用力，而無法控制機具。

#### 研磨及打磨切割操作的安全說明：

- ▶ 僅可使用類型經認可可能搭配您電動機具使用的碟片，及專為該碟片設計之防護罩。使用非專為機具設計的碟片，將無法發揮正常防護功能且不安全。
- ▶ 偏移研磨碟片安裝時，需讓研磨表面不會超過防護罩的邊緣。安裝不當之研磨碟片會穿透防護罩邊緣表面且無法適當保護。
- ▶ 防護罩須確實連接至機具並放在最安全的位置，確保研磨碟片的碎片與操作員身體的接觸降至最低。防護罩可保護操作員，免於受到碎片擊傷、意外碰觸研磨碟片及衣服遭火花引燃的危險。
- ▶ 研磨碟片僅能用於本公司認可之應用。例如：請勿嘗試使用研磨轉切割轉輪的光滑面進行研磨。研磨切割轉輪用於以其圓周進行研磨。這些轉輪若側面受力會使其解體。
- ▶ 請務必針對選擇的碟片使用大小與形狀均正確的無破損碟片安裝凸緣。正確之凸緣可之撐研磨碟片、降低碟片損壞之風險。切割轉輪之凸緣與其他研磨碟片使用之凸緣不同。
- ▶ 請勿使用大型機具之磨損研磨碟片。大型機具使用的研磨不適合高速小型機具使用，且可能會造成破裂。
- ▶ 當您使用可重複使用兩次的研磨碟片時，一律要依據用途搭配專屬防護罩。若是使用了錯誤的防護罩，就不能提供充足的保護力，進而可能導致人員重傷。





**研磨切割的其他安全操作說明：**

- ▶ 請勿讓切割轉輪卡死或施以太大的壓力。不可作太深的切割。碟片超載會增加負載量，並可能造成切割時碟片扭曲或黏合，以及發生反作用力或碟片破損。
- ▶ 旋轉中的切割轉輪前後區域應保持淨空。當碟片在運轉的方向是轉離您的身體時，可能發生的反作用力會將旋轉中的碟片和機具直接推向您。
- ▶ 當轉輪黏合或因任何原因中斷切割，請關閉機具然後握住機具不動，直到轉輪完全停止轉動。切割轉輪還在作動時，切勿嘗試將它從切口中拔出，否則可能會產生反作用力。了解並採取更正措施，以消除碟片黏合的原因。
- ▶ 轉輪在切口內時，請勿再次啟動機具。請先讓切割轉輪達到全速運作，再小心地繼續切割。若轉輪在切口內重新啟動機具，可能會造成轉輪黏合，向上移動或產生反作用力。
- ▶ 材料板或過大的工件應予以支撐，以減少轉輪黏合及產生反作用力的風險。大型的工件可能因為其自身的重量而下垂。必須在工件下，靠近切割線和靠近工件轉輪兩側的邊緣加以支撐。
- ▶ 在牆上或其他盲蔽區域執行進刀切割時，請格外小心。進刀切割時，若轉輪切入瓦斯管或水管、電線或任何物件會造成反作用力。
- ▶ 請勿嘗試切割曲線。切割轉輪超載時，其負荷將增加，碟片更容易歪斜或卡死，產生反作用力或研磨碟片斷裂的機率隨之提高，如此一來就可能導致人員重傷。

**砂磨操作的特殊安全須知：**

- ▶ 請您務必使用正確尺寸的磨砂片。請您遵照製造商的磨砂片尺寸相關規定。磨砂片若是超出襯墊太多，將造成人員受傷，並導致磨砂片卡死、碎裂或產生反作用力。

**適用拋光操作的特殊安全說明：**

- ▶ 請注意拋光罩上不要有會鬆脫之零件，尤其是繫帶。請將繫帶收妥或改短。鬆脫、旋轉之繫帶會勾住您的手指或使工件裂開。

**鐵刷操作的特殊安全說明：**

- ▶ 請注意，即使是正常的操作下，鐵刷也會噴出鋼絲。請勿太過用力按壓鋼絲，而使其超載。鋼絲很容易刺穿輕薄的衣物和/或皮膚。
- ▶ 如果規定要使用防護罩，則請您避免防護罩與鐵刷接觸。鋼絲轉輪或鐵刷會因工作負載和離心力延長其直徑。

**2.3 其他安全須知****人員安全**

- ▶ 僅在本產品和配件能正常運轉時使用。
- ▶ 勿嘗試以任何方式改裝產品或配件。
- ▶ 以雙手握持機具本身握把。保持握把的乾燥、清潔，並避免讓油漬及潤滑劑出現在握把上。
- ▶ 在會製造灰塵，且沒有吸塵設備的場所使用本產品工作時，請務必配戴呼吸保護器。
- ▶ 請經常休息，並活動您的手指以促進血液循環。長時間暴露在劇烈震動下會造成手指、手掌和手腕的血管或神經系統失調。
- ▶ 不可碰觸旋轉中零件。僅在將本產品定位於工件位置上時，才能啟動電源。碰觸旋轉零件會導致受傷，特別是旋轉的配件工具。
- ▶ 請等候產品完全停止再將其放下。
- ▶ 本產品不應由疲憊不堪且未受特殊訓練的人員使用。將產品放置在兒童無法取得之處。
- ▶ 研磨、切割和鑽孔時產生的粉塵可能含有危險的化學物質。例如：鉛或以鉛為基底的顏料；磚塊、混凝土和其他建材產品、天然石材和其他含矽酸鹽的產品；橡木、山毛櫸等特定木材以及化學處理的木材；石棉或含有石棉的物質。根據操作員工作時接觸的物質危險等級來決定操作員和其他人員暴露在該環境的程度。採取必要的措施，以將暴露相關條件維持在安全等級上，例如：使用吸塵系統或配戴合適的防護面罩。降低在該環境下的暴露程度的一般措施包括：
  - ▶ 工作區域保持良好通風
  - ▶ 避免長時間接觸粉塵
  - ▶ 清除臉部和身體上的粉塵
  - ▶ 穿著防護衣，用水和肥皂清洗裸露在外的身體部位。
- ▶ 使用該產品時，使用者與周遭人員皆須配戴護目鏡、安全帽與聽力保護耳罩。
- ▶ 更換切割碟片時，請穿戴防護手套。觸摸配件工具會造成割傷或灼傷。
- ▶ 掉落的工具和配件有導致受傷的危險。開始作業前，請確認電池和安裝的附件已確實固定。
- ▶ 通風口請務必隨時保持暢通。因通風口被蓋住而有火災之虞！
- ▶ 請先將本產品移至加工位置上，才將它啟動。
- ▶ 請等候產品完全停止再將其放下。
- ▶ 當本產品偵測到運作超出極限或電池沒電時，馬達可能會無法再對機具進行煞車。
- ▶ 請勿將皮帶掛鉤固定在產品上。



### 小心使用和操作機具

- ▶ 必須依照製造商操作說明，謹慎貯放和處理研磨碟片。
- ▶ 使用本產品時務必配戴防護罩。
- ▶ 固定工件。使用夾具或桌上型老虎鉗來固定工件。這會比以手來握住工件更穩固，而且可以讓您空出雙手來操作產品。
- ▶ 請勿使用切割碟片來進行研磨作業。
- ▶ 鎖緊配件工具和凸緣。若配件工具和凸緣的螺帽沒有完全鎖緊，配件工具可能因機具關閉後機具馬達的制動效果而從軸心鬆開。

### 電力安全

- ▶ 開始工作前，請先檢查工作區域是否有隱藏的電纜線、瓦斯管或水管。電線、天然氣管線或水管若損壞，本產品外側上的金屬零件可能導致觸電或爆炸。
- ▶ 經常使用於導電材質的產品若是骯髒或積著粉塵，應交由Hilti維修中心檢查。機具表面附著的粉塵（尤其是來自可導電材質的粉塵）或濕氣，在非常不利的情況下可能會引發電擊事故。

### 工作場所

- ▶ 進行包含鑿穿的工作時，請於工件另一面一併採取適當的防護措施。因碎片可能會掉落並使他人受傷。
- ▶ 建築物或結構體負載牆上的裂縫（尤其是切割到鋼樑或承重零件時所產生的）可能會影響結構的穩定性。開始作業前，應先諮詢負責的結構工程師、建築師或工程負責人員。

### 有關使用防護罩的補充注意事項

為避免以下風險，一律必須使用正確的防護罩，請參閱章節：「適合裝備使用的碟片」。

- ▶ 使用配備前蓋的標準防護罩進行端面磨削時，防護罩可能接觸到工件，進而導致失控。
- ▶ 如果使用比最大允許厚度更粗的鐵刷，鋼絲可能會卡在防護罩上並斷裂。
- ▶ 使用標準防護罩搭配研磨切割碟片切割金屬時，有較高的風險受到火花和顆粒、以及在碟片斷裂的情況受到砂輪屑層的波及。
- ▶ 使用帶或不帶前蓋的標準防護罩切割和打磨混凝土或石材時，會增加暴露在粉塵的風險，並增加產品失控的風險，這可能導致反彈。

## 2.4 小心處理和使用電池

- ▶ 請遵守下列安全操作和使用鋰電池的安全注意事項。若未遵守，可能造成皮膚不適、嚴重腐蝕、化學燙傷、起火和/或爆炸。
- ▶ 請使用狀態完好無損的電池。
- ▶ 請小心處理電池，以避免其受損以及防止會嚴重危及健康的液體流出！
- ▶ 電池嚴禁修改或改装！
- ▶ 請勿拆解、擠壓或焚燒電池，且不可將電池置放在溫度超過80°C（176°F）的環境中。
- ▶ 電池受過衝擊或其他損壞後，請勿使用或充電。請定期檢查電池是否有損壞的跡象。
- ▶ 請勿使用回收或維修過的電池。
- ▶ 請勿將電池或電池供電之機具作為鎚子使用。
- ▶ 請勿讓電池暴露在直接日曬、溫度過高、有火花或明火的環境中，否則可能導致爆炸。
- ▶ 請勿用手指、工具、珠寶或其他會導電的物品觸摸電池極柱，否則可能導致電池損壞、財物損失和人員受傷。
- ▶ 電池應避免淋雨、潮濕和水氣。水氣滲入會造成短路、觸電、燙傷、起火和爆炸。
- ▶ 請使用適用於該電池型號的充電器與電動工具。請詳閱並遵守相關操作說明書中的說明。
- ▶ 請勿在易爆炸環境中使用或存放電池。
- ▶ 若電池溫度過高無法觸摸，表示電池可能已經毀損。將電池放在清楚可見且沒有火災危險、遠離易燃材料的位置。讓電池冷卻。若一小時後電池溫度仍然過高無法觸摸，表示電池可能已經毀損。請洽詢Hilti維修中心或詳讀「Hilti鋰電池安全注意事項和使用」文件。



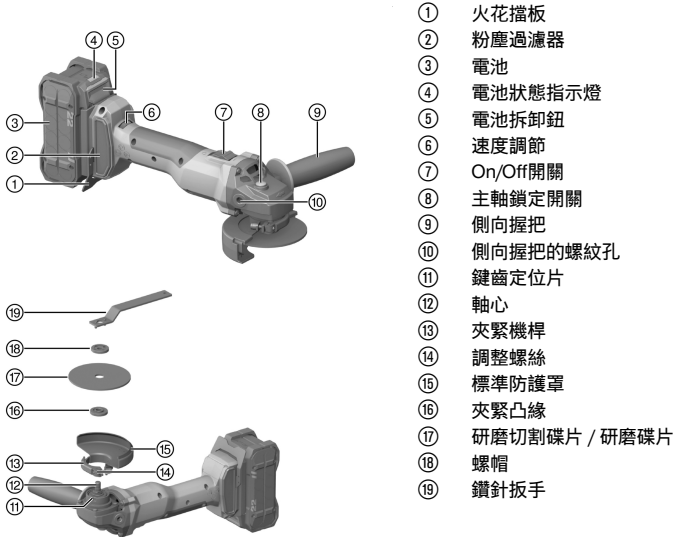
請遵守適用於運輸、存放和使用鋰離子電池的專用指令。→ 頁次 69

請透過本操作說明書末尾的條碼取得並詳讀Hilti鋰電池安全注意事項和使用。



### 3 說明

#### 3.1 產品總覽



- ① 火花擋板
- ② 粉塵過濾器
- ③ 電池
- ④ 電池狀態指示燈
- ⑤ 電池拆卸鈕
- ⑥ 速度調節
- ⑦ On/Off開關
- ⑧ 主軸鎖定開關
- ⑨ 側向握把
- ⑩ 側向握把的螺紋孔
- ⑪ 鍵齒定位片
- ⑫ 軸心
- ⑬ 夾緊機桿
- ⑭ 調整螺絲
- ⑮ 標準防護罩
- ⑯ 夾緊凸緣
- ⑰ 研磨切割碟片 / 研磨碟片
- ⑱ 螺帽
- ⑲ 鑽針扳手

#### 3.2 用途

本文所述產品為手持充電式角磨機。本機具專為切割與研磨金屬及礦材而設計，也可以用於刷洗、磨砂和砂紙作業，而且皆不需使用水。機具僅能為乾燥研磨 / 切割使用。

- 本產品限使用B 22Hilti Nuron系列鋰電池。為達最理想的效能，Hilti建議本產品使用本操作說明書末尾表格中所列的電池。
- 僅可使用本操作說明書末尾表格中所列的Hilti系列的電池充電器為電池充電。

#### 3.3 配備及數量

角磨機、側向握把、標準防護套、前蓋、夾緊凸緣、螺帽、鑽針扳手、粉塵過濾、操作說明。

關於本產品，您可於當地[www.hilti.group](http://www.hilti.group)或網站查詢其他經過認證可搭配使用的系統產品：Hilti Store

#### 3.4 主動扭力控制 (ATC)

本產品配備主動扭力控制 (Active Torque Control, ATC) 快速斷電系統。

若配件工具卡住或空轉時，產品會突然朝自身軸的反方向轉動。ATC會偵測到產品突然旋轉的動作，並且立刻關閉產品。

- 為了讓ATC可以正常運作，產品本身不能旋轉。  
在ATC斷電後，請關閉產品再開啟。

#### 3.5 馬達保護功能

馬達保護功能會監控消耗的電流與馬達溫度，進而避免產品過熱。

如果馬達壓力過載，機具效能便會明顯下降或完全停住。

- 如果產品空轉或是因過載造成轉速大幅降低，請鬆開所施加的壓力，讓它在無負載下運轉約30秒。



### 3.6 整合式煞車

整合式煞車可以降低機具關閉後到配件工具完全停止轉動的時間。

**i** 此功能只有在連接電源時才能正常運作。  
制動時間隨您所選用的配件工具而有所不同。

### 3.7 前蓋

在下列使用狀況，請使用配備前蓋的標準防護罩：

- 以直線研磨碟片進行研磨
- 以切割碟片進行切割

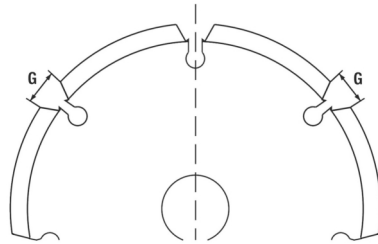
### 3.8 DG-EX 100/4"研磨用集塵罩 (配件)

本研磨系統僅適合於研磨礦材時偶而搭配鑽石杯輪使用。  
不可將此防護套用於金屬相關作業。

### 3.9 適用之鑽石開槽圓盤的尺寸與格式

鑽石開槽圓盤的尺寸與格式必須符合以下要求。

技術資料	
節段間的槽寬 (G)	≤ 10 mm
切割角度	負



### 3.10 鋰電池的顯示幕

Hilti Nuron鋰電池會顯示電池的電力、錯誤訊息和狀態。

#### 3.10.1 電力和錯誤訊息的顯示

##### 警告

有受傷的危險！因電池掉落

- ▶ 電池已插入時，請在按下拆卸鈕後確保電池重新正確地卡入所使用的產品中。

如欲獲得下列其中一個顯示畫面，請短按電池拆卸鈕。

只要已連接的產品已啟動，也會持續顯示充電狀態和可能的功能故障。

狀態	意義
四個 (4) LED持續亮綠燈	充電狀態：100 %至71 %
三個 (3) LED持續亮綠燈。	充電狀態：70 %至51 %
兩個 (2) LED持續亮綠燈。	充電狀態：50 %至26 %
一個 (1) LED持續亮綠燈。	充電狀態：25 %至10 %
一個 (1) LED緩慢閃綠燈。	充電狀態：< 10 %
一個 (1) LED快速閃綠燈。	鋰電池已完全沒電。裝入電池。 電池充電後若LED仍快速閃爍，請洽詢Hilti維修中心。
一個 (1) LED快速閃黃燈。	鋰電池或與之連接的產品過載、溫度太高、溫度太低或有其他故障情形。 請讓產品和電池維持在建議的操作溫度，並在使用時不要使產品過載。 若訊息持續存在，請洽詢Hilti維修中心。



狀態	意義
一個 (1) LED亮黃燈	鋰電池和與其連接的產品不相容。請聯絡Hilti維修中心。
一個 (1) LED快速閃紅燈	鋰電池已鎖定，無法繼續使用。請聯絡Hilti維修中心。

### 3.10.2 顯示電池狀態

如欲檢查電池狀態，請按住拆卸鈕3秒鐘以上。系統無法偵測到電池因掉落、刺穿、外部熱損傷等錯誤使用造成的潛在功能故障。

狀態	意義
所有LED以跑馬燈形式亮起，然後一個LED持續亮起綠色。	電池仍可繼續使用。
所有LED以跑馬燈形式亮起，然後一個LED快速閃爍黃色。	無法完成有關電池狀態的查詢。請重複上述程序或洽詢Hilti維修中心。
所有LED以跑馬燈形式亮起，然後一個LED持續亮起綠紅色。	若連接之產品仍可繼續使用，剩餘的電池容量會低於50%。 若連接之產品無法使用，表示電池已達最終使用壽命，應進行更換。請聯絡Hilti維修中心。

## 4 耗材

僅能使用經認可轉速至少11500 rpm且圓周速度為80 m/s工作的合成樹脂強化纖維碟片。

**注意！**使用研磨切割碟片進行切割或切縫時，必須安裝額外前蓋的標準防護套或是完全覆蓋的集塵罩。

### 碟片

型號	實務應用	名稱	施作基材	最大厚度	最大直徑
研磨切割碟片	切割、切縫	AC-D	金屬	2.5 mm	100 mm
鑽石切割碟片	切割、切縫	DC-TP, DC-D (SPX, SP, P)	礦材	3 mm	100 mm
研磨碟片	粗調研磨	AG-D, AF-D, AN-D	金屬	6.4 mm	100 mm
鑽石研磨碟片	粗調研磨	DG-CW (SPX, SP, P)	礦材	-	100 mm
鐵刷	鐵刷	3CS, 4CS, 3SS, 4SS	金屬	- 27 mm	75 mm 100 mm
研磨樹脂纖維碟片	粗調研磨	AP-D	金屬	-	100 mm

### 適合裝備使用的碟片

項目名稱		AC-D	AP-D	AG-D、AF-D、AN-D	DG-CW (SPX、SP、P)	DC-TP、DC-D (SPX、SP、P)	3CS、4CS、3SS、4SS、DD-M14
A	防護罩 (標準)	✓	✓	✓	✓	✓	✓
B	前蓋 (搭配A)	✓	—	—	—	✓	—
C	集塵罩 (研磨 DG-EX 100/4")	—	—	—	✓	—	—
D	側向握把 (標準)	✓	✓	✓	✓	✓	✓
E	螺帽 (標準)	✓	—	✓	✓	✓	—
F	夾緊凸緣 (標準)	✓	—	✓	✓	✓	—
G	螺帽 (研磨樹脂纖維碟片)	—	✓	—	—	—	—
H	支撐盤 (研磨樹脂纖維碟片)	—	✓	—	—	—	—



	<b>AG 4S-22-100</b>
額定電壓	21.6 V
額定速率	8,500 rpm
最大碟片直徑	104.9 mm
重量 (依據EPTA程序01) 不含電池	1.9 kg
起子軸螺紋	10
主軸長度	16 mm
操作時的環境溫度	-17 °C ... 60 °C (1 °F ... 140 °F)
貯放溫度	-20 °C ... 70 °C (-4 °F ... 158 °F)

**5.1 電池**

電池操作電壓	21.6 V
電池重量	請參閱本操作說明書結尾處
操作時的環境溫度	-17 °C ... 60 °C (1 °F ... 140 °F)
貯放溫度	-20 °C ... 40 °C (-4 °F ... 104 °F)
電池充電啟動溫度	-10 °C ... 45 °C (14 °F ... 113 °F)

**5.2 噪音資訊和震動值 (量測標準依據62841-2-3:2021)**

操作說明中所提供之音壓和震動值已參照標準測量，並可用來比較不同機具之噪音。它們也可作為噪音量的初步評估。

提供之資料表示機具主要應用時之數值。若電子機具應用於不同之用途，搭配不同的嵌件工具或在保養不良的情況下，其數據可能有所不同。在作業過程中，這有可能大幅提高其噪音量。

當電動工具關閉，或開啟但未進行任何作業時也應列入考量，才能準確評估噪音量。在作業過程中，這會大幅降低其噪音量。

確認其他安全措施，以保護操作員不受噪音和 / 或震動影響，例如：保養機具與其嵌件工具、操作前保持雙手溫暖、作業型式之安排等。

研磨金屬薄片或其他具較大表面且易於震動的結構時，可能會產生遠大於所標明噪音值的較高噪音排放。

透過降噪措施，例如裝上厚重、柔韌的隔音墊等，即可降低產生的噪音排放。進行噪音暴露的危害評估以及選擇合適耳罩時，請務必將此提高的噪音值納入考量。

**噪音資訊**

	<b>AG 4S-22-100</b>
釋放的音壓級數 ( $L_{pA}$ )	84 dB(A)
無法判定的音壓級數 ( $K_{pA}$ )	3 dB(A)
聲功率級數 ( $L_{WA}$ )	92 dB(A)
無法判定的聲功率級數 ( $K_{WA}$ )	3 dB(A)

**震動資訊**

如切割等其他用途可能會產生不同於這些指定值的震動值。

	<b>AG 4S-22-100</b>	
表面研磨 ( $a_{h,AG}$ )	<b>B 22-55</b>	4.4 m/s <sup>2</sup>
	<b>B 22-255</b>	3.7 m/s <sup>2</sup>
無法判定 (K)		1.5 m/s <sup>2</sup>



## 6 工作場所的準備工作

### 警告

有受傷的風險！因意外啟動

- ▶ 置入電池前，請確認產品已關閉。
- ▶ 在調整機具或變更配件前請先將電池拆下。

請遵守本文中與產品上的安全說明和警告。

### 6.1 為電池充電

1. 電池充電前，請閱讀充電器的操作手冊。
2. 確認電池的接點和充電器的接點清潔且乾燥。
3. 請使用經認可的充電器對電池充電。→ 頁次 61

### 6.2 置入電池

#### 警告

有受傷的危險 因短路或電池掉落！

- ▶ 置入電池前，請確認電池的接點及產品的接點上無任何異物。
- ▶ 確認電池已確實咬合。

1. 初次使用前，請將電池完全充電。
2. 將電池推入產品中，直到聽到卡入聲。
3. 請檢查電池是否安裝牢固。

### 6.3 卸下電池

1. 按下電池拆卸鈕。
2. 將電池從產品卸下。

### 6.4 Hilti安裝固定帶（選配）



使用本產品作業時，必須遵守於高處作業的相關國家法規。  
請遵照防掉落擊發裝置的操作說明書。

1. 請將防掉落擊發裝置的兩個卡舌準確地放置在火花擋板上。
2. 使用相配的螺絲將固定防掉落擊發裝置，穿過火花擋板的安裝孔位。
3. 安裝電池。→ 頁次 65

### 6.5 防墜安全裝置

#### 警告

受傷危險 因工具和/或配件掉落所致！

- ▶ 請您務必使用本公司建議與本產品搭配使用的Hilti工具繫繩吊環。
- ▶ 每次使用前，應要檢查工具繫繩吊環的固定點有無損壞跡象。



請您遵守各國的高處作業規範。

請僅使用Hilti防掉落擊發裝置#2293133和Hilti工具繫繩吊環#2261970的組合，作為本產品的防墜保護。

- ▶ 將防掉落擊發裝置固定在配件的安裝開口內。檢查其是否確實牢固。
- ▶ 將工具繫繩吊環的一個彈簧鈎扣固定在防掉落擊發裝置上，再將另一個彈簧鈎扣固定在具支承功能的結構上。檢查兩個彈簧鈎扣是否確實牢固。



請遵守Hilti防掉落擊發裝置和Hilti工具繫繩吊環的操作說明書。



## 6.6 安裝側向握把

- ▶ 將側向握把旋轉至有螺紋套管的位置。

## 6.7 安裝及卸下防護套

### 注意

有受傷的危險！ 配件可能會非常燙或是有尖銳的邊緣。

- ▶ 安裝、卸下或調整配件或其他零件，以及排除故障時，請穿戴手套。

- ▶ 請遵守操作說明安裝適用的防護套。

### 6.7.1 安裝標準防護套

防護套設有鍵齒，確保只有產品適用的防護套類型可安裝上去。鍵齒定位片也可以避免防護套接觸工具。

1. 打開夾緊機桿。
2. 將保護套安裝在軸心圈上，如此一來鍵齒定位片會咬合在其中的凹洞上。
3. 將防護套旋轉至所要的位置。
4. 關閉夾緊機桿以穩固防護套。

保護套已藉由調整螺絲預先設定在正確的夾緊直徑。如果防護套安裝之後感覺過鬆，可使用調整螺絲讓夾緊力道些微增加。

### 6.7.2 調整標準防護套

1. 打開夾緊機桿。
2. 將防護套旋轉至所要的位置。
3. 關閉夾緊機桿以穩固防護套。

### 6.7.3 卸下標準防護套

1. 打開夾緊機桿。
2. 轉動防護套，直到鍵齒定位片與鍵齒定位溝對齊再將防護套拆下。

## 6.8 安裝或卸下前蓋

標準防護套上必須有前蓋。

1. 將前蓋以關閉側朝上的方式裝在標準防護套上。
  - ▶ 鎖定裝置必須聽到咬合的喀啦聲。
2. 拆卸時，請將前蓋鎖定裝置打開。
3. 將前蓋從標準防護套上卸下。

## 6.9 安裝及卸下配件工具

### 注意

有受傷的危險！ 配件可能變得很熱。

- ▶ 請在更換配件時戴上防護手套。

如果鑽石切割碟片的切割或研磨效果已大幅下降時，請務必更換碟片。在這種情況下，節段厚度可能已小於2 mm。

如果其他碟片的切割效果已大幅下降，或是角磨機的其他部位會在工作時接觸到施作基材時，請務必更換碟片。

如果已達到保存期限時，必須更換研磨碟片。





### 6.9.1 安裝配件工具 ③

#### 警告

有受傷的危險！可能因為馬達的制動作用而造成配件鬆開。

- ▶ 應先等待配件完全停止，才能接觸或握住配件或螺帽。
- ▶ 確實鎖緊夾緊凸緣或螺帽以固定配件，如此一來零件就不會因馬達的制動作用而從主軸鬆開。

1. 將夾緊凸軸安裝至軸心上。
2. 安裝配件工具。
3. 依照安裝的配件工具類型將螺帽旋上。
4. 按下主軸鎖定開關，並按住不動。
5. 使用鑽針扳手穩固地旋緊夾具螺帽，然後鬆開主軸鎖定開關並取下扳手。

### 6.9.2 卸下配件工具

#### 警告

破損和無法修復的危險。如果在主軸旋轉時按下主軸鎖定開關，配件工具會從機具上分離。

- ▶ 當主軸停止旋轉後，才可以按下主軸鎖定開關。
1. 按下主軸鎖定開關，並按住不動。
  2. 使用鑽針扳手以逆時針方向旋轉螺帽，將螺帽鬆開。
  3. 鬆開軸心鎖定按鈕並卸下配件工具。

### 6.9.3 安裝鐵刷 ⑨

1. 安裝側向握把。→ 頁次 66
2. 安裝標準防護套。
3. 將鐵刷固定並以手鎖緊。
4. 按下主軸鎖定開關，並按住不動。
5. 使用適合的六角開口扳手鎖緊鐵刷。
6. 然後鬆開主軸鎖定開關並卸下六角開口扳手。

### 6.9.4 安裝研磨樹脂纖維碟片 ⑩

1. 安裝側向握把。→ 頁次 66
2. 安裝標準防護套。
3. 將支撐盤與研磨樹脂纖維碟片裝上，並旋轉螺帽將之鎖緊。
4. 按下主軸鎖定開關，並按住不動。
5. 使用鑽針扳手鎖緊螺帽。
6. 鬆開主軸鎖定開關並卸下鑽針扳手。

## 7 操作

### 7.1 開啟開關

1. 按下On/Off開關的後段。
2. 將On/Off開關往前推。
  - ▶ 馬達轉動。
3. 鎖住On/Off開關。

### 7.2 研磨

#### 警告

有受傷的危險！配件可能會停住或失速。

- ▶ 使用該產品時請使用側向握把並始終以雙手握住產品。

不要讓配件工具卡住，以避免對產品過度施壓。



### 7.3 切割

- ▶ 進行研磨切割時，應施用適當壓力且不得將機具或切割碟片傾斜（工作時，請固定在切割表面約90°）。



切割輪廓或小段矩形管時為得到最好的效果，先從最小截面積開始切割。

### 7.4 粗調研磨



#### 警告

有受傷的危險！研磨切割碟片可能會碎裂，飛出的碎片可能會導致受傷。

- ▶ 請勿使用研磨切割碟片來進行研磨作業。
- ▶ 施用適當壓力，保持5°到30°的施力角度來回移動產品。
  - ▶ 這將會避免工件過熱及變色，且有助於保持表面加工平均。

### 7.5 關閉開關

- ▶ 按下On/Off開關的後段。
  - ▶ On/Off開關會跳到關閉位置且馬達會停止。

## 8 維護及保養



#### 警告

電池裝入時有受傷的危險！

- ▶ 進行維護及保養前，請務必卸下電池！



#### 危險

因保護絕緣失效而造成電擊。在極端不良的情況下以機具處理金屬時，導電的粉塵（例如金屬、碳纖維）可能會累積在機具中，進而影響保護絕緣。

- ▶ 在極端條件下工作時，請使用固定式除塵系統。
- ▶ 經常清潔通風口。

### 產品保養

- 小心地清除頑強的髒污。
- 僅可使用微濕的軟布清潔機殼。請勿使用含矽膠的清潔或亮光劑，因為可能會造成塑膠零件損壞。
- 請使用乾淨的乾布清潔產品的接點。

### 鋰電池的保養

- 通風口堵塞時請勿使用電池。請使用乾燥的軟刷子小心地清潔通風口。
- 請避免電池暴露在粉塵或髒污的環境之中。請勿讓電池接觸過高的濕氣（例如：浸入水中或淋雨）。電池若濕透，請將該電池視為已受損。請將電池隔絕在不可燃的容器內，並洽詢Hilti維修中心。
- 避免電池沾上油脂。避免讓電池上積聚粉塵或髒污。請使用乾燥的軟刷或乾淨的乾布清潔電池。請勿使用含矽膠的清潔或亮光劑，因為可能會造成塑膠零件損壞。請勿觸摸電池的觸點或從觸點上去除出廠塗敷的油脂。
- 僅可使用微濕的軟布清潔機殼。請勿使用含矽膠的清潔或亮光劑，因為可能會造成塑膠零件損壞。

### 維護

- 定期檢查外部零件和控制元件有無損壞跡象，並確認它們運作正常。
- 如果有損壞跡象及/或任何零件功能故障，請不要操作本產品。請將產品交付Hilti維修中心進行維修。
- 維護及修復作業後，裝上所有保護裝置並檢查功能是否正常。



為確保操作的安全及可靠性，請務必使用原廠Hilti備件與耗材。您可以在Hilti Store或在以下網站選購Hilti認可的備用零件、耗材和配件：[www.hilti.group](http://www.hilti.group)



## 9 充電式機具和電池的運輸與存放

### 搬運

#### 注意

搬運時意外啟動！

▶ 搬運產品時務必卸下電池！

- ▶ 取出電池。
- ▶ 切勿散裝運輸電池。運送過程中，應保護電池避免衝擊與震動並與導電物質或其他電池隔離，以免因與電池端子接觸而造成短路。請遵守您所在地當地的電池運輸規範。
- ▶ 請勿以郵寄方式遞送電池。若要運送未損壞之電池，請洽詢運送服務商。
- ▶ 每次使用前以及長途運輸前後請檢查本產品和電池是否受損。

### 設備的貯放

#### 警告

瑕疵或漏液的電池所造成的意外損害！

▶ 存放產品時，一律不可插入電池！

- ▶ 請將本產品和電池存放在陰涼及乾燥處。請遵守技術性數據中所規定的溫度極限值。
- ▶ 請勿將電池貯放在充電器中。完成充電程序後，請將電池從充電器取出。
- ▶ 請勿將電池存放在有日光直射處、熱源上或玻璃後方。
- ▶ 請將本產品和電池存放在兒童或未授權人員無法觸及的地點。
- ▶ 每次使用前以及長時間存放前後請檢查本產品和電池是否受損。

## 10 故障排除

發生任何故障時，請您留意電池充電狀態及故障指示燈。請參閱**鋸電池指示器**章節。

若您遇到未列出的問題或是無法自行排除的問題，請聯絡**Hilti**維修中心。

故障	可能原因	解決方法
產品無法開啟。	電池電量不足。	▶ 更換電池，並對無電量的電池再次充電。
本電池較一般電池壽命短。	周遭環境溫度極低。	▶ 將電池放在室溫下緩慢升溫。
電池咬合時不會發出兩聲喀啦聲。	電池上的卡榫太髒。	▶ 清潔卡榫並重新安裝電池。
角磨機變得很燙。	電力故障	▶ 立即關閉本產品，取出電池，觀察電池，讓它冷卻，並聯絡 <b>Hilti</b> 維修中心。
	通風口堵塞	▶ 請定期清潔通風口。
馬達沒有制動作用。	電池電量不足。	▶ 更換電池，並對無電量的電池再次充電。
	產品瞬間過載。	▶ 將產品先關閉再開啟。

## 11 廢棄設備處置

#### 警告

不當的廢棄物處理可能導致人員受傷！洩漏出來的氣體或液體有害健康。

- ▶ 請勿以郵寄方式寄送電池。
- ▶ 將電池端子蓋上不導電物質（例如絕緣膠帶）以避免短路。
- ▶ 請將電池棄置於兒童無法觸及的地方。
- ▶ 請將該電池送交**Hilti Store**處理或洽詢權責的廢棄處理公司。

**Hilti**產品所採用的材料大部分均可回收再利用。材料在回收前必須正確地分類。**Hilti**在許多國家都有提供老舊機具回收服務。請洽詢**Hilti**客服中心或您在地經銷商。



- ▶ 不可將電動工具、電動裝置和電池當成一般垃圾丟棄！



## 12 製造商保固

► 如果您對於保固條件有任何問題，請聯絡當地Hilti代理商。

Hilti Taiwan Co., Ltd.

24F., No. 16, Xinzhan Rd., Banqiao Dist., New Taipei City 220, Taiwan (R.O.C.)

Tel. 0800-221-036

## 13 其他資訊

有關於操作、技術、環境和回收的更多資訊，請參考以下連結：


[qr.hilti.com/manual/?id=2252233&id=2252235&id=2251374](http://qr.hilti.com/manual/?id=2252233&id=2252235&id=2251374)

您也可在文件最後找到本連結的QR碼。

# 原版操作說明

## 1 关于本操作说明的信息

### 1.1 关于本操作说明

- **警告！** 在使用本产品之前，请确保您已阅读并理解产品随附的操作说明，包括说明、安全和警告通知、插图和规格。尤其要熟悉所有说明、安全和警告通知、插图、规格、组件和功能。否则可能会导致触电、火灾和/或严重伤害的风险。保存操作说明，包括所有说明、安全和警告通知，以供以后使用。
- **HILTI** 产品经设计适用于专业用户，只有经过专门训练的授权人员才允许操作、维修和维护本产品。必须将任何可能的危险专门告知该人员。不按照说明使用或由未经培训的人员不正确地使用本产品及其辅助设备可能会带来危险。
- 随附的操作说明符合印刷时的最新技术水平。始终在 Hilti 产品页面上在线查找最新版本。为此，请点击这些操作说明中标有  符号的链接或二维码。
- 仅将产品连同本操作说明一起交给他人。

### 1.2 所用标志的说明

#### 1.2.1 警告

警告是为了提醒您在处理或使用此产品时会发生的危险。使用以下信号词：



**-危险-**

**危险！**

► 用于让人们能够注意到会导致严重身体伤害或致命的迫近危险。



**-警告-**

**警告！**

► 用于提醒人们注意可能导致严重或致命伤害的潜在危险。



**-小心-**

**小心！**

► 用于提醒人们注意可能造成人身伤害、设备损坏或其他财产损失的潜在危险情况。

#### 1.2.2 操作说明中的符号

本操作说明中使用下列符号：



遵守操作说明



使用说明和其他有用信息



处理可回收材料



	不得将电气设备和电池作为生活垃圾处置
	Hilti 锂离子电池
	Hilti 充电器

### 1.2.3 图示中的符号

图示中使用了下列符号：

	这些编号指本操作说明开始处的相应图示。
3	图示中的编号反映操作顺序，可能与文本中描述的步骤不同。
	位置编号被用于 概览 图中并表示 产品概览 段落中的图例编号。
	这些字符旨在提醒您特别注意操作本产品时的某些要点。

## 1.3 与产品相关的符号

### 1.3.1 产品上的符号

产品使用的符号如下：

	请戴上护目装置。
$n_0$	额定空载转速
/min	每分钟转数
RPM	每分钟转数
$\varnothing$	直径
---	直流电
	不带标准护罩的情况下进行切割作业。
	始终用双手操作。
	本产品支持近场通信 (NFC) 技术，兼容 iOS 和安卓平台。
Li-Ion	锂离子电池
	切勿将电池用作敲击工具。
	请勿让电池掉落。切勿使用受到撞击或有任何损坏的电池。

## 1.4 产品信息

产品经设计适用于专业用户，只有经过专门训练的授权人员才允许操作、维修和维护本产品。必须将任何可能的危险专门告知该人员。不按照说明使用或由未经培训的人员不正确地使用本产品及其辅助设备可能会带来危险。

型号名称和序列号印在铭牌上。

- 在下表中填写序列号。在联系 Hilti 维修中心或当地 Hilti 机构询问产品时，将要求您提供产品的详细信息。

#### 产品信息

充电式角磨机	AG 4S-22-100
代次	02
序列号	



## 1.5 符合性声明

制造商全权负责声明，此处所述及的产品符合现行法规和标准。一致性声明副本位于本文档结尾处。技术文档在此处归档：

Hilti Entwicklungsgesellschaft mbH | Tool Certification | Hiltistrasse 6 | D-86916 Kaufering, Germany

## 2 安全

### 2.1 一般电动工具安全警告

**警告** 请阅读本电动工具随附的所有安全警告、说明、图示和技术规范。不遵守下列所有操作说明可能会导致电击、火灾和/或严重人身伤害。

请保存所有安全警告和操作说明，以供将来参考。

在所有下列的警告中术语“电动工具”指市电驱动(有线)电动工具或电池驱动(无线)电动工具。

#### 工作区域安全

- ▶ 保持工作区域清洁和良好照明。杂乱和黑暗的区域容易导致事故。
- ▶ 不要在爆炸性环境中操作电动工具，例如有易燃液体、气体或灰尘。电动工具会产生可以点燃这些灰尘或烟雾的火花。
- ▶ 在操作电动工具时，要令儿童和旁观者远离工作现场。万一分心，可能会使您失去对电动工具的控制。

#### 电气安全

- ▶ 电动工具(设备)插头必须匹配电源插座。切勿以任何方式改动插头。对于接地的电动工具(设备)，不要使用任何适配器插头。使用未经改动的插头和匹配的电源插座可以大大减少电击危险。
- ▶ 避免人体接触接地表面，如管道、散热片和冰箱。如果您的身体接地，则会增加电击危险。
- ▶ 不要将电动工具暴露在雨水或潮湿环境中。电动工具进水将会增加电击危险。
- ▶ 不要滥用电缆。切勿使用电缆运送、拉动或拔出电动工具。保持电缆远离高温、油、锋利边缘或运动部件。电缆损坏或缠绕会增加电击危险。
- ▶ 当在户外操作电动工具时，应使用经认可适合户外操作的加长电缆。使用适合户外使用的电缆可减少电击危险。
- ▶ 如果在潮湿环境下操作电动工具是不可避免的，应使用剩余电流动作保护器(RCD)。使用RCD可减小电击危险。

#### 人身安全

- ▶ 保持警觉，注意您正在进行的工作，并在操作电动工具的过程中，应利用自己的判断能力。当您疲劳或受到药物、酒精或医疗影响时，请不要使用电动工具。当操作电动工具时，瞬间的分心都可能导致严重的人身伤害。
- ▶ 使用个人防护装备。一定要戴上护目装置。安全装置，诸如适当条件下使用防尘面具、防滑安全鞋、安全帽、听力防护等装置能减少人身伤害。
- ▶ 防止电动工具意外启动。在连接至电源和/或电池组、拿起或搬运电动工具之前，应确保开关处于“关闭”位置。将手指放在开关上搬运电动工具或在开关处于“打开”位置时接通电源，都可能会导致事故发生。
- ▶ 在打开电动工具之前，必须拿掉任何调整键或扳手。让扳手或调整键留在电动工具的旋转部件上可能会导致人身伤害。
- ▶ 不要操之过急。应时刻保持正确的站姿和平衡。这在意外情况下能够更好地控制电动工具。
- ▶ 应确保正确着装。不要穿着松垮的衣服或佩戴首饰。让头发和衣服远离运动部件。松垮的衣服、首饰或长发会卡在运动部件中。
- ▶ 如果提供有用于连接除尘和集尘设施的装置，应确保将它们连接好并正确使用。使用除尘装置可以减少与灰尘相关的危险。
- ▶ 经常使用工具能令您获得较高的熟练度，但不能因此掉以轻心和忽视工具安全准则。一次不慎操作就会在瞬间导致重伤。

#### 电动工具的使用和维护

- ▶ 不要强制使用电动工具。针对您的应用场合使用正确的电动工具。正确的电动工具在其额定设计值范围内将能够更好和更安全地工作。
- ▶ 如果通过开关不能使其打开和关闭，则请不要使用电动工具。任何不能通过开关进行控制的电动工具都是危险的，必须对其进行修理。
- ▶ 在进行任何调整、更换配件或存放电动工具之前，应从电源上断开插头和/或从电动工具上拆下电池组(若可拆卸)。此预防性安全措施可减少意外启动电动工具的危险。
- ▶ 将不用的电动工具存放在儿童拿不到的地方，并且不要让不熟悉电动工具或其操作说明的人员操作电动工具。未经培训的用户操作电动工具是危险的。
- ▶ 维护电动工具和配件。检查是否存在运动部件失调或卡滞、部件断裂和任何其它影响电动工具操作的情况。如果存在损坏，则在使用之前应修理电动工具。许多事故都是由于电动工具维护不良造成的。
- ▶ 保持切削工具锋利和清洁。带锋利切削刃的切削工具如果维护得当，很少会发生卡滞且更容易控制。



- ▶ 按照使用说明书，考虑作业条件和进行的作业来使用电动工具、附件和工具的刀头等。将电动工具用于指定用途以外的场合会导致危险。
- ▶ 使手柄和抓握面保持干燥、清洁且没有油脂。如果手柄和抓握面打滑，将无法在意外情况下安全操作或控制本工具。

#### 无绳 (电池操作) 工具/设备的使用和维护

- ▶ 充电时只能使用制造商指定的充电器。适合某种类型电池组的充电器如果被用于为另一类型电池组充电，则可能会带来火灾危险。
- ▶ 只能使用专用电池组为电动工具供电。使用任何其它电池组可能会带来人身伤害和火灾。
- ▶ 当电池组不用时，应使其远离其它金属物体，例如纸夹、硬币、钥匙、钉子、螺钉或其它小的金属物体，以免造成短路。如果电池端子被短路，则会造成人员烧伤或火灾。
- ▶ 如果持续滥用电池，则可能会造成液体从电池中喷射出来；注意避免接触到液体。如果意外接触到液体，应用水冲洗。如果液体接触眼睛，除了用大量清水冲洗外，还应立即就医。从电池中喷射出来的液体会导致疼痛或灼伤。
- ▶ 不要使用损坏或改装过的电池组或工具。损坏或改装过的电池会造成不可预测的情形，导致火灾、爆炸或受伤风险。
- ▶ 不要将电池组或工具暴露在明火或过高的温度中。暴露在明火或超过 130 °C (265 °F) 温度中可能导致爆炸。
- ▶ 遵守所有充电说明，且不要在使用说明规定的温度范围之外对电池组或工具充电。充电不正确或在规定温度范围之外充电会损坏电池并增加火灾风险。

#### 保养

- ▶ 将您的电动工具送交专业维修人员，使用同样的备件进行修理。这样才可确保维持电动工具 (设备) 的安全性。
- ▶ 切勿擅自维修损坏的电池组。仅可由制造商或授权服务提供商执行电池组的维修。

## 2.2 适用于所有作业类型的安全说明

### 适用于磨削、砂磨加工、钢丝刷光、抛光和切削操作的一般安全说明：

- ▶ 本电动工具设计用于研磨、砂纸打磨、钢丝刷光、抛光、开孔和切割。请注意您通过本设备获得的所有安全说明、指示、图示和数据。不注意以下指示可能会导致电击、火灾和/或严重人身伤害。
- ▶ 请勿对本电动工具进行改装，使其以一种并非由工具制造商专门设计和规范的方式工作。这种改装可能导致失控，从而致使人员重伤。
- ▶ 不要使用并非由工具制造商专门开发和批准的附件。可将某种附件连接至您的电动工具，这并不表示它一定能用于安全应用。
- ▶ 配套工具的额定转速必须至少等于电动工具上标记的最大转速。如果附件旋转快于其额定转速，则可能会导致其断裂和飞离电动工具。
- ▶ 配套工具的外径和厚度必须在电动工具的额定范围内。尺寸不正确的配套工具不利于进行有效防护或控制。
- ▶ 带螺纹套的配套工具必须与心轴的螺纹相匹配。通过法兰安装配套工具时，配套工具的孔直径必须与法兰的安装直径相匹配。如未正确固定在电动工具上，配套工具将出现旋转不规则和剧烈振动，进而导致工具失控。
- ▶ 请勿使用损坏的配套工具。每次使用前请检查配套工具，例如检查砂轮是否碎裂、出现裂纹，磨垫是否出现裂纹、磨损或严重磨损，钢丝刷是否松动或出现钢丝断裂。如果电动工具或配套工具掉落，则应检查其是否存在损坏或安装未损坏的配套工具。在检查并安装配套工具后，让自己和旁观者都远离旋转工具平面，并令电动工具在最大转速下空载运行一分钟。如果配套工具已损坏，通常在此测试期间会发生断裂。
- ▶ 穿戴个人防护装备。根据应用情况，戴上防护面罩、护目装置或护目镜。视情况而定，穿戴防尘面具、护耳装置、防护手套或车间工作围裙，以避免受到研磨颗粒和加工件材料颗粒的侵害。必须保护好眼睛，以免受到各类机器操作产生的飞溅碎片的伤害。防尘面罩或呼吸防护面具必须能够过滤掉使用电动工具时产生的灰尘颗粒。长期处于高强度噪音下会导致听力丧失。
- ▶ 确保旁观者处于远离工作区域的安全位置。进入工作区域的任何人都必须穿戴个人防护装备。工件的碎片或破裂的配套工具可能会飞出，并可能对直接工作区域以外的人员造成人身伤害。
- ▶ 如果配套工具的工作区域可能接触到隐藏的线束，只能握住电动工具的绝缘把手表面进行操作。接触到带电导线会使设备的金属件带电，从而使操作者受到电击。
- ▶ 在配件完全停止之前，切勿放下电动工具。如果让旋转的配套工具触碰到放置电动工具的表面，电动工具会失控。
- ▶ 带着电动工具走动时切勿启动它。您的衣物可能被卷入旋转的配套工具，从而将配套工具拉至您的身体。
- ▶ 定期清洁电动工具的通风孔。电机风扇将粉尘吸入壳体，积聚的金属粉尘可能会导致电气危险。
- ▶ 不要在易燃材料附近操作电动工具。否则产生的火花可能会引燃这些物质。
- ▶ 不要使用需要液态冷却剂的配件。使用水或其它液态冷却剂可能会导致电击。



## 反冲及相应安全说明

反冲是旋转中的砂轮、磨垫、钢丝刷或任何其它配件被压紧或受到阻碍时的突然反作用力。这会对电动工具产生作用力，导致电动工具沿着与阻碍点处配件旋转相反的方向发生不受控制的移动。

例如，当砂轮被加工件阻挡或挤压住时，进入挤压点的砂轮边缘会切入材料的表面，从而导致砂轮蹬动或弹出。砂轮可能跳向或跳离操作者，这取决于砂轮在阻碍点处的运动方向。砂轮在这种情况下还会发生断裂。电动工具使用不当和/或操作程序或条件不正确都可能会导致反冲。反冲可以通过采取以下预防措施加以避免。

- ▶ 保持双手牢牢握住电动工具，并将身体和手臂置于可吸收反冲力的位置。应始终使用辅助手柄（若配备），以便最大限度地控制住启动时的反冲力或反作用扭矩。通过采取适当的预防措施，操作员可以控制反冲力和反作用力。
- ▶ 务必使手部远离旋转配套工具。反冲可能导致配套工具穿过您的手部。
- ▶ 不要将身体置于发生反冲时电动工具的运动范围内。在旋转砂轮受到阻碍时，反冲力将会导致电动工具沿着与阻碍点处砂轮旋转相反的方向发生不受控制地移动。
- ▶ 在拐角、锋利边缘等处工作时应特别小心。避免旋转配件弹起和受到阻碍。旋转配套工具进入拐角和锋利边缘或从工件上弹起时很可能卡住。这会导致电动工具失控或反冲。
- ▶ 不要使用链锯片或有齿锯片，以及槽宽超过 10 mm 的分段式金刚石砂轮。此类装置会导致电动工具频繁反冲和失控。

## 有关研磨和切割的特殊安全说明：

- ▶ 请仅使用经批准用于您的电动工具的磨具以及设计用于该磨具的防护罩。并非为本电动工具专门设计的磨具不利于进行有效防护，而且是不安全的。
- ▶ 安装偏置砂轮时，必须确保其研磨表面不超出防护罩边缘所在平面。安装不当且探出防护装置边缘所在平面的砂轮将无法得到充分防护。
- ▶ 防护罩必须牢固地安装在电动工具上，其安装位置应确保最大安全性，尽量减小朝向操作员的外露砂轮部分。防护罩有助于保护操作者免受飞溅碎片的伤害、避免意外接触到砂轮以及避免飞溅的火花引燃衣服。
- ▶ 磨具只允许用于批准的用途。例如：切勿尝试使用切割砂轮的侧面进行研磨。切割砂轮专门用于使用砂轮的棱边去除材料。如果对该磨具施加侧向力，可能会导致破裂。
- ▶ 始终为所选砂轮使用尺寸和外形正确且完好无损的夹紧法兰。合适的法兰能保护砂轮并降低砂轮破裂的危险。切割砂轮的法兰可能与其它砂轮的法兰不同。
- ▶ 不要使用大型电动工具上已磨损的砂轮。专门用于大型电动工具的砂轮不适合用于转速更高的小型电动工具，会发生损坏。
- ▶ 在使用两用磨具时，请始终使用专门为相关用途设计的防护罩。使用错误的防护罩可能起不到足够的保护作用，从而可能导致严重伤害。

## 有关切割的其它特殊安全说明：

- ▶ 注意不要卡住切割砂轮或对其施加过大的压力。切割深度不得过大。如果切割时对切割砂轮施加的压力过大，会增加其负荷，导致其歪斜或卡住，从而增加发生反冲或磨具损坏的可能性。
- ▶ 远离旋转的切割砂轮前后区域。如果您没能控制住工件中的切割砂轮，在发生反冲的情况下带着旋转的砂轮的电动工具可能会直接撞向您。
- ▶ 当切割砂轮被夹住或当您中断工作时，请关闭电动工具并握住电动工具不动，直到砂轮完全停止转动。切勿尝试将还在旋转的切割砂轮从切口中拔出，否则可能产生反冲力。查找并采取正确的纠正措施消除砂轮夹住的原因。
- ▶ 只要砂轮还在工件中，就不要再再次开启电动工具。先让切割砂轮达到全速，然后再小心地继续切割。否则可能会导致砂轮歪斜、从工件中跳出或发生反冲。
- ▶ 支撑住板件或大型工件，以避免由于切割砂轮夹住而导致反冲的危险。大型工件在其自身重量下可能会下垂。必须在砂轮两侧支撑住工件，既包括在切线附近也包括在边缘上。
- ▶ 对现有墙壁或其它盲区执行切入式锯割时格外小心。如果切割砂轮在切入式锯割过程中切入燃气管道或水管、电线或其它物体，则会发生反冲。
- ▶ 切勿尝试切割曲线。如果切割时对切割砂轮施加的压力过大，会增加其负荷，导致其歪斜或卡住，从而增加发生反冲或磨具损坏的可能性并可能导致严重的人身伤害。

## 有关砂纸打磨的特殊安全说明：

- ▶ 仅使用尺寸合适的砂纸。请遵守制造商给出的砂纸尺寸信息。如果砂纸凸出磨垫太多，可能会导致人身伤害并导致卡住、砂纸破碎或反冲。

## 有关抛光的特别安全说明：

- ▶ 确保抛光罩上没有松动部件，尤其是固定绳。放好固定绳并将其缩短。松散的一同旋转的固定绳可能会缠住您的手指或卷入工件。

## 有关钢丝刷光的特殊安全说明：

- ▶ 注意，即使在常规使用期间钢丝刷也会损失钢丝。请不要对钢丝施加过大的压力。脱落的钢丝可以很容易地刺入单薄衣物和/或皮肤。





- ▶ 如果规定要使用防护罩，请避免防护罩与钢丝刷发生接触。由于下压力和离心力，钢丝盘或刷头的直径可能会变大。

## 2.3 附加安全说明

### 人身安全

- ▶ 只有产品和附件处于良好的技术状态时才能使用。
- ▶ 切勿以任何方式擅自改动或改装本产品或附件。
- ▶ 应始终用双手抓握手柄部分稳稳握住产品。保持手柄干燥、清洁和没有油脂。
- ▶ 如果在没有除尘装置的情况下使用本产品，进行会产生灰尘的工作时应使用轻型呼吸防护罩。
- ▶ 适当休息并活动手指，以改善手指的血液循环。工作期间长时间暴露于强烈振动环境中可能导致手指、手掌和手腕部位血管和神经系统紊乱。
- ▶ 请勿触摸旋转部件。当产品处于工作区域内时才开机。接触旋转部件，特别是旋转的工具，会导致伤害。
- ▶ 直至产品完全停止才可将其放下。
- ▶ 本产品不得由未接受特殊培训的身体虚弱的人员使用。将产品放到儿童接触不到的地方。
- ▶ 磨削、抛光、切割和钻孔过程中产生的粉尘可能包含有害化学物质。一些例子包括：铅或铅基涂料；砖、混凝土、其他砖石产品、天然石材和其他含硅酸盐的产品；一些木材，例如橡木、山毛榉和化学处理过的木材；石棉或含石棉的材料。根据所处理材料的危险等级，确定操作员和附近人员的暴露程度。采取必要的措施将暴露保持在安全水平内，例如使用集尘系统或佩戴适当的呼吸防护装置。减少暴露的一般措施包括：
  - ▶ 在通风良好的区域进行操作，
  - ▶ 避免长时间接触粉尘，
  - ▶ 清除脸部和身上的粉尘，
  - ▶ 穿着防护服并用肥皂和水清洗暴露的部位。
- ▶ 在产品使用期间，用户及附近逗留人员佩戴必须佩戴护目镜、防护头盔和听力防护装置。
- ▶ 在更换配套工具时佩戴防护手套。触碰配套工具会导致割伤和烫伤。
- ▶ 工具和/或附件掉落会带来人身伤害的危险。开始工作前请检查电池和安装的附件是否已牢牢固定。
- ▶ 始终保持通风孔畅通。遮盖通风孔会有火灾风险！
- ▶ 先将产品置于工作位置，然后才开机。
- ▶ 直至产品完全停止才可将其放下。
- ▶ 如果产品检测到自身在超出限制范围或电池电量耗尽的情况下运行，则电机可能无法再使工具进入制动状态。
- ▶ 不要将带钩固定在产品上。

### 谨慎操作和使用电动工具

- ▶ 必须按照制造商说明，妥善保管和操作砂轮。
- ▶ 切勿在不带防护罩的情况下使用本产品。
- ▶ 固定工件。使用台钳将工件可靠固定。这样，工件可比用手固定更稳固，而且可以腾出双手来操作本产品。
- ▶ 不得使用切割砂轮进行打磨。
- ▶ 牢固地拧紧配套工具和法兰。如果配套工具和法兰未牢固拧紧，则关闭后，配套工具可能因电机的制动作用而从轴上松脱。

### 电气安全

- ▶ 开始工作前，检查工作区域是否有隐蔽的电缆或天然气和水管。如果电缆、燃气管或水管有损坏，则产品的外部金属部件可能会导致电击或爆炸。
- ▶ 如果产品频繁加工导电材料以致于脏污，应由 Hilti 维修中心定期进行检查。不利条件下，吸附在设备表面的粉尘（特别是导电材料产生的粉尘）或湿气可能会导致电击。

### 工作场所

- ▶ 当执行需要穿透的作业时，在工件对侧采取适当的安全措施。被钻下的工件部分可能会弹出或掉落并伤害到其他人。
- ▶ 在承重墙或其他结构上开槽可能会影响结构的静力学特性，特别是当切断钢筋或承载构件时。开始工作之前，请先向负责的结构工程师、建筑师或建设项目负责人咨询。

### 有关防护罩使用的附加提示

为了规避以下风险，务必使用正确的防护罩，参见章节：“砂轮对所用设备的适用性”。

- ▶ 针对平面磨削使用带前盖的标准防护罩时，防护罩可能会接触工件，从而导致失控。
- ▶ 使用厚度超过最大允许厚度的钢丝刷时，钢丝可能会在防护罩上缠住，继而断裂。
- ▶ 如果在用磨蚀性切割砂轮切割金属时使用标准防护罩，暴露在火花、颗粒以及（砂轮断裂时的）砂轮碎片下的风险会增加。



- ▶ 带或不带前盖使用标准防护罩进行混凝土或砖石切割和磨削时，粉尘负荷加剧，产品失控继而导致反冲的风险也增大。

## 2.4 小心处理和使用电池

- ▶ 请遵守以下关于安全操作和使用锂离子电动工具电池的安全提示。若未能遵守，会导致皮肤刺激、严重的腐蚀伤、化学烫伤、火灾和/或爆炸。
- ▶ 只有电池处于良好的技术状态时才能使用。
- ▶ 请小心地处理电池，以防损坏电池和避免对健康极有害的液体泄漏！
- ▶ 严禁改装或篡改电池！
- ▶ 不要分解、挤压或焚烧电池，不要将其暴露在高于 80 °C (176 °F) 的温度条件下。
- ▶ 对于遭受过撞击或有其他损坏的电池，切勿使用或对其进行充电。定期检查电池是否有损坏的迹象。
- ▶ 切勿使用回收的或修理过的电池。
- ▶ 切勿将电池或电池供电的电动工具用作锤子。
- ▶ 切勿将电池暴露在直射的阳光下、高温、火花或明火中。可能会导致爆炸。
- ▶ 切勿用手指、工具、珠宝或其他导电物体接触电池极片。否则会损坏电池，造成财产损失和人身伤害。
- ▶ 确保电池远离雨水、潮气和液体。受潮会导致短路、漏电、燃烧、火灾或爆炸。
- ▶ 仅限使用经批准用于特定电池类型的充电器和电动工具。阅读并遵守相关操作说明中的规定。
- ▶ 不得在易爆环境中存放或使用电池。
- ▶ 如果电池发热烫手，则可能有故障。请将电池放在醒目且无火灾风险的地方，并与易燃物品保持足够距离。让电池自行冷却。如果一小时后电池仍然发热烫手，则表示存在故障。请联系 Hilti 维修中心或阅读文档“有关 Hilti 锂离子电池安全性和使用的提示”。

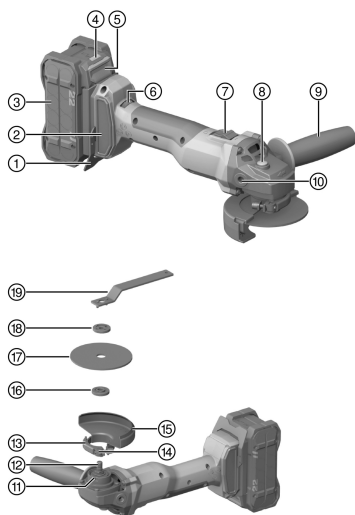


请遵守适用于锂离子电池运输、存储和使用的特殊准则。→ 页码 84

请通过扫描该操作说明末尾的二维码来阅读有关 Hilti 锂离子电池安全性和使用的提示。

## 3 说明

### 3.1 产品概览



- ① 防火花板
- ② 防尘过滤器
- ③ 电池
- ④ 电池状态指示器
- ⑤ 电池解锁按钮
- ⑥ 速度调节
- ⑦ 电源开关
- ⑧ 主轴锁止按钮
- ⑨ 侧面手柄
- ⑩ 侧面手柄螺纹孔
- ⑪ 接合的定位凸耳
- ⑫ 主轴
- ⑬ 夹紧杆
- ⑭ 调节螺钉
- ⑮ 标准防护罩
- ⑯ 夹紧法兰
- ⑰ 研磨切削盘/研磨磨削盘
- ⑱ 夹紧螺母
- ⑲ 活动扳手

### 3.2 合规使用

所述的产品为手持充电式角磨机。它设计用于切削和磨削金属和矿物材料，以及执行刷光和砂纸磨光加工，所有操作都不使用水。它可仅用于干式磨削/切削。




- 本产品只能与 Hilti Nuron B 22 系列锂离子电池搭配使用。为确保最佳功率，Hilti 建议为本产品使用该操作说明末尾表格中给出的电池。
- 此类电池仅限使用该操作说明末尾表格所规定型号系列的 Hilti 充电器充电。

### 3.3 供货范围

角磨机、侧面手柄、标准防护装置、前盖、夹紧法兰、夹紧螺母、插销扳手、防尘过滤器、操作说明。  
经批准可以与本产品搭配使用的其他系统产品，可以在您当地的 [www.hilti.group](http://www.hilti.group) 购买或访问 Hilti Store 在线订购


### 3.4 ATC

本产品配备 Active Torque Control (ATC) 快速电子切断装置。  
若配套工具抱死或夹住，本产品将会突然不受控地以相反的方向旋转。ATC 可探测到产品的突然旋转运动，并立即关闭产品。

 为了 ATC 正常工作，产品必须可自由旋转。  
执行 ATC 切断后，先关闭然后再开启产品。


### 3.5 电机保护功能

电机保护功能用于监视电流消耗和电机温度，并可防止产品过热。  
如果因施加过高的工作压力而使电机过载，则产品的性能明显降低或可能完全停止。

 如果电动工具因过载而停止或明显减速，则释放对产品施加的压力，然后使其空载运行约 30 秒。

### 3.6 集成制动器

集成制动器可缩短配套工具关闭后停止转动所需的时间。

 只有将本产品连接至电源，该功能才能正确运行。  
根据所选配套工具，制动时间有所不同。

### 3.7 前盖 2

针对下列用途，请使用标准护罩和前盖：

- 使用直型粗磨砂轮进行粗磨
- 使用切割砂轮进行切割

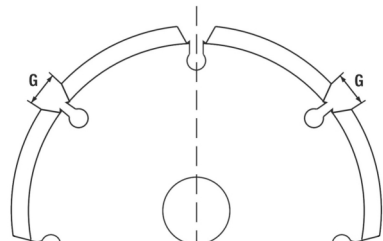
### 3.8 DG-EX 100/4" 磨削用防尘罩 (配件) 2

该磨削系统只能偶尔与金刚石杯形砂轮一起用于磨削矿物材料。  
当对金属进行作业时，不允许使用该防护装置。

### 3.9 适用金刚石开槽盘的尺寸和规格

金刚石开槽盘的尺寸和规格必须满足以下要求。

技术数据	
扇段之间的槽宽 (G)	≤ 10 mm
切割角度	负角度



### 3.10 锂离子电池指示灯

Hilti Nuron 锂离子电池可以显示电池的充电状态、出错信息和状态。



### 3.10.1 充电状态和出错信息的显示



人身伤害的危险！ 电池掉落的风险！

▶ 在插入电池的情况下按下解锁按钮后，确保将电池重新正确锁定在所用的产品中。

请短暂按压电池的解锁按钮，以获得下列指示灯指示之一。

只要连接的产品已接通，便会持续显示充电状态和可能的故障。

状态	含义
四个 (4) LED 灯持续亮起绿光	充电状态：100 % 至 71 %
三个 (3) LED 灯持续亮起绿光	充电状态：70 % 至 51 %
两个 (2) LED 灯持续亮起绿光	充电状态：50 % 至 26 %
一个 (1) LED 灯持续亮起绿光	充电状态：25 % 至 10 %
一个 (1) LED 灯缓慢闪绿光	充电状态：< 10 %
一个 (1) LED 灯快速闪绿光	锂离子电池电量耗尽。为电池充电。 如果在为电池充电后 LED 灯始终快速闪烁，请联系 Hilti 维修中心。
一个 (1) LED 灯快速闪黄光	锂离子电池或与其相连的产品过载、过热、过冷或存在其他故障。 使产品和电池达到建议的工作温度，并且在使用时不要使产品过载。 如果信息仍然存在，请联系 Hilti 维修中心。
一个 (1) LED 灯亮起黄光	锂离子电池和连接的产品不兼容。请联系 Hilti 维修中心。
一个 (1) LED 灯快速闪红光	锂离子电池被锁定且无法继续使用。请联系 Hilti 维修中心。

### 3.10.2 电池状态的显示

如要检查电池状态，请按住解锁按钮三秒钟以上。系统未检测到由于掉落、刺穿、外部热损坏等错误使用而引起的电池潜在故障。

状态	含义
所有 LED 灯都作为运行灯亮起，接着有一个 (1) LED 灯持续亮绿光。	电池可以继续使用。
所有 LED 灯都作为运行灯亮起，接着有一个 (1) LED 灯快速闪黄光。	未能完成电池状态的查询。请重复该过程或联系 Hilti 维修中心。
所有 LED 灯都作为运行灯亮起，接着有一个 (1) LED 灯持续亮红光。	如果仍然可以继续使用所连接的产品，则电池剩余电量不足 50%。 如果无法再使用所连接的产品，则电池的使用寿命即将结束，应予以更换。请联系 Hilti 维修中心。

## 4 消耗品

仅允许使用由合成树脂粘合的纤维增强砂轮，允许使用的旋转速度至少为 11500 rpm，圆周速度为 80 m/s。

**注意！** 使用研磨切割盘切割或开槽时，请务必使用带附加前盖的标准防护装置，或完全封闭的防尘罩。

砂轮

类型	应用场合	名称	材料	最大厚度	最大直径
磨蚀性切割砂轮	切削、开槽	AC-D	金属	2.5 mm	100 mm
金刚石切割砂轮	切削、开槽	DC-TP, DC-D (SPX, SP, P)	矿物	3 mm	100 mm
磨蚀性粗磨砂轮	粗磨	AG-D, AF-D, AN-D	金属	6.4 mm	100 mm
金刚石粗磨砂轮	粗磨	DG-CW (SPX, SP, P)	矿物	-	100 mm



类型	应用场合	名称	材料	最大厚度	最大直径
钢丝刷	钢丝刷	3CS, 4CS, 3SS, 4SS	金属	- 27 mm	75 mm 100 mm
纤维砂轮	粗磨	AP-D	金属	-	100 mm

#### 砂轮与所用装备的对应

编号	装备	AC-D	AP-D	AG-D、 AF-D、 AN-D	DG-CW (SPX、 SP、P)	DC-TP、 DC-D (SPX、 SP、P)	3CS、 4CS、 3SS、 4SS、 DD-M14
A	防护罩 (标准)	✓	✓	✓	✓	✓	✓
B	前盖 (与 A 搭配)	✓	—	—	—	✓	—
C	防尘罩 (磨削) DG-EX 100/4"	—	—	—	✓	—	—
D	侧面手柄 (标准)	✓	✓	✓	✓	✓	✓
E	夹紧螺母 (标准)	✓	—	✓	✓	✓	—
F	夹紧法兰 (标准)	✓	—	✓	✓	✓	—
G	夹紧螺母 (纤维砂轮)	—	✓	—	—	—	—
H	支撑垫 (纤维砂轮)	—	✓	—	—	—	—

## 5 技术数据

AG 4S-22-100	
额定电压	21.6 V
额定转速	8,500 rpm
砂轮最大直径	104.9 mm
重量不包括电池 (按照 EPTA 程序 01)	1.9 kg
驱动主轴螺纹	10
主轴长度	16 mm
适合工作的环境温度	-17 °C ... 60 °C (1 °F ... 140 °F)
存放温度	-20 °C ... 70 °C (-4 °F ... 158 °F)

### 5.1 电池

电池工作电压	21.6 V
电池重量	参见操作说明结尾
适合工作的环境温度	-17 °C ... 60 °C (1 °F ... 140 °F)
存放温度	-20 °C ... 40 °C (-4 °F ... 104 °F)
电池充电起始温度	-10 °C ... 45 °C (14 °F ... 113 °F)

### 5.2 噪音信息和振动值按照 62841-2-3:2021 标准

这些说明中给出的声压和振动值按照标准化测试的要求测得，可用于比较一种电动工具与另一种电动工具。它们可用于进行初步暴露评估。

提供的数据代表本电动工具的主要应用。但是，如果将电动工具用于不同的应用、使用不同的配套工具或维护不良，则数据可能不同。这可能会显著增加操作者在整个工作期间受振动影响的程度。

对受振动影响程度的准确估计还应考虑当关闭电动工具或当它运行但实际未进行工作时情况。这可能会显著减小操作者在整个工作期间受振动影响的程度。



此外，应确定附加安全措施，以保护操作者免受噪音和/或振动影响，例如：正确维护电动工具和配套工具、保持双手温暖、合理安排工作方式。

磨削薄金属板或其他略带振动的大表面结构时可能发出高于规定的噪音排放值的噪音。您可以通过采取降噪措施来降低由此产生的噪音，例如安装较重且灵活的隔音垫。在对噪音暴露和选择合适的护耳装置进行危险评定时，务必将这些升高的数值考虑在内。

#### 噪音信息

	AG 4S-22-100
排放声压级 ( $L_{pA}$ )	84 dB(A)
声压级的不确定系数 ( $K_{pA}$ )	3 dB(A)
声功率级 ( $L_{WA}$ )	92 dB(A)
声功率级的不确定系数 ( $K_{WA}$ )	3 dB(A)

#### 振动信息

切割等其它应用的振动值可能会有所偏差。

		AG 4S-22-100
表面打磨 ( $a_n, a_{G}$ )	B 22-55	4.4 m/s <sup>2</sup>
	B 22-255	3.7 m/s <sup>2</sup>
不确定系数 (K)		1.5 m/s <sup>2</sup>

## 6 工作现场的准备工作

### -警告-

人身伤害的危险！意外启动的风险！

- ▶ 插入电池前，确保已关闭产品。
- ▶ 对电动工具执行任何调节或更换配件前，先取出电池。

请遵守本文档中以及产品上的安全说明和警告。

### 6.1 给电池充电

1. 为电池充电之前，请阅读充电器的操作说明。
2. 确保电池和充电器上的触点均清洁、干燥。
3. 使用认可的充电器为电池充电。→ 页码 76

### 6.2 插入电池

### -警告-

人身伤害的危险！短路或电池掉落会带来人身伤害的危险！

- ▶ 装入电池之前，确保电池和产品上的触点上均无异物。
- ▶ 确保电池接合正确。

1. 在首次使用电池之前，要给电池完全充电。
2. 将电池推入产品，直至听到卡止声。
3. 检查并确认电池已可靠就位。

### 6.3 拆下电池

1. 按下电池释放按钮。
2. 从产品中取出电池。

### 6.4 安装 Hilti 保险带 (选装)

使用本产品时，必须遵守有关高空作业的国家规定。  
注意保险带的操作说明。

1. 将保险带的两个凸耳准确地放在防火花板上。
2. 用相应的螺栓穿过防火花板上预留的开孔固定住保险带。



3. 装入电池。→ 页码 80

## 6.5 防坠落装置

### -警告-

人身伤害的危险 会带来人身伤害的危险！

- ▶ 请只是用为您的产品推荐的 Hilti 工具绳索。
- ▶ 在使用前请检查工具绳索的固定点有无损坏。



注意高空作业的国家法规。

请仅使用 Hilti 保险带 #2293133 和 Hilti 工具挂绳 #2261970 作为本产品的防坠落保护装置。

- ▶ 将保险带固定到附件的安装孔中。检查是否已牢固固定。
- ▶ 将工具挂绳的一个弹簧钩固定到保险带上，另一个弹簧钩固定到支撑结构上。检查两个弹簧钩是否已牢固固定。



请遵守 Hilti 保险带以及 Hilti 工具挂绳的操作说明。

## 6.6 安装侧面手柄

- ▶ 将侧面手柄拧入为其准备的一个螺纹套中。

## 6.7 安装或拆卸防护罩

### -小心-

人身伤害的危险。配套工具可能会发烫或边缘很锋利。

- ▶ 安装、拆卸或调节配套工具或其他部件时以及执行故障排除时，戴上防护手套。

- ▶ 遵守适用的防护罩的安装说明。

### 6.7.1 安装标准防护装置



防护装置已键合，确保仅可安装适用于本产品的防护装置类型。键合定位凸耳也可防止防护装置接触到工具。

1. 打开夹紧杆。
2. 将防护装置安装到心轴凸缘上，从而使楔形定位凸耳接合在提供的凹槽中。
3. 将防护装置旋转至所需的位置。
4. 通过闭合夹紧杆紧固防护装置。



防护装置已通过调节螺钉预设为正确的夹紧直径。如果安装了防护罩后夹持力过低，则可以通过略微拧紧调节螺钉来增大夹紧力。

### 6.7.2 调节标准防护装置

1. 打开夹紧杆。
2. 将防护装置旋转至所需的位置。
3. 通过闭合夹紧杆紧固防护装置。

### 6.7.3 拆下标准防护装置

1. 打开夹紧杆。
2. 旋转防护装置，直至楔形定位凸耳与楔形定位凹槽对准，然后拆卸防护装置。

## 6.8 安装或拆卸前盖



标准防护装置上的前盖必须就位。



1. 定位标准防护装置上的前盖，使其闭合侧朝上。
  - ▶ 锁具必须接合(发出“咔哒”声)。
2. 需要拆除时，应打开前盖上的锁具。
3. 将前盖从标准防护装置上拆下。

## 6.9 安装和拆卸配套工具



-小心-

人身伤害的危险。配套工具可能过热。

- ▶ 更换配套工具时，戴上防护手套。



当切削或磨削性能明显降低时，必须更换金刚石砂轮。当金刚石段的高度小于 2 mm 时，通常需要这样做。

当切削性能明显降低或角磨机的其它部件(砂轮以外)接触到被加工材料时，必须更换其它砂轮型号。当砂轮达到有效期限后，必须将其更换。

### 6.9.1 安装配套工具



-警告-

人身伤害的危险。配套工具可能因电机的制动作用而松脱。

- ▶ 先等待配套工具停止，然后才能触摸或握住配套工具或夹紧螺母。
- ▶ 通过牢固拧紧夹紧法兰和夹紧螺母来固定配套工具，以免部件因电机的制动作用而从主轴上松脱。

1. 将夹紧法兰安装到主轴上。
2. 安装配套工具。
3. 拧上与所述安装配套工具类型对应的夹紧螺母。
4. 按下主轴锁止按钮并保持住。
5. 使用活动扳手可靠拧紧夹紧螺母，然后松开主轴锁止按钮并取下扳手。

### 6.9.2 拆卸配套工具



-警告-

破裂和不可修复的损坏风险。如果在主轴正在旋转时按下主轴锁止按钮，配套工具可能从电动工具上脱开。

- ▶ 只有主轴停止旋转后，才可按下主轴锁止按钮。

1. 按下主轴锁止按钮并保持住。
2. 放上活动扳手并逆时针转动，以松开夹紧螺母。
3. 松开主轴锁止按钮，然后拆下配套工具。

### 6.9.3 安装钢丝刷

1. 安装侧面手柄。→ 页码 81
2. 安装标准防护罩。
3. 将钢丝刷放入位，并将其拧紧至手紧程度。
4. 按下主轴锁止按钮并保持住。
5. 用适当的开口扳手拧紧钢丝刷。
6. 然后释放主轴锁止按钮并拆下开口扳手。

### 6.9.4 安装纤维砂轮

1. 安装侧面手柄。→ 页码 81
2. 安装标准防护罩。
3. 安装支撑板和树脂纤维磨盘，拧上夹紧螺母并将其牢固拧紧。
4. 按下主轴锁止按钮并保持住。
5. 使用插销扳手拧紧夹紧螺母。
6. 释放主轴锁止按钮并取下扳手。





## 7 操作

### 7.1 打开

1. 按下“打开/关闭”开关的后部。
2. 向前滑动“打开/关闭”开关。
  - ▶ 电机运行。
3. 锁定“打开/关闭”开关。

### 7.2 磨削

#### -警告-

人身伤害的危险。配套工具可能会突然卡住或停止。

- ▶ 应始终在已安装侧面手柄的情况下使用本产品，并用双手牢牢握住产品。

请勿让配套工具卡住，并要避免对产品施加过度压力。

### 7.3 切割

- ▶ 切割时施加适度的进给压力，不要倾斜产品或切割砂轮 (工作位置与切割面近似垂直)。



当切割型材和小方管时，为了获得最佳结果，让切割砂轮从最小的横截面开始切割。

### 7.4 粗磨

#### -警告-

人身伤害的危险。切割砂轮可能破裂，飞溅的碎片可能造成伤害。

- ▶ 切勿使用切割砂轮进行粗磨。

- ▶ 来回移动本产品，同时保持  $5^\circ - 30^\circ$  的冲角并施加适度的压力。
  - ▶ 这将避免工件过热和变色，并且有助于确保均匀的表面质量。

### 7.5 关闭

- ▶ 按下“打开/关闭”开关的后部。
  - ▶ “打开/关闭”开关跳到关闭位置，电机停止。

## 8 维护和保养

#### -警告-

插入电池时存在人身伤害危险！

- ▶ 执行维护和保养任务之前，请务必先取出电池。

#### -危险-

因保护绝缘故障而受到电击。在极端条件下对金属进行作业时，导电性粉尘 (例如金属、碳纤维) 会积聚在电动工具内部，从而对保护绝缘产生负面影响。

- ▶ 在极端条件下工作时，使用固定除尘系统。
- ▶ 频繁地清洁通风口。

#### 工具的保养

- 请小心地清除顽固污渍。
- 请仅使用微湿的抹布清洁外壳。不要使用含硅清洁剂，否则可能腐蚀塑料件。
- 用干燥干净的布清洁产品触点。

#### 锂离子电池的保养

- 切勿使用通风槽堵塞的电池。用干燥的软毛刷小心地清洁通风槽。



- 避免不必要地将电池暴露在粉尘或污垢中。切勿将电池暴露在高湿度的环境中 (例如将其浸在水中或放在雨中)。如果电池浸湿, 请如处理损坏的电池那样对其进行处理。将其隔离在不可燃的容器中, 然后联系 Hilti 维修中心。
- 确保电池远离外来油脂。切勿让不必要的粉尘或脏污积聚在电池上。用干燥的软毛刷或干燥干净的布清洁电池。不要使用含硅清洁剂, 否则可能腐蚀塑料件。不要触摸电池触点, 不要清除出厂时涂抹在触点上的油脂。
- 请仅使用微湿的抹布清洁外壳。不要使用含硅清洁剂, 否则可能腐蚀塑料件。

#### 维护

- 定期检查所有可见部件和控制器是否出现损坏迹象, 确保其全部正常工作。
- 如果发现产品有损坏和/或有功能故障, 请不要使用。立即将本产品交给 Hilti 维修中心修复。
- 清洁和维护之后, 安装所有护板或保护装置并检查其功能是否正常。

为确保安全和可靠的操作, 仅使用喜利得原装条件和消费品。经 Hilti 许可与产品搭配使用的备件、耗材和附件可到您当地的 Hilti Store 购买或访问: [www.hilti.group](http://www.hilti.group)

## 9 电池型工具和电池的运输及存储

### 运输



-小心-

#### 运输途中的意外启动!

- ▶ 运输产品前务必将电池取出!
- ▶ 取下电池。
- ▶ 切勿松散、未加保护地运输电池。在运输过程中, 应保护电池免受过度冲击或振动影响, 并将其与任何导电材料或其它电池分开 (因为它们可能会接触到电池端子并导致短路)。请遵守当地的电池运输规定。
- ▶ 请勿以邮寄方式运送电池。有关如何运送完好电池的说明, 请咨询您的发货商。
- ▶ 每次使用前以及长时间运输前后都要检查产品和电池是否损坏。

### 存放



-警告-

#### 故障或泄漏的电池会导致意外损坏!

- ▶ 仅可在未插入电池的情况下存放产品!
- ▶ 请将产品和电池存放至凉爽干燥的地方。请遵守技术数据中规定的温度极限值。
- ▶ 请勿将电池存放在充电器中。充电过程结束后请始终将电池从充电器中取出。
- ▶ 切勿将电池存放在阳光下、热源上或玻璃后。
- ▶ 请将本产品和电池存放在儿童或非授权人员无法接近的位置。
- ▶ 每次使用前以及长时间存放前后都要检查产品和电池是否损坏。

## 10 故障排除

出现任何故障时, 都应注意电池充电状态和故障指示灯。参见锂离子电池指示灯一章。

如果您碰到的问题未在此表中列出或您无法自行排除, 请联系 Hilti 维修中心。

故障	可能原因	解决方案
本产品不能打开。	电池放电。	▶ 更换电池, 并对已放电电池充电。
电池比平常更快耗尽。	环境温度非常低。	▶ 让电池缓慢加热到室温。
电池未接合 (没有发出咔哒声)。	电池上的固定凸耳脏污。	▶ 清洁固定凸耳, 然后重新安装电池。
角磨机或电池变得非常热。	电气故障	▶ 立刻关闭产品, 取下电池, 进行观察, 使其冷却并联系 Hilti 维修中心。
	通风槽堵塞	▶ 定期清洁通风槽。
电机没有制动作用。	电池放电。	▶ 更换电池, 并对已放电电池充电。
	产品暂时过载。	▶ 关闭产品然后再次打开。




## 11 废弃处置

---

### -警告-

废弃处理不当会有人身伤害的危险！漏出的气体或液体会带来健康危害。

- ▶ 不得通过邮寄方式发送任何电池。
  - ▶ 用非导电材料 (比如绝缘带) 包住端子，以防止短路。
  - ▶ 在儿童接触不到的地方处置电池。
  - ▶ 请将电池送交 **Hilti Store** 处置，或咨询当地的废弃处理机构以获取处置说明。
- 

 制造 **Hilti** 产品所用的大部分材料都可回收利用。在可以回收之前，必须正确分离材料。**Hilti** 在很多国家都提供旧工具回收服务。请咨询 **Hilti** 客户服务部门或您的销售顾问。

---



- ▶ 不要将电动工具、电子设备和电池扔进家庭垃圾中！
- 

## 12 制造商保修

---

- ▶ 如对保修条件有任何疑问，请联系您当地的 **Hilti** 代表。
- 

## 13 更多信息

---

关于操作、技术、环保和回收的更多信息请查看以下链接：  
[qr.hilti.com/manual/?id=2252233&id=2252235&id=2251374](http://qr.hilti.com/manual/?id=2252233&id=2252235&id=2251374)  
文档末尾也提供二维码链接。





# EC Declaration of Conformity | UK Declaration of Conformity



**Manufacturer:**  
**Hilti Corporation**  
Feldkircherstraße 100  
9494 Schaan | Liechtenstein

**UK Importer:**  
**Hilti (Gt. Britain) Limited**  
No. 1 Circle Square, 3 Symphony Park  
Manchester, England, M1 7FS

**AG 4S-22-100 (02) | AG 4S-22-125 (02)**

Serial Numbers: 1-9999999999

2006/42/EC | Supply of Machinery (Safety) Regulations 2008

2014/30/EU | Electromagnetic Compatibility Regulations 2016

2014/35/EU | Electrical Equipment (Safety) Regulations 2016

2011/65/EU | The Restriction of the Use of Certain Hazardous Substances in Electrical and Electronic Equipment Regulations 2012

EN 62841-1:2015,  
AC:2015, A11:2022

EN IEC 55014-1:2021

EN IEC 62841-2-3:2021/A11:2021

EN IEC 55014-2:2021

**Dr. Tahar Zrilli**  
Head of Quality and Process Management  
Business Area Electric Tools & Accessories

Schaan, 18.03.2024

**Edward-Louis Przybyłowicz**  
Head of BU Power Tool & Accessories  
Business Area Electric Tools & Accessories



** NURON**

<b>B 22-55 (01)</b>	0,56 kg	1.23 lb
<b>B 22-85 (01)</b>	0,77 kg	1.70 lb
<b>B 22-110 (01)</b>	0,92 kg	2.03 lb
<b>B 22-170 (01)</b>	1,34 kg	2.95 lb
<b>B 22-255 (01)</b>	1,87 kg	4.12 lb

<b>C 4-22</b>
<b>C 6-22</b>
<b>C 8-22</b>





Hilti Corporation  
LI-9494 Schaan  
Tel.:+423 234 21 11  
Fax:+423 234 29 65  
[www.hilti.group](http://www.hilti.group)



2252235