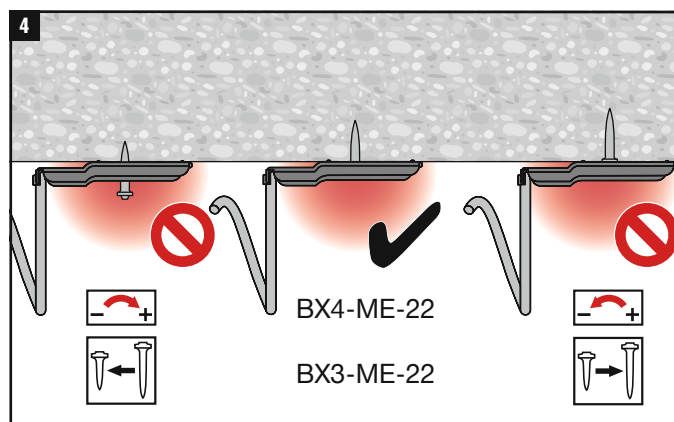
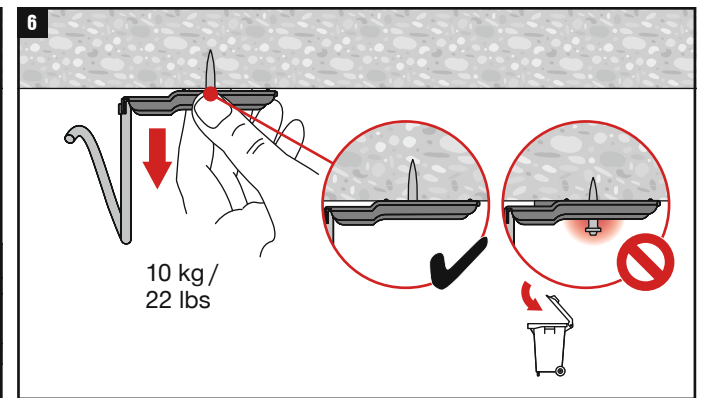
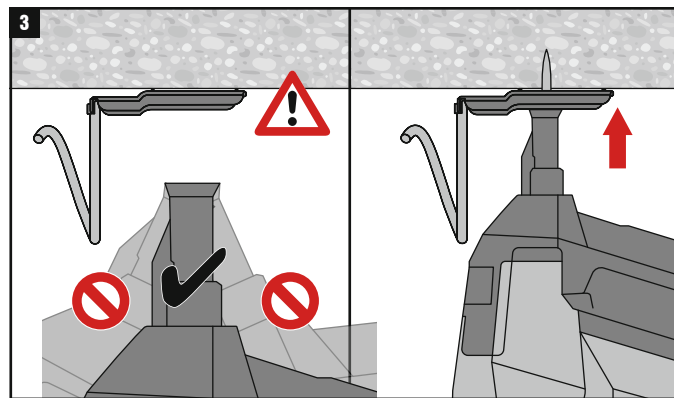
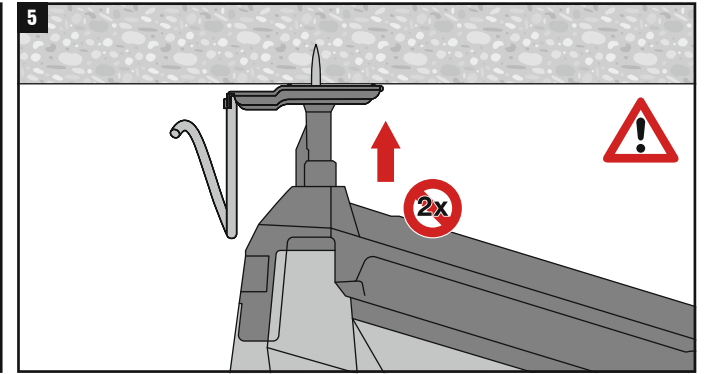
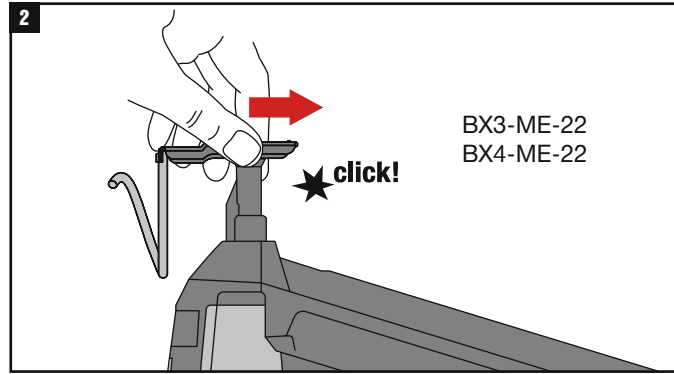
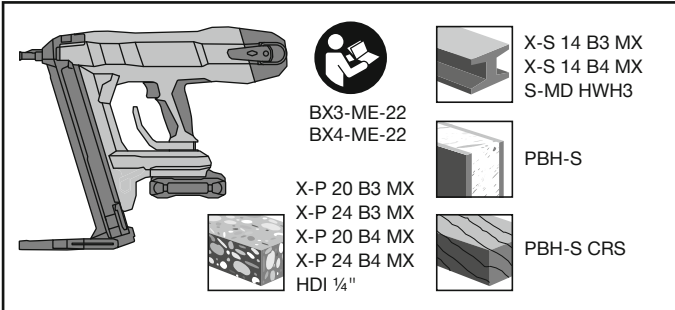
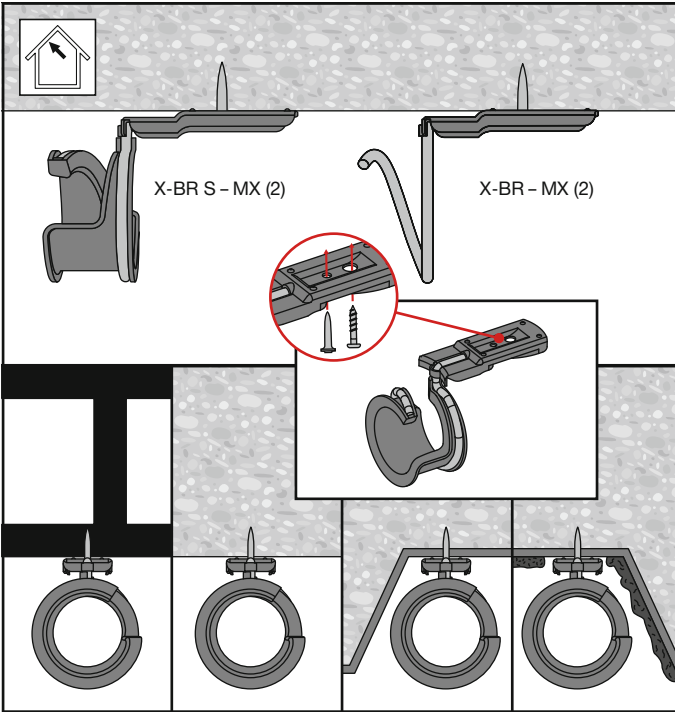


UL LISTED
 [Bridle Ring]
 E505554

Bridle ring is rated 16.6lbs, suitable for use in Air Handling Spaces (plenums) in accordance with Section 300.22 (C) and (D) of the National Electrical Code, and Rules 12-010 (3), (4), and (5), and 12-020 of the Canadian Electrical Code, Part I. Load rating corresponds with mechanical strength according to UL Standard for Hardware for the Support of Conduit Tubing and Cable, UL2239; Mounting orientation: Horizontal.



7

Cable Type	X-BR 1 1/4" MX (02)	X-BR 2" MX (02)	X-BR S 2" MX (02)
CAT 5e	-	-	37
CAT 6	-	-	30
CAT 6A	-	-	17
CAT 7A	-	-	15
MC 14-2, 14-3, 14-4, 12-2, 12-3, 12-4, 10-2, 10-3	1	3	-
FPLR, FPLP	39	60	-