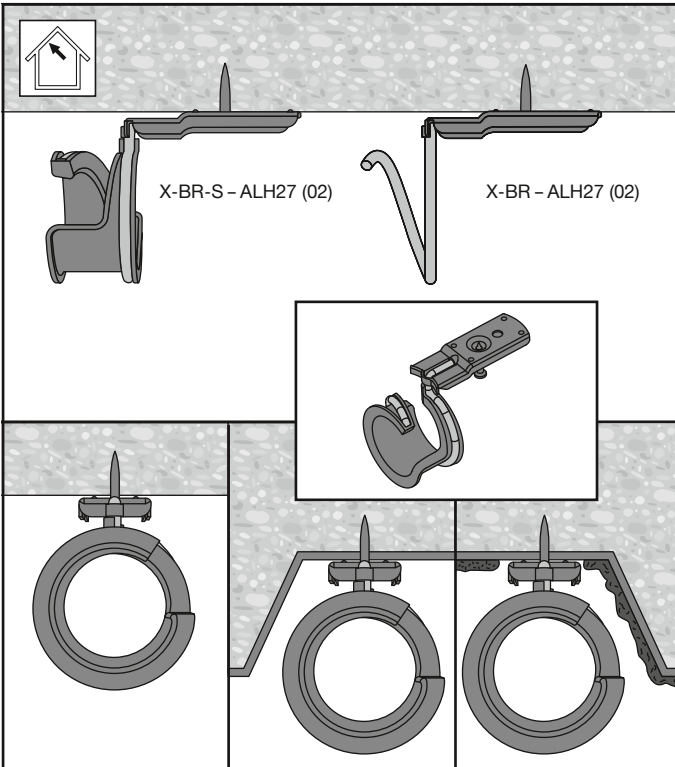
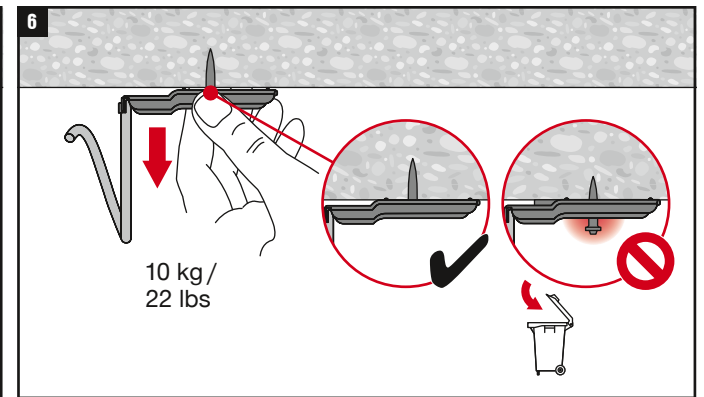
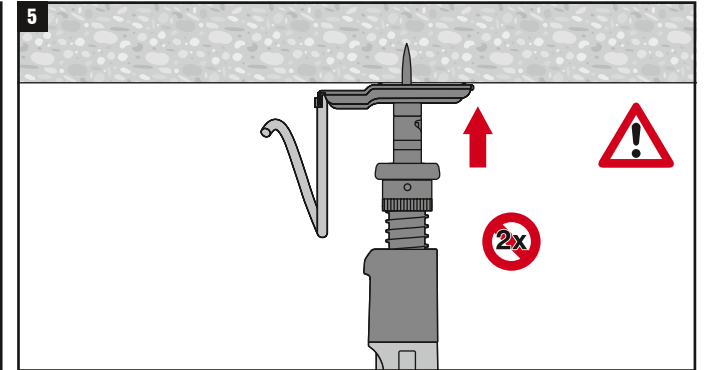
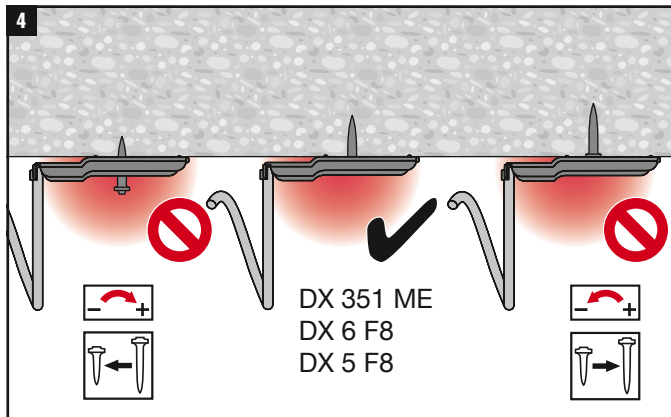
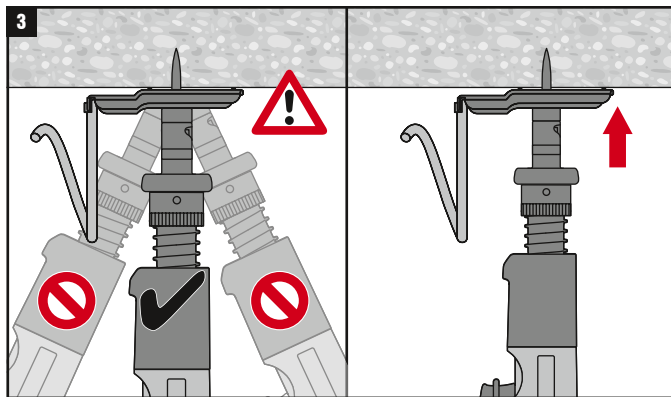
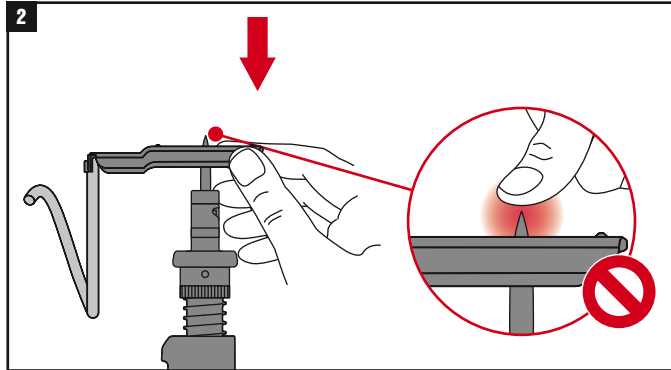


UL LISTED
 (Bridle Ring)
 E505554

Bridle ring is rated 16.6lbs, suitable for use in Air Handling Spaces (plenums) in accordance with Section 300.22 (C) and (D) of the National Electrical Code, and Rules 12-010 (3), (4), and (5), and 12-020 of the Canadian Electrical Code, Part I. Load rating corresponds with mechanical strength according to UL Standard for Hardware for the Support of Conduit Tubing and Cable, UL2239; Mounting orientation: Horizontal.



1		S-MD HWH3
DX 351-CT DX 351-ME, DX 351-ME + X-PT 351 DX 5 F8, DX 5 F8 + PT 5		PBH-S
DX 6 F8, DX 6 F8 + PT 6		PBH-S CRS



7

Cable Type	X-BR 1 1/4" ALH (02)	X-BR 2" ALH (02)	X-BR S 2" ALH (02)
CAT 5e	-	-	37
CAT 6	-	-	30
CAT 6A	-	-	17
CAT 7A	-	-	15
MC 14-2, 14-3, 14-4, 12-2, 12-3, 12-4, 10-2, 10-3	1	3	-
FPLR, FPLP	39	60	-